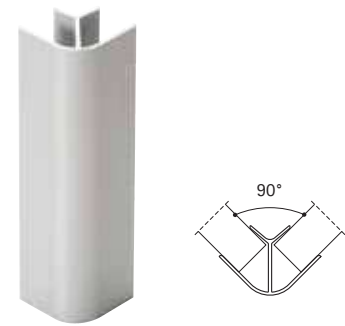
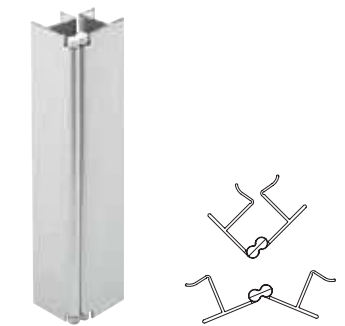


Accessori Accessories Serie 10-AL
Serie 10-CR
Serie 10-MR



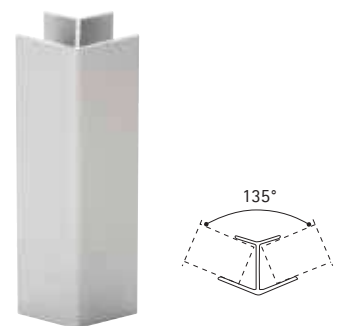
Code	↕H	pcs
	mm	
21/291R	60	100
21/291T	80	100
21/2910	100	100
21/2912	120	100
21/2914	140	100
21/2915	150	100
21/2916	160	100
21/2918	180	100

Angolo 90° A1
Corner 90° A1



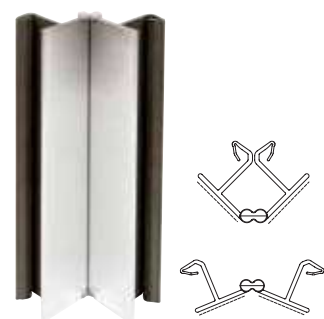
Code	↕H	pcs
	mm	
21/29DR	60	100
21/29DT	80	100
21/29D0	100	100
21/29D2	120	100
21/29D4	140	100
21/29D5	150	100
21/29D6	160	100
21/29D8	180	100

Angolo Jolly in alluminio
Jolly corner aluminum



Code	↕H	pcs
	mm	
21/29BR	60	100
21/29BT	80	100
21/29B0	100	100
21/29B2	120	100
21/29B4	140	100
21/29B5	150	100
21/29B6	160	100
21/29B8	180	100

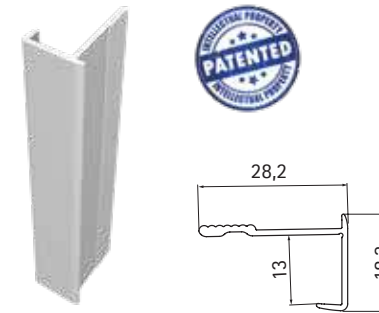
Angolo 135° AB
Corner 135° AB



Code	↕H	pcs
	mm	
21/19HR	60	100
21/19HT	80	100
21/19H0	100	100
21/19H2	120	100
21/19H4	140	100
21/19H5	150	100
21/19H6	160	100
21/19H8	180	100

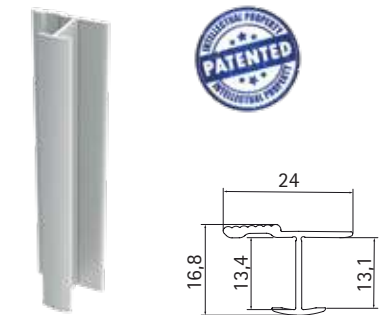
Angolo Jolly in plastica
Jolly corner of plastic

Accessori Accessories Serie 10-AL
Serie 10-CR
Serie 10-MR



Code	↕H	pcs
	mm	
21/29MT.AL	80	100
21/29M0.AL	100	100
21/29M2.AL	120	100
21/29M4.AL	140	100
21/29M5.AL	150	100
21/29M6.AL	160	100
21/29M8.AL	180	100

Terminale Easy Fit
Easy Fit terminal



Code	↕H	pcs
	mm	
21/29JT.AL	80	100
21/29JO.AL	100	100
21/29J2.AL	120	100
21/29J4.AL	140	100
21/29J5.AL	150	100
21/29J6.AL	160	100
21/29J8.AL	180	100

Joint Easy Fit
Easy Fit Joint