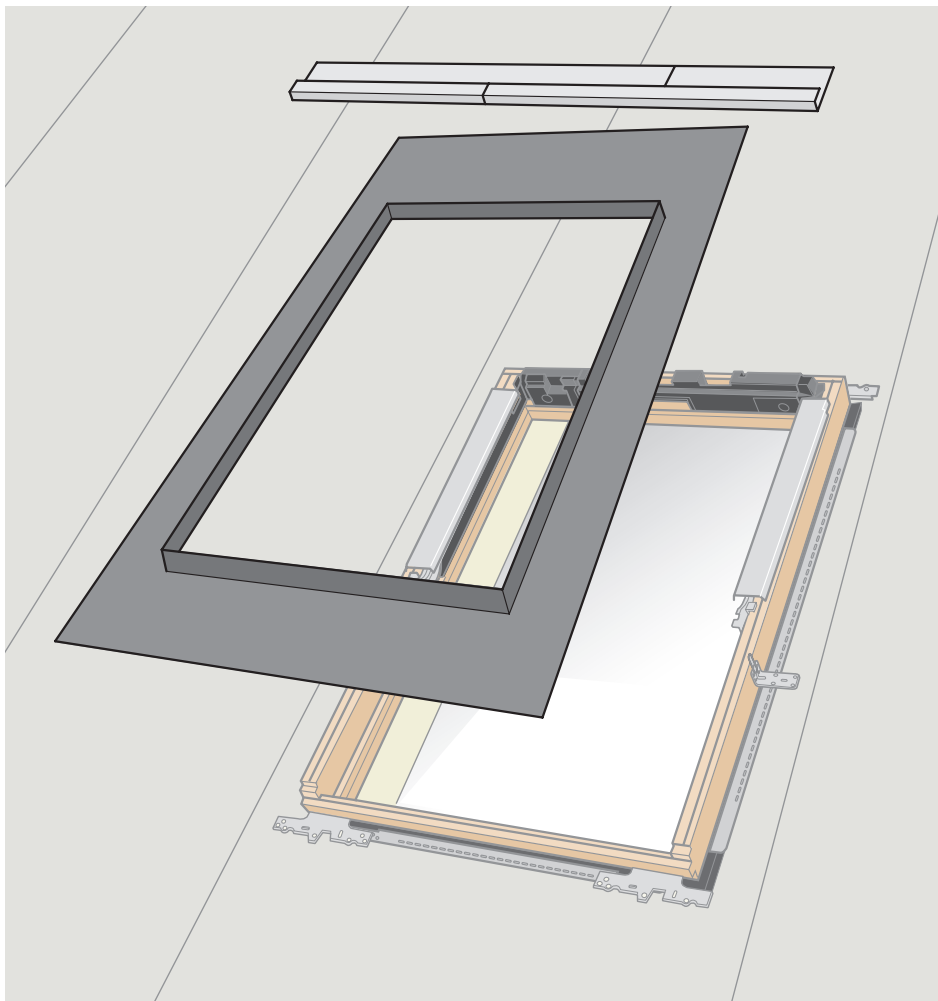
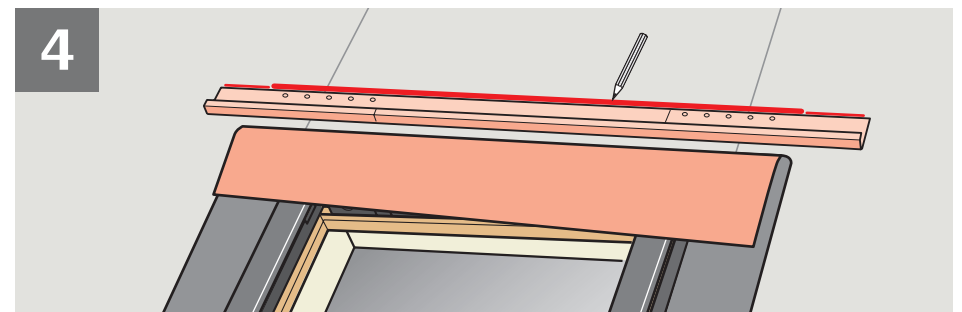
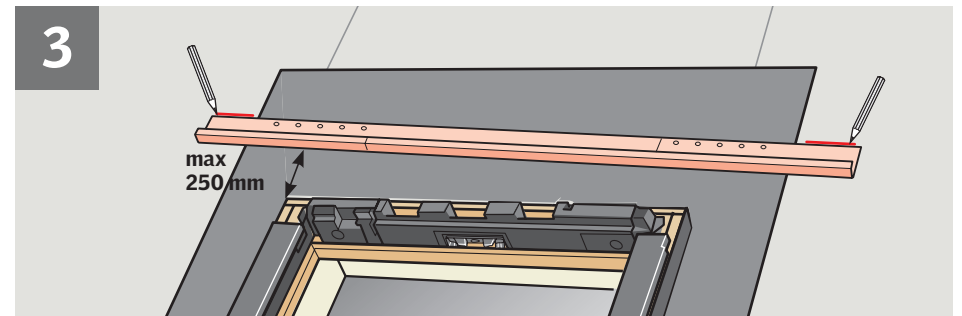
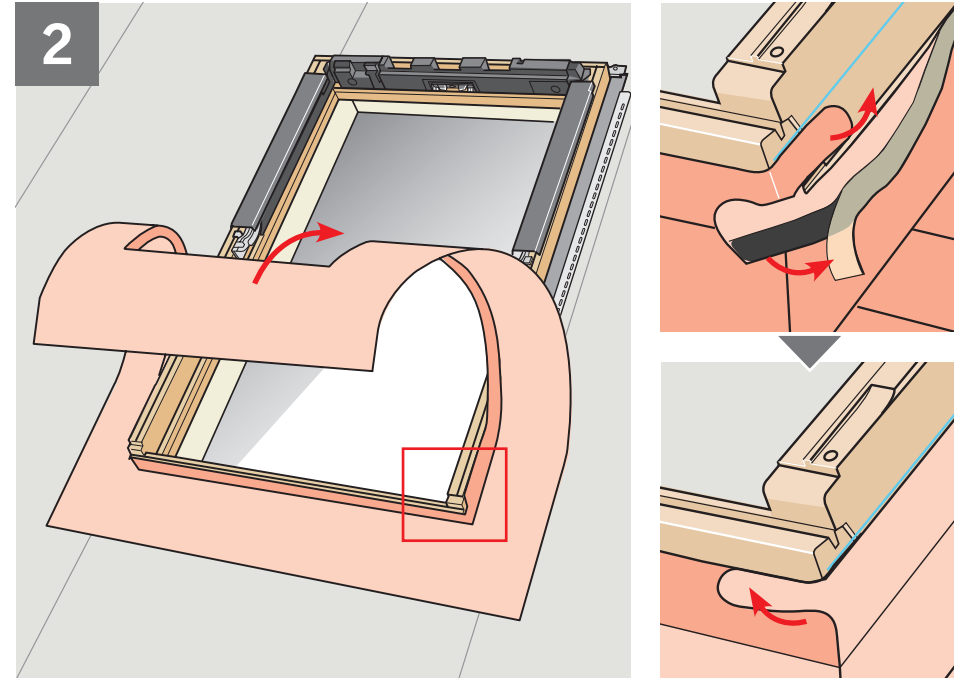
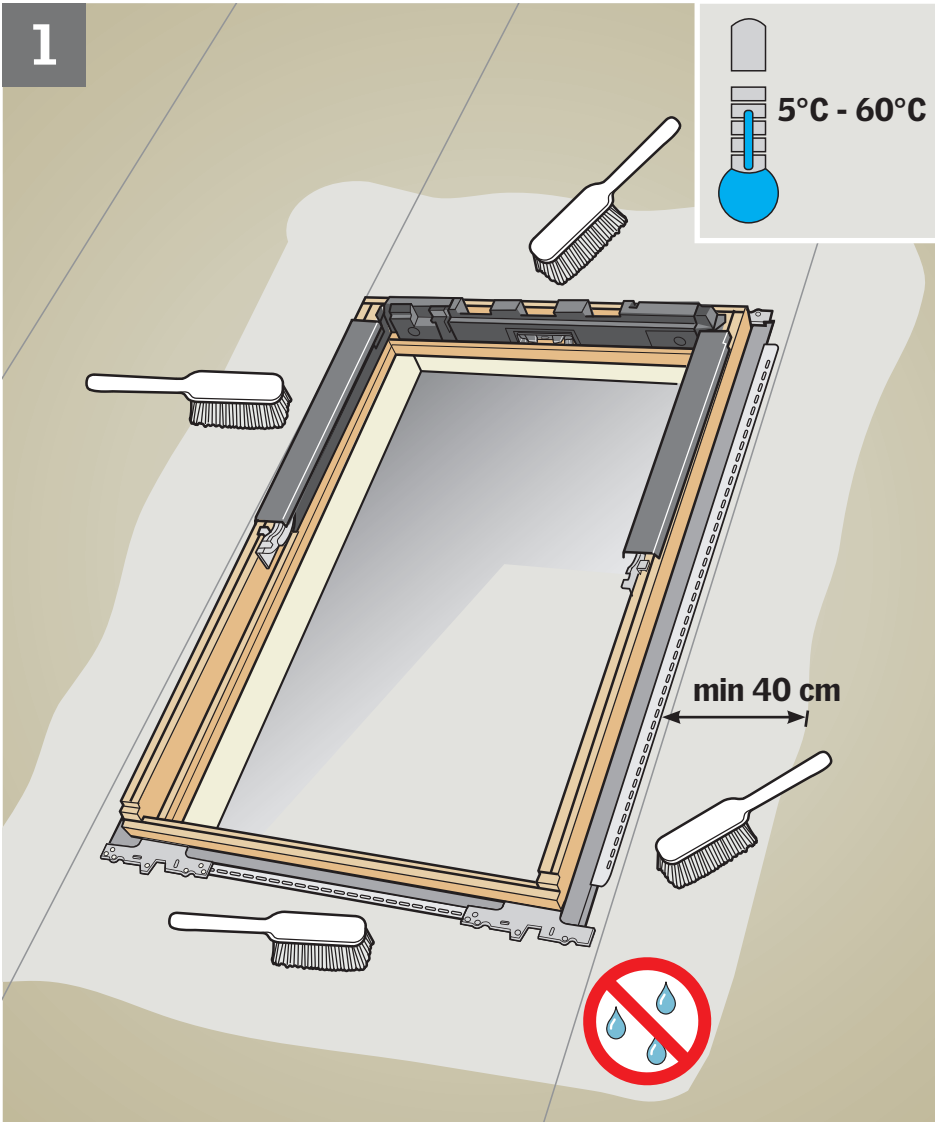
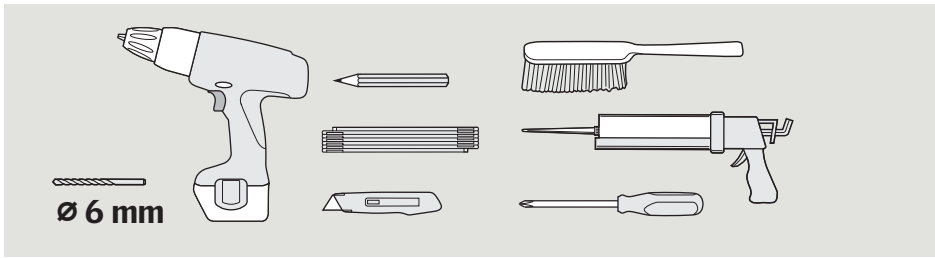
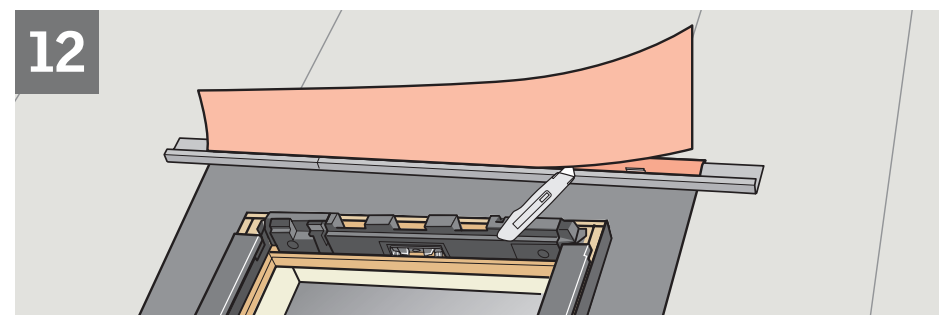
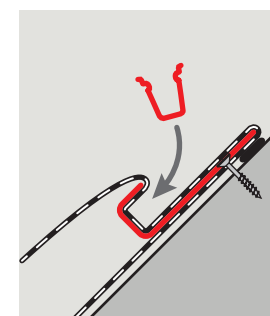
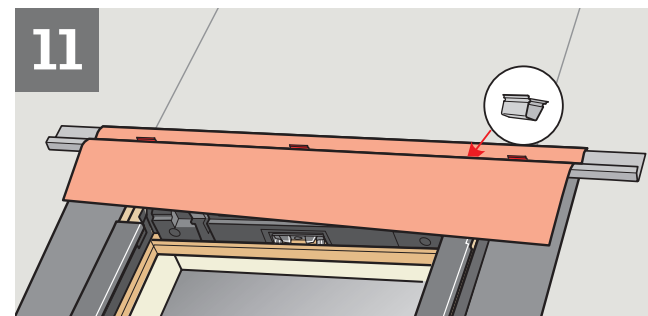
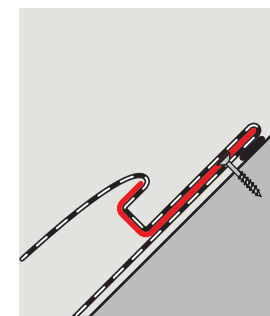
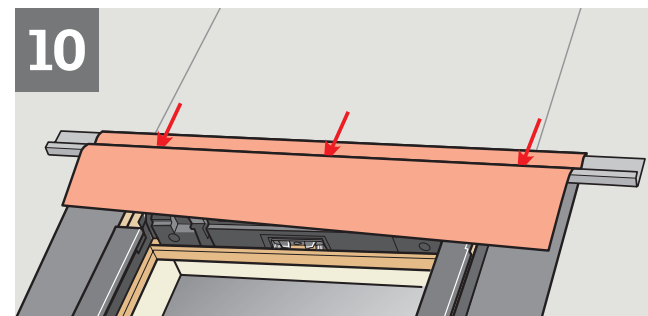
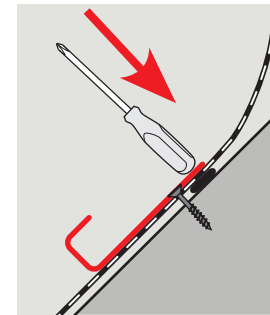
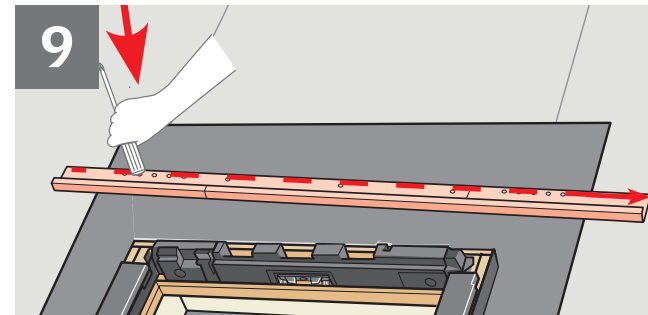
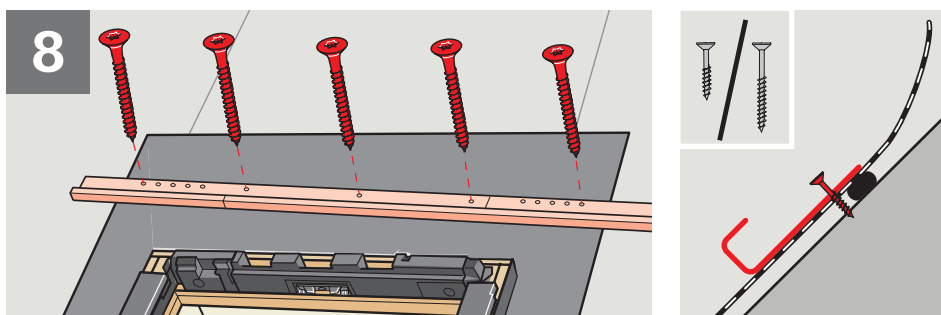
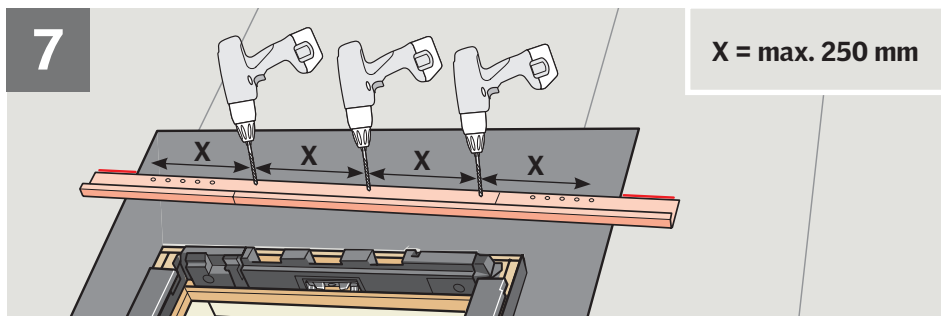
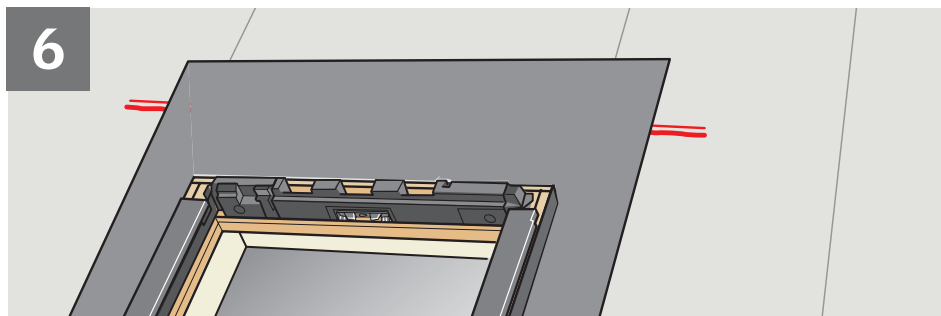
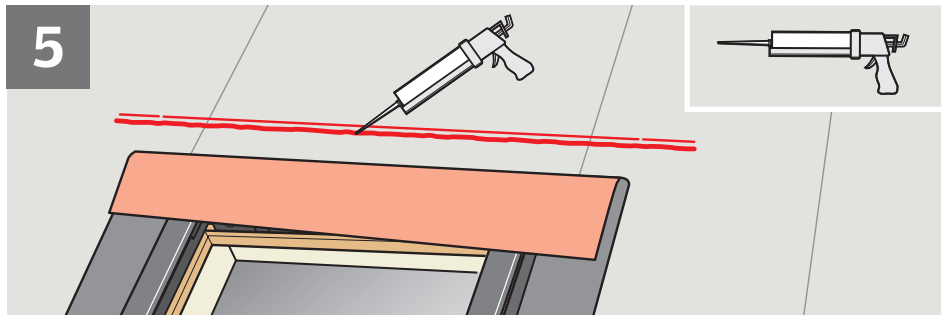
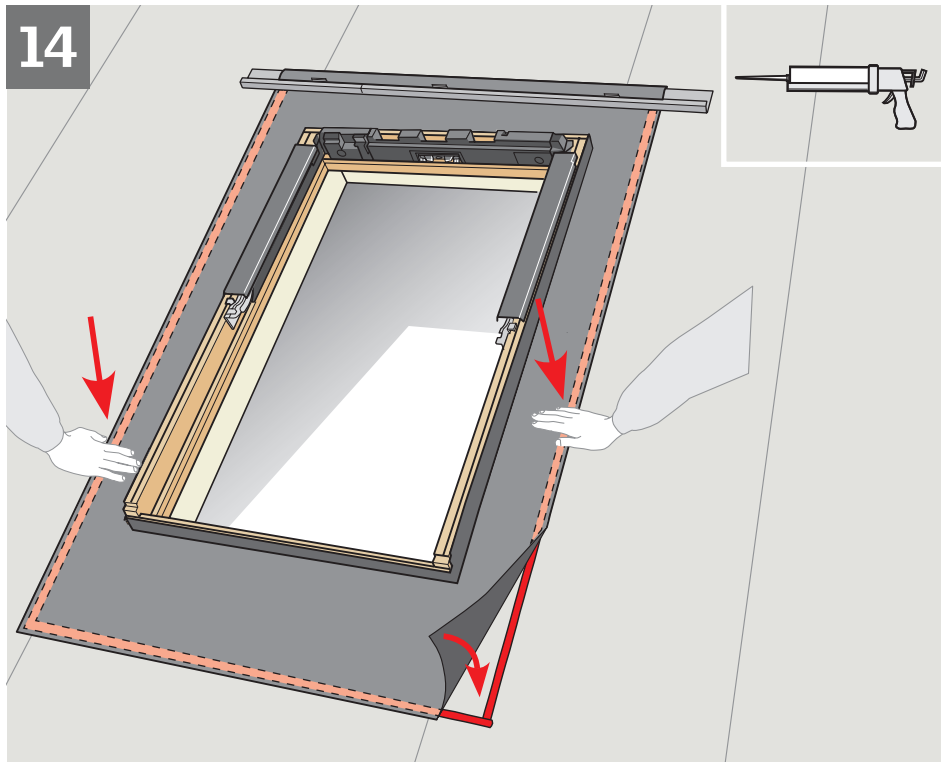
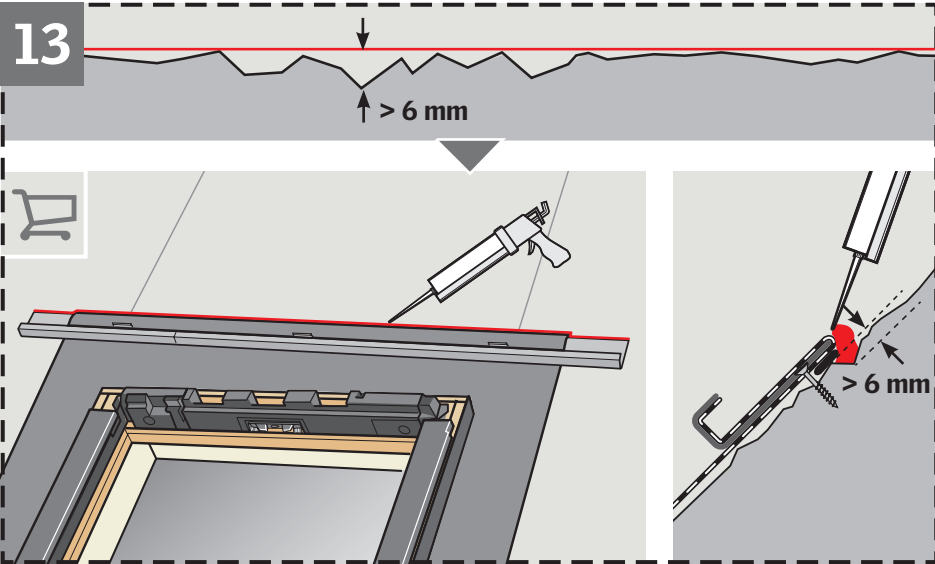



# BFX 1000U









 13	
EN 13859-1:2014 Notified body: 0338	
<b>BFX</b>	
<b>Flexible sheet for underlays for roofs</b>	
<b>Reaction to fire:</b>	Class E
<b>Resistance to water penetration:</b> - before artificial ageing: - after artificial ageing:	Class W1 Class W1
<b>Tensile strength in longitudinal direction:</b> - before artificial ageing: - after artificial ageing:	200 N/50 mm 120 N/50 mm
<b>Tensile strength in transverse direction:</b> - before artificial ageing: - after artificial ageing:	200 N/50 mm 120 N/50 mm
<b>Elongation in longitudinal direction:</b> - before artificial ageing: - after artificial ageing:	NPD NPD
<b>Elongation in transverse direction:</b> - before artificial ageing: - after artificial ageing:	NPD NPD
<b>Tear resistance:</b> - longitudinal direction: - transverse direction:	NPD NPD
<b>Flexibility at low temperature (pliability):</b>	NPD
<b>Artificial ageing behavior, concerning:</b> - resistance to water penetration: - tensile strength:	NPD NPD
VELUX A/S Ådalsvej 99 DK-2970 Hørsholm <a href="http://www.velux.com/ce">www.velux.com/ce</a>	

<b>AR:</b>	VELUX Argentina S.A. 348 4 639944	<b>IE:</b>	VELUX Company Ltd. 01 848 8775
<b>AT:</b>	VELUX Österreich GmbH 02245/32 3 50	<b>IT:</b>	VELUX Italia s.p.a. 045/6173666
<b>AU:</b>	VELUX Australia Pty. Ltd. 1300 859 856	<b>JP:</b>	VELUX-Japan Ltd. 0570-00-8145
<b>BA:</b>	VELUX Bosna i Hercegovina d.o.o. 033/626 493, 626 494	<b>LT:</b>	VELUX Lietuva, UAB (85) 270 91 01
<b>BE:</b>	VELUX Belgium (010) 42.09.09	<b>LV:</b>	VELUX Latvia SIA 67 27 77 33
<b>BG:</b>	ВЕЛУКС България ЕООД 02/955 99 30	<b>NL:</b>	VELUX Nederland B.V. 030 - 6 629 629
<b>BY:</b>	Унитарное предприятие "ВЕЛЮКС Мансардные Окна" (017) 329 20 89	<b>NO:</b>	VELUX Norge AS 22 51 06 00
<b>CA:</b>	VELUX Canada Inc. 1 800 88-VELUX (888-3589)	<b>NZ:</b>	VELUX New Zealand Ltd. 0800 650 445
<b>CH:</b>	VELUX Schweiz AG 062 289 44 45	<b>PL:</b>	VELUX Polska Sp. z o.o. (022) 33 77 000 / 33 77 070
<b>CL:</b>	VELUX Chile Limitada 2 953 6789	<b>PT:</b>	VELUX Portugal, Lda 21 880 00 60
<b>CN:</b>	VELUX (CHINA) CO. LTD. 0316-607 27 27	<b>RO:</b>	VELUX România S.R.L. 0-8008-83589
<b>CZ:</b>	VELUX Česká republika, s.r.o. 531 015 511	<b>RS:</b>	VELUX Srbija d.o.o. 011 20 57 500
<b>DE:</b>	VELUX Deutschland GmbH 040 / 54 70 70	<b>RU:</b>	ЗАО ВЕЛЮКС (495) 640 87 20
<b>DK:</b>	VELUX Danmark A/S 45 16 45 16	<b>SE:</b>	VELUX Svenska AB 042/20 83 80
<b>EE:</b>	VELUX Eesti OÜ 621 7790	<b>SI:</b>	VELUX Slovenija d.o.o. 01 724 68 68
<b>ES:</b>	VELUX Spain, S.A. 91 509 71 00	<b>SK:</b>	VELUX Slovensko, s.r.o. (02) 33 000 555
<b>FI:</b>	VELUX Suomi Oy 0207 290 800	<b>TR:</b>	VELUX Çatı Pencereleri Ticaret Limited Şirketi 0 216 302 54 10
<b>FR:</b>	VELUX France 0821 02 15 15 0,119€ TTC/min	<b>UA:</b>	ТОВ "ВЕЛЮКС Україна" (044) 2916070
<b>GB:</b>	VELUX Company Ltd. 01592 778 225	<b>US:</b>	VELUX America LLC 1-800-88-VELUX
<b>HR:</b>	VELUX Hrvatska d.o.o. 01/5555 444		
<b>HU:</b>	VELUX Magyarország Kft. (06/1) 436-0601		