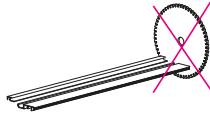


FORMULE/formulas	
H	=HV-8
X	=(L-2-4-2)/2
L	=(X*2)+2+4+2
LF	=L-(36*2)

FRESATE/milling	
SP=22	W=16
SP=20	W=14
SP=18	W=12

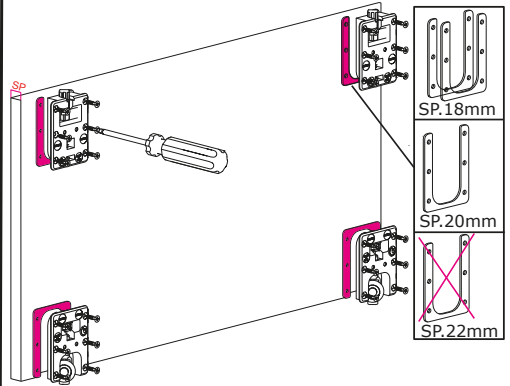
scala size 1:5

KIT STANDARD	ART.3460	ART.3450
450	mm.629	mm.243
600	mm.929	mm.393
750	mm.1229	mm.543
900	mm.1529	mm.693
KIT SPECIAL		
500	mm.729	mm.293
550	mm.829	mm.343
650	mm.1029	mm.443
700	mm.1129	mm.493
800	mm.1329	mm.593
850	mm.1429	mm.643
950	mm.1629	mm.743
1000	mm.1729	mm.793



Il taglio dei profili annullano la garanzia del sistema
Cutting profiles will void the system warranty !

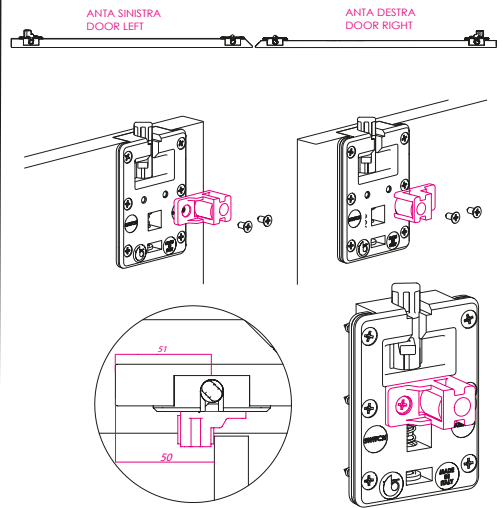
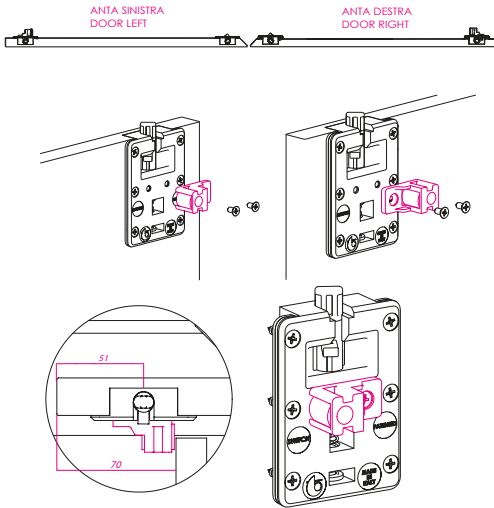
1



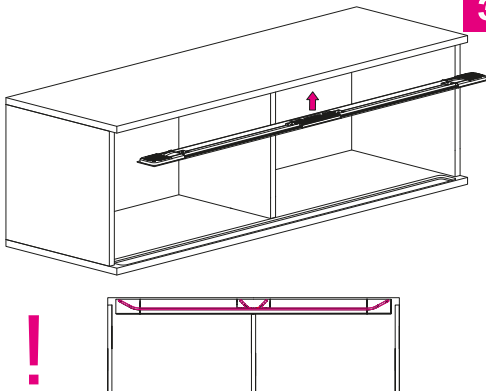
SORMONTO 70mm
OVERLAP 70mm

2

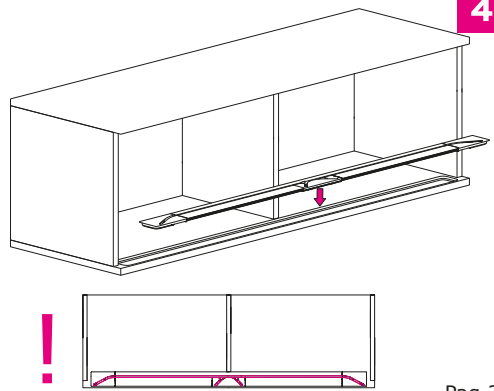
SORMONTO 50mm
OVERLAP 50mm

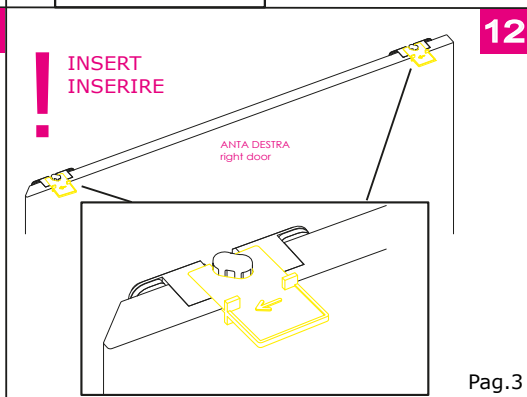
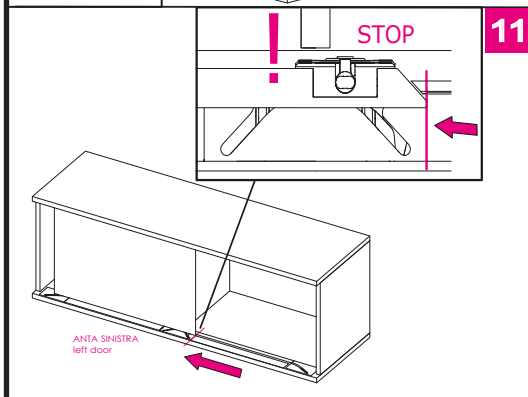
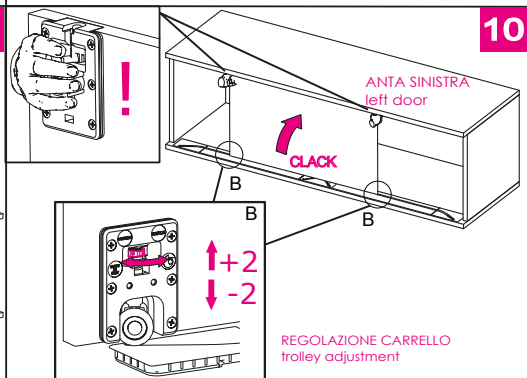
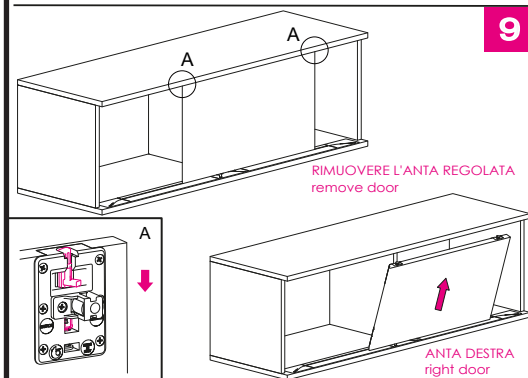
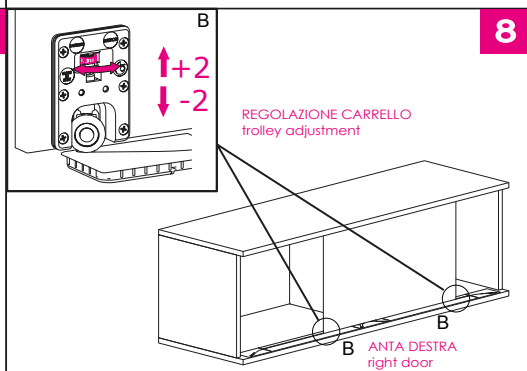
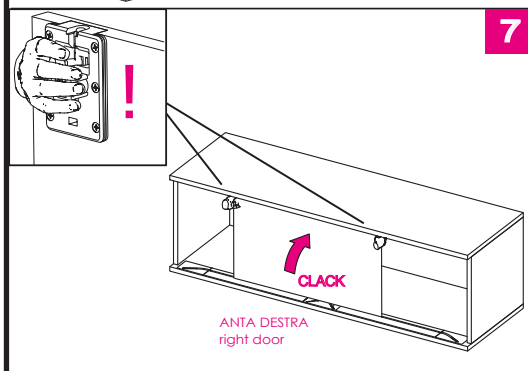
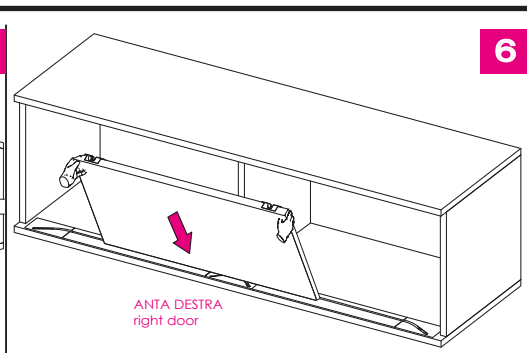
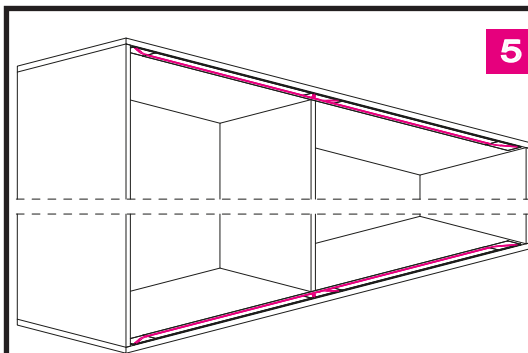


3

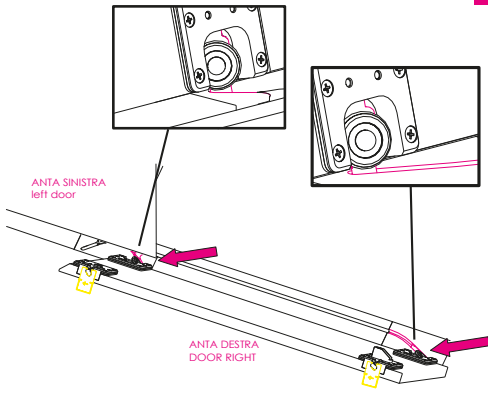


4

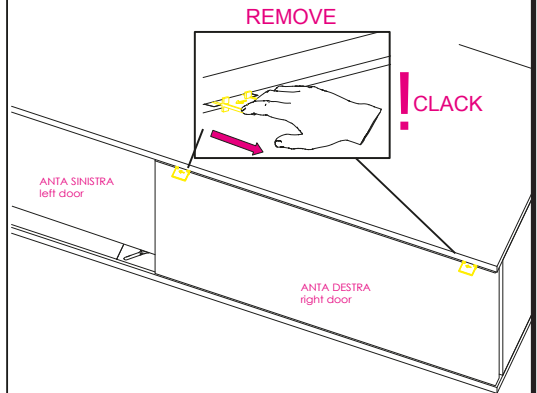




13

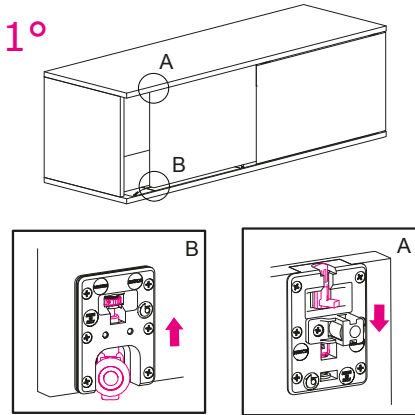


14

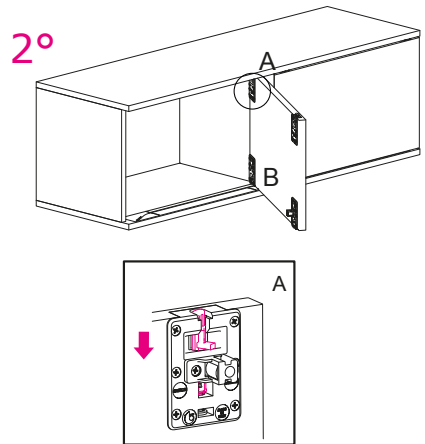


COME SMONTARE LE ANTE
doors removing

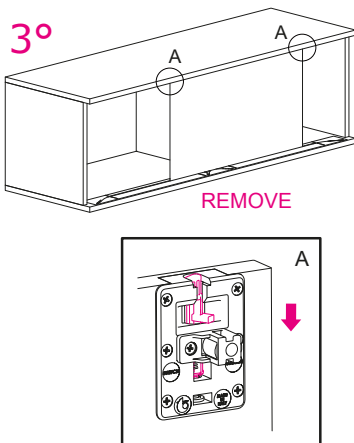
15



16



17



18

