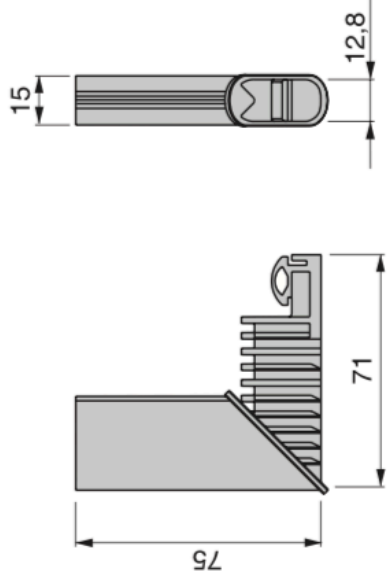


## Reggitubo Cubit per tubo Silk

*Cubit support for Silk rail*



Cod.



60121 21 20

Alluminio e tecnoplastica  
*Aluminium and plastic*

