

## REVERSIBILITA'

La cremone è fornita DESTRA (fig. 1); per renderla SINISTRA (fig. 2) occorre:

- togliere la piastra di fondo
- estrarre ed invertire la posizione dei cursori **E** e **C** e delle cremagliere (fig. 3)
- rimontare il pacco e la piastra a fondo

## REVERSIBILITY

The cremone bolt is supplied RH (fig. 1); to convert it into LH (fig. 2) operates as follows:

- take the bottom plate away
- take away and invert the position of sliders **E** e **C** and racks (fig. 3)
- refit the bottom plate

## REVERSIBILITE

La crémona est fournié montée à main droite (dess. 1); pour la rendre à main gauche (dess. 2) il faut:

- enlever la plaque de fixation
- enlever et inverser la position des curseur **E** et **C** et des crémaillères (dess. 3)
- remonter la plaque de fixation

## REVERSIBILIDAD

La cremona viene montada a la derecha (núm. 1); para cambiarla de mano (núm. 2) obrar como sigue:

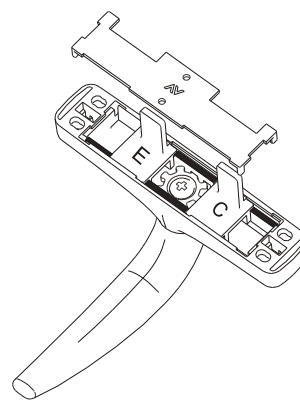
- sacar la tapeta
- sacar e invertir la posición de los cursores **E** y **C** y de las cremalleras (núm.3)
- colocar la tapeta

## BEIDSEITIG VERWENDBAR

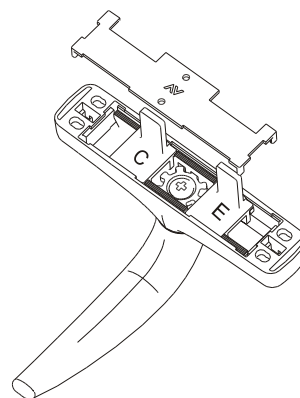
Der Getriebegriff wird in Ausführung RECHTS (Abb. 1) geliefert. Das Umrüsten des Griffs auf LINKS (Abb. 2) ist wie folgt möglich:

- Grundplatte abnehmen
- Schieber **E** und **C** und Zahnstangenjeweils abnehmen und vertauschen (Abb. 3).
- Grundplatte wieder anbringen

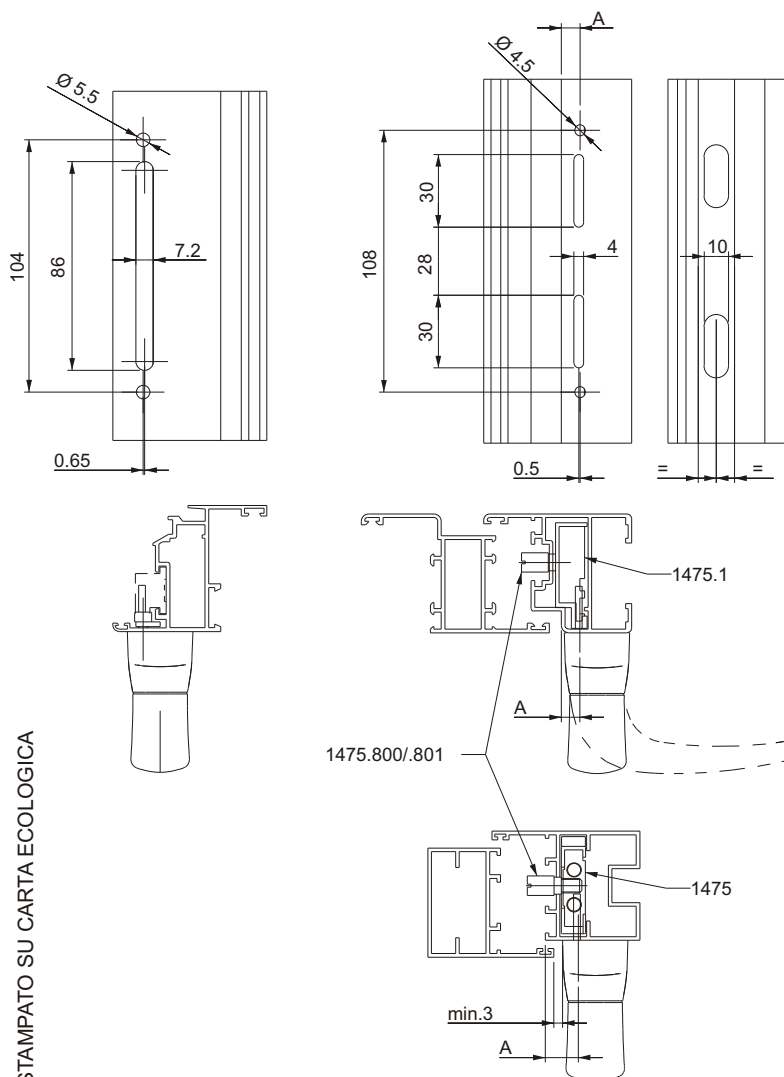
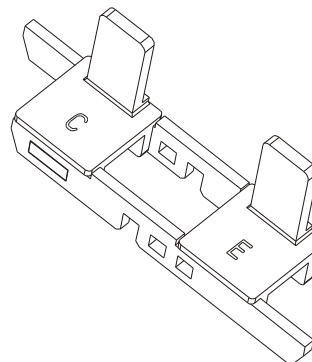
1)



2)



3)



Estrusore	Serie	Codice profili	Quota A	Pacco movim.	Perni	Estrusore	Serie	Codice profili	Quota A	Pacco movim.	Perni		
AGNELLI M.	ESEDRA	EP 551	27	1475	.801	HYDRO	D. STOPPER PG	PR 23229	9	1475.1	.800		
AL SYSTEM	GLOBAL 45 PERS.	AS 4516	9	1475	.800		DOMAL 40	PR 19724	17	1475	.800		
		AS 4517	9	1475	.800		PR 19741	17	1475	.800			
		AS 4518	9	1475			PR 26199	17	1475	.800			
		AS 4521	9	1475	.800		DOMAL GELOSIA	PR 24451	11,5	1475			
		AS 4527	9	1475	.800		PR 24457	6,5	1475.1	.800			
		AS 4528	9	1475			DOMAL PG STYLE	PR 26217	6,5	1475.1	.800		
		AS 4531	9	1475	.800		INDINVEST	ALPHA 445	6459	8,5	1475	.800	
		AS 4541	9	1475	.800				6903	8,5	1475	.800	
		AS 4574	9	1475					7836	8,5	1475	.800	
		AS 4575	9	1475		8287			8,5	1475	.800		
AS 4577	30	1475		8548	8,5	1475			.800				
ALCAN	ECLIPSE	21711	19	1475		9978		8,5	1475	.800			
		21712	20	1475	.800	GOLD 400		40073	9	1475.2	.801		
		21713	7,5	1475.1	.800			40074	9	1475.2	.801		
		21715	14	1475				40075	7	1475.1	.801		
		21717	15	1475				40109	9	1475.2	.801		
		21720	20	1475	.800		40133	9	1475.2	.801			
		21721	7,5	1475.1	.800		40136	7	1475.1	.801			
		21722	21	1475	.801		40144	12	1475				
		21723	21	1475	.801		40145	12	1475				
		21750	7,5	1475.1	.800		ILLARY	10287	8	1475	.800		
21650	7	1475.1	.800	10293	8		1475	.800					
ALCOA	POINT	21428	7	1475.1	.800	KIKAU	K60	002/60	27	1475			
		21429	7	1475.1	.800		K80	002/80	14,5	1475.2	.801		
		21489	8	1475.1	.800		011/80	22	1475				
		21490	18	1475	.800	METRA	NC 45 INT.	CS 4347	6	1475.1	.800		
		21492	18	1475	.800		NUOVO NC 40	CS 4322	8	1475.1	.800		
		21493	6	1475.1	.800			CS 4378	7	1475.1	.800		
		24411	6	1475.1	.800			NC 3134	9	1475	.800		
		ALCOA	R 40	800369	12			1475	.801	NC 3174	9	1475	.800
			R 40 COMPL.	880470	13			1475.1	.801	NC 3335	16	1475	.800
			900399	13	1475			.800	NC 3382	17	1475	.800	
ALL.CO	ALL. CO 5	VZ 1456	16	1475	.801			NC 3666	9	1475	.800		
		VZ 1494	9	1475	.800			NC 3667	9	1475	.800		
		VZ 1498	9	1475	.800		NC 3669	9	1475	.800			
		VZ 1501	9	1475	.801	NC 3669	9	1475	.800				
		VZ 1515	14	1475	.800	NC 3669	9	1475	.800				
		VZ 1523	9	1475	.800	NC 3669	9	1475	.800				
		VZ 3608	15	1475	.801	NC 3669	9	1475	.800				
		VZ 3622	13	1475	.801	NC 5835	7	1475.1	.800				
		ALL. CO P4 COMPL.	VZ 0645	9	1475	.800	PERSIANA CLASSICA	R 3293	9	1475	.800		
			VZ 0728	9	1475	.800		R 3297	9	1475	.800		
	VZ 0733		9	1475	.800	R 3553		9	1475				
	VZ 0738		9	1475	.800	PERSIANA FIRENZE	R 3293	9	1475	.800			
	VZ 0739		13	1475			R 3297	9	1475	.800			
	VZ 0772		11	1475	.801		R 3462	13	1475				
	VZ 0772	11	1475	.801	R 3553		9	1475					
	ALL. CO P4 SORM.	VZ 0716	17	1475	.800	R 3842	10	1475	.800				
		VZ 0729	17	1475	.800	PERSIANA METRA	NC 2806	22	1475	.801			
		VZ 0731	17	1475	.800		OCMA	LIGURIA	OC004703	9	1475		
		VZ 0747	9	1475.1	.800	OC004704			13	1475			
	ALL. CO PERSIANA	VZ 3602	9	1475	.800	OC004705			9	1475	.800		
VZ 3605		14	1475	.801	OC004706	9			1475	.800			
ALL. CO SPRINT	VZ 0652	12	1475	.800	SV 39	FC 004312			7	1475.1	.800		
	VZ 0673	8,5	1475		SV 037024	7		1475.1	.800				
ALL. CO TRIS	VZ 0739	13	1475		PASSERINI	EKIP 40 COMPL.		ZK 08146	9	1475	.800		
	ALU. MEC.	PERSIANA DS45	DS 4502	16				1475	.800	ZK 08806	9	1475	
DS 4503			17	1475				.800	ZK 09836	9	1475		
DS 4504			17	1475		.800		ZK 10108	9	1475	.800		
DS 4513			17	1475			EKIP 40 SORM.	ZK 09994	18	1475	.800		
ALU-K	PERS. SHUTTER	K 318	11	1475				ZK 12720	7	1475.1	.800		
		K 494	17	1475		.800		ZK 13737	7	1475.1	.800		
ANODAL	EPOCAL	VZ 0673	9	1475			ZK 13738	7	1475.2	.800			
		VZ 4252	9	1475		.800	ZK 13739	13	1475	.800			
		VZ 4253	9	1475		.800	ZK 13740	13	1475.2	.800			
		VZ 4258	9	1475	.800	EKIP EV COMPL.	ZK 12033	8	1475	.800			
		VZ 4259	9	1475	.800	EKIP EV SORM.	ZK 12034	18	1475	.800			
		VZ 4262	9	1475	.800	PONZIO SUD	NEW TEC 50	5245	19	1475			
		VZ 4268	24	1475			5246	22	1475.1	.800			
		VZ 4274	9	1475	.800	PROFILATI	EKU 53	4202	7	1475.1	.800		
DEMAL	PRESTIGE	ML 217	17	1475.1				5679	7	1475.1	.800		
		ML 229	26	1475	.801			5680	7	1475.1	.800		
		ML 236	22	1475			PE 40 SCURO	4185	8	1475			
ESA-K	GIUNTALL 45	4586	17	1475	.800			SISTEMA 1 COMPL	4035	13	1475	.800	
		HYDRO	D. STOPPER PG	PR 21662	6		1475.1	.800	4208	15	1475	.801	
				PR 21665	18		1475.1	.800	SISTEMA 1 SORM.	4036	13	1475	.800
							4085	27	1475	.801			
					4092		27	1475	.801				
					4142		27	1475	.801				
					5699	27	1475	.801					