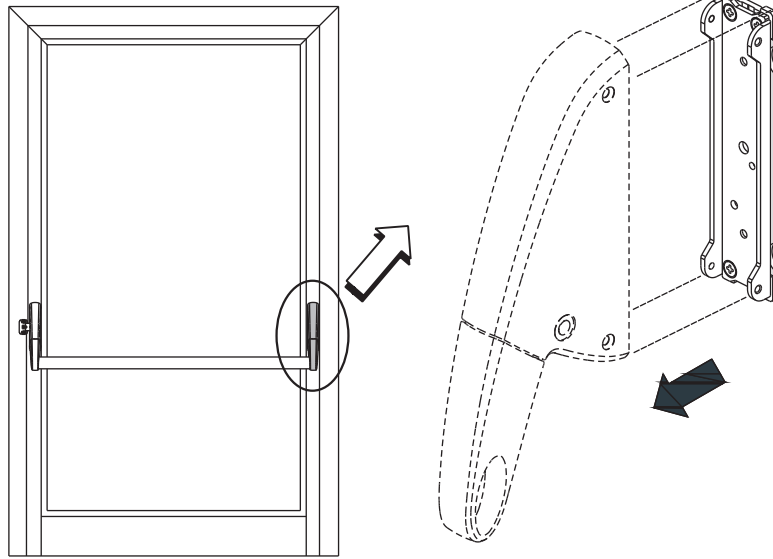
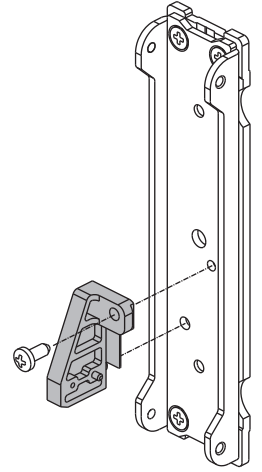


I

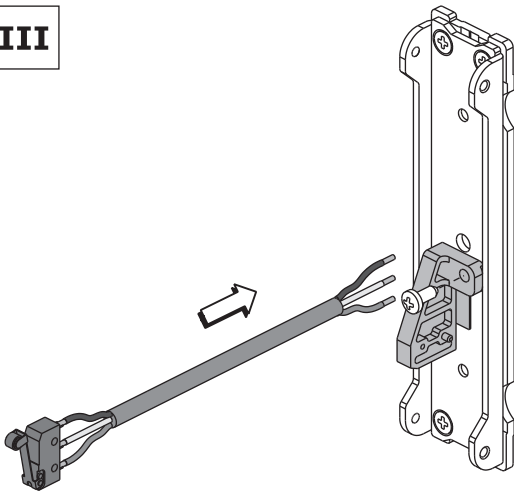
6000.1/1200
6000.2/1200
6000.3/1200
6000.701
6000.702
6000.703



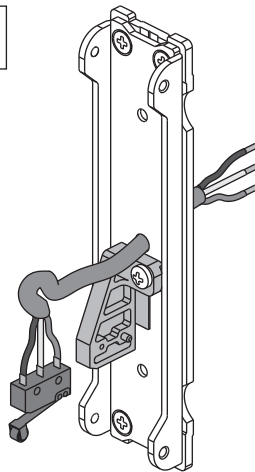
II



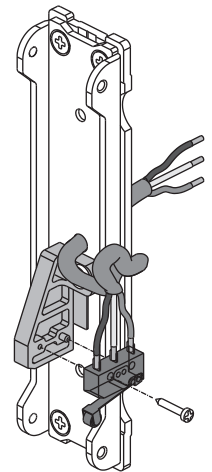
III



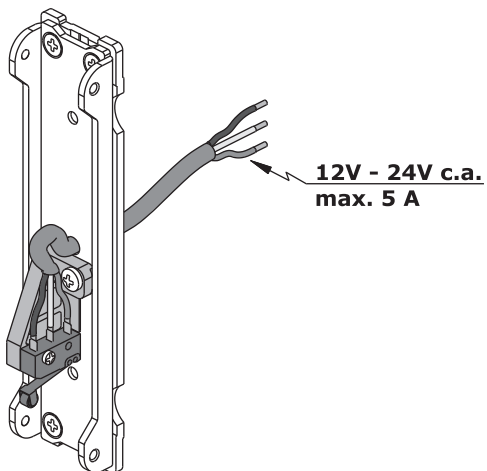
IV



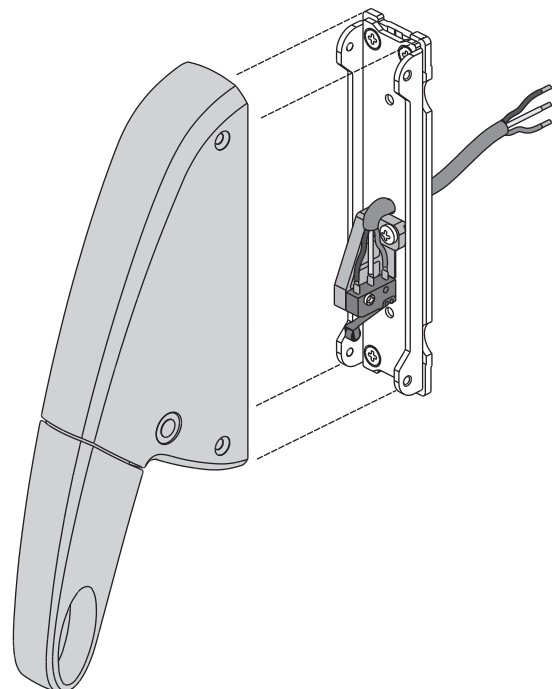
V



VI

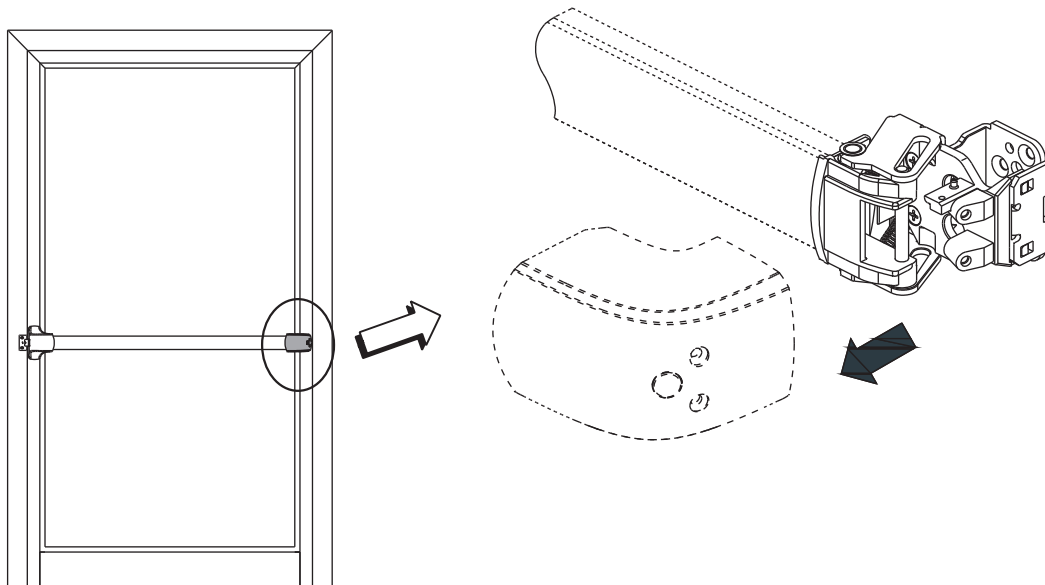


VII

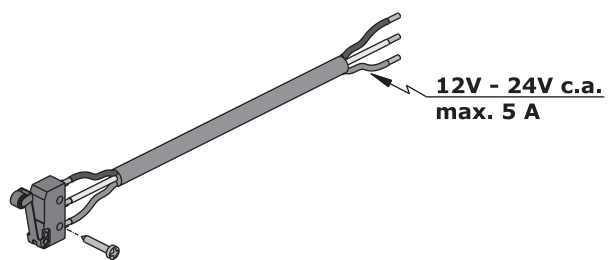
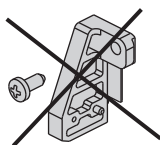


I

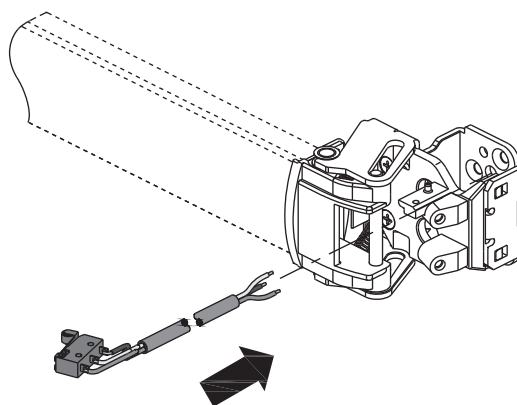
6100.1/1085
6100.2/1085
6100.3/1085
6100.701
6100.702
6100.703



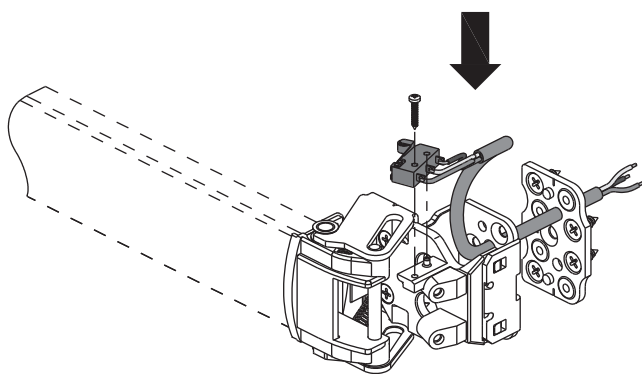
II



III



IV



V

