

Q-LON OVERLAP SEALS: FOR ALUMINIUM APPLICATIONS

QL 46800

TECHNICAL SPECIFICATION

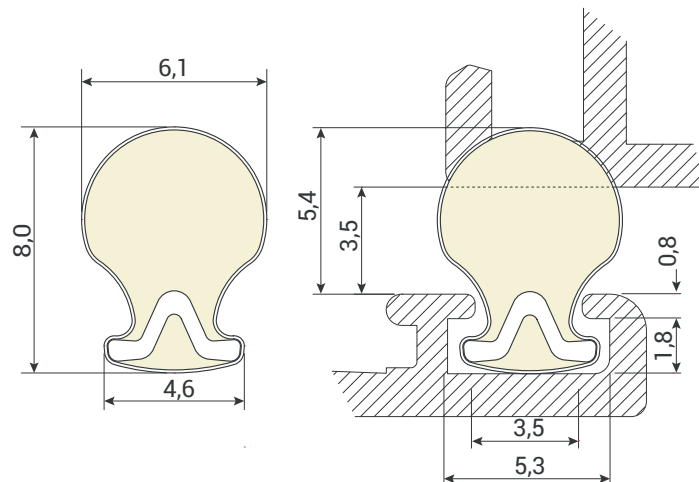
Throat width: 2,6 - 3,2 mm

Groove width: 5 - 5,6 mm

Seal gap: 3 - 3,5 mm

PACKAGING

250 m x 2



Colours (≈ RAL)			
7001	7035	9003	9005
Silver Grey	Grey	White	Black

Other colours upon request

04/2019 - V01

