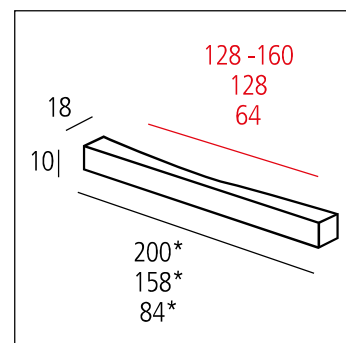


MN 1060 Z - design Gordon Guillaumier

pamar



Interasse multiplo
Multiple inter-axial hole distance



finiture / finishings:

E101: metallizzato alluminio opaco
matt metallized aluminium

G104: cromato lucido
bright chromium plated

G124: nichel lucido satinato con vernice trasparente
bright satin nickel with transparent paint

E229: bianco opaco con fondo
matt white with primer