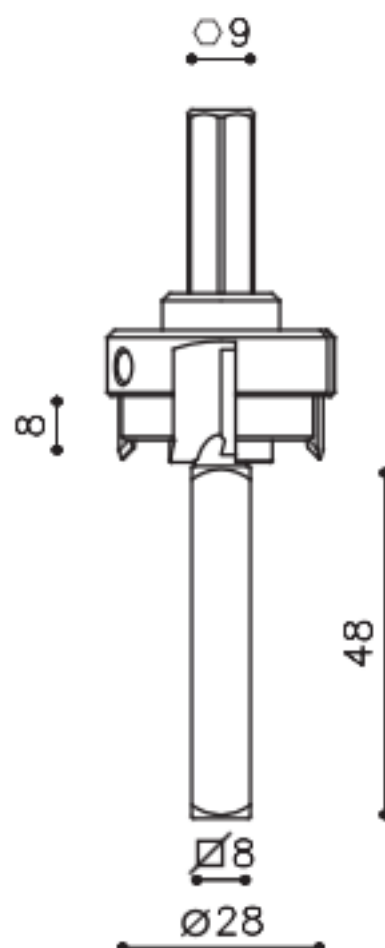


BREVETTATO
PATENTED



9799B

Fresa $\varnothing 28 \times 8$ mm
con centraggio $\varnothing 8$
Milling cutter $\varnothing 28 \times 8$ mm
with centring $\varnothing 8$