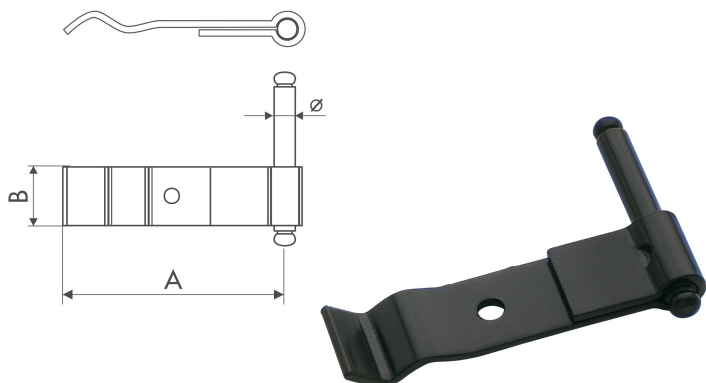


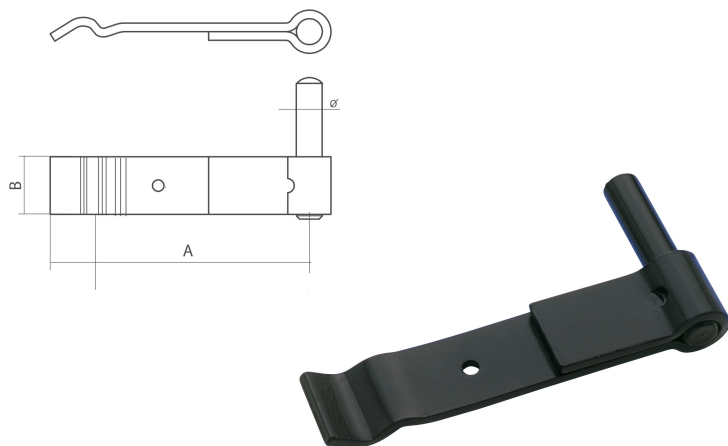
ART. 1211 Ø 10  
 ART. 1231 Ø 12  
 ART. 1251 Ø 14



**cardini a murare (tipo a bietta)**  
 wall pivot (locking bar type)  
 einzumauernder angelzapfen  
 gond à murer

| Articolo        | A   | B  | Ø  | Pz./Conf. |
|-----------------|-----|----|----|-----------|
| 1211            | 105 | 28 | 10 | 24        |
| 1211 lungo      | 145 | 28 | 10 | 24        |
| 1231            | 120 | 30 | 12 | 24        |
| 1231 lungo      | 160 | 30 | 12 | 24        |
| 1231 extralungo | 190 | 35 | 12 | 24        |
| 1251            | 170 | 35 | 14 | 12        |

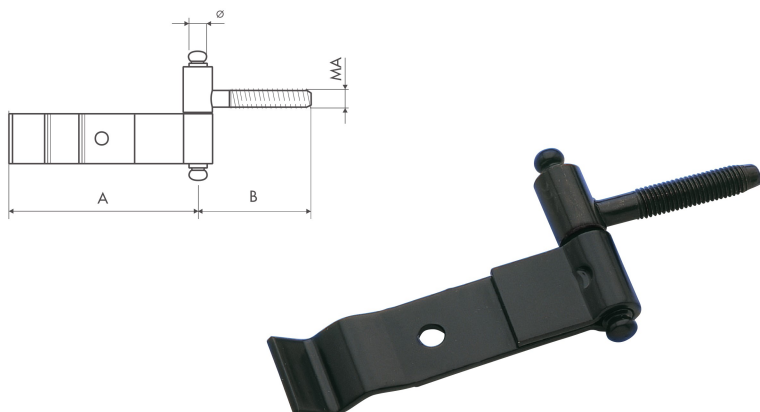
ART. 1271 Ø 18



**cardini a murare (tipo a bietta)**  
 wall pivot (locking bar type)  
 einzumauernder angelzapfen  
 gond à murer

| Articolo | A   | B  | Ø  | Pz./Conf. |
|----------|-----|----|----|-----------|
| 1271     | 180 | 40 | 18 | 4         |

ART. 1216 Ø 10  
 ART. 1236 Ø 12



**cardini a murare con cerniera ad avvitare**  
 wall pivot with screw-in hinge  
 einzumauernder angelzapfen  
 mit anschraubbarem scharnier  
 gond à murer avec charnière à visser

| Articolo | A   | B  | Ø  | MA | Pz./Conf. |
|----------|-----|----|----|----|-----------|
| 1216     | 105 | 65 | 10 | 10 | 50        |
| 1236     | 120 | 75 | 12 | 10 | 24        |