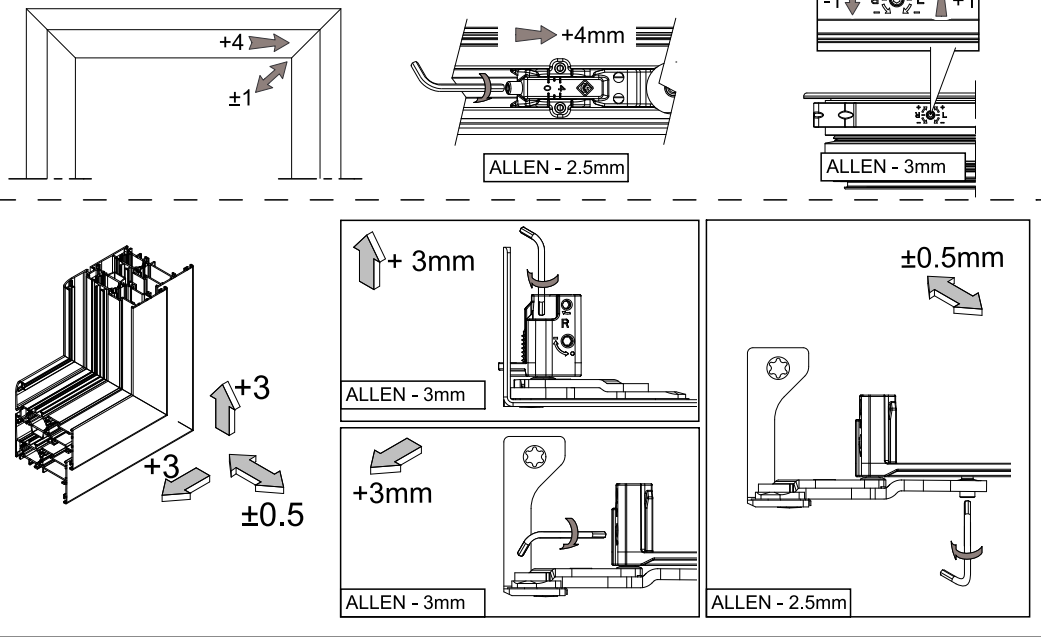


**REGOLAZIONE  
ADJUSTMENT**



**110Kg - 110°**

2700	37	33	27	23	20	18	16	15	14	13	12	11	10	10	
2600	38	34	28	24	21	19	17	15	14	13	12	11	11	10	
2500	40	35	29	25	22	20	18	16	15	14	13	12	11	10	
2400	43	37	31	26	23	20	18	17	15	14	13	12	11	11	
2300	45	38	32	27	24	21	19	17	16	15	14	13	12	11	
2200	48	40	33	29	25	22	20	18	17	15	14	13	12	12	
2100	50	42	35	30	26	23	21	19	17	16	15	14	13	11	
2000	50	44	37	31	28	24	22	20	18	17	16	15	14	12	
1900	50	46	39	33	29	26	23	21	19	18	17	15	13	12	
1800	50	49	41	35	31	27	24	22	20	19	17	15	14	13	
1700	50	50	43	37	32	29	26	24	22	20	17	16	15	14	
1600	50	50	46	39	34	31	28	25	23	21	19	18	17	15	
1500	50	50	49	42	37	33	29	27	24	20	19	18	14	10	
1400	50	50	50	45	39	35	31	29	24	22	20	16	12	11	
1300	50	50	50	48	42	38	34	28	25	23	18	14	13	8	
1200	50	50	50	50	46	41	33	30	28	17	16	15	9	4	
1100	50	50	50	50	50	40	36	33	20	18	17	11	6	X	
1000	50	50	50	50	50	44	40	24	22	20	13	7	X	X	
900	50	50	50	50	50	49	29	27	16	8	X	X	X	X	
800	50	50	50	50	50	37	33	20	11	X	X	X	X	X	
700	50	50	50	50	47	42	13	X	X	X	X	X	X	X	
600	50	50	50	50	37	19	X	X	X	X	X	X	X	X	
550	50	50	50	50	X	X	X	X	X	X	X	X	X	X	
H	L	440	500	600	700	800	900	1000	1100	1200	1300	1400	1500	1600	1700

**Con 3313.21 Hmin anta 1050mm**  
With 3313.21 Hmin sash 1050mm

**140Kg - 90°**

2700	47	41	35	30	26	23	21	19	17	16	15	14	13	12	
2600	49	43	36	31	27	24	22	20	18	17	15	14	13	13	
2500	50	45	37	32	28	25	22	20	19	17	16	15	14	13	
2400	50	47	39	33	29	26	23	21	19	18	17	16	15	14	
2300	50	49	41	35	30	27	24	22	20	19	17	16	15	14	
2200	50	50	42	36	32	28	25	23	21	20	18	17	16	15	
2100	50	50	44	38	33	30	27	24	22	21	19	18	17	14	
2000	50	50	47	40	35	31	28	25	23	22	20	19	18	15	
1900	50	50	49	42	37	33	29	27	25	23	21	20	17	16	
1800	50	50	50	44	39	35	31	28	26	24	22	19	18	16	
1700	50	50	50	47	41	37	33	30	27	25	21	20	19	17	
1600	50	50	50	50	44	39	35	32	29	24	23	21	20	15	
1500	50	50	50	50	47	41	37	34	31	26	24	22	18	13	
1400	50	50	50	50	50	44	40	36	30	28	26	20	15	14	
1300	50	50	50	50	50	48	43	35	32	30	23	17	16	10	
1200	50	50	50	50	50	50	42	38	35	27	20	19	12	5	
1100	50	50	50	50	50	50	46	42	32	23	22	14	6	X	
1000	50	50	50	50	50	50	50	38	28	26	16	7	X	X	
900	50	50	50	50	50	50	37	34	21	10	X	X	X	X	
800	50	50	50	50	50	47	42	25	11	X	X	X	X	X	
700	50	50	50	50	50	50	16	X	X	X	X	X	X	X	
600	50	50	50	50	47	19	X	X	X	X	X	X	X	X	
550	50	50	50	50	X	X	X	X	X	X	X	X	X	X	
H	L	440	500	600	700	800	900	1000	1100	1200	1300	1400	1500	1600	1700

**CON LIMITATORE 1114.X**  
E 3310.50  
WITH LIMITER 1114.X  
END 3310.50

**Kit anta ribalta a scomparsa con AFM su cremone** | Per sistemi Camera Erre  
Kit for hidden tilt and turn with AFM on the cremone bolt | For Erre Groove system

**3321G.1 / 3321LG.1**

**ITA**

Riferimento nodo sistema ERRE  
ERRE system section riferiment

A08

**LAVORAZIONI / MACHINING**

NOTA: nel caso di utilizzo cremone con interasse 98mm utilizzare Part: 6015.3  
NOTE: in case of cremone-bolt with inter-axe 98mm use art. 6015.3

6015.3  
6036.3  
6036.23D/S

6018  
6038  
6015  
6011  
6011.10  
6036  
6036.20D/S  
6032.10  
6038.20D/S  
6061  
6063  
6063.20

6011  
6011.10  
6032.10

3072  
3077.2  
3070  
3070.2  
3100  
3101  
3077.25D/S  
3075.25D/S  
3101.25

**LAVORAZIONI ASTINE**  
RODS MACHINING

**Maniglie**  
Handles

6018  
6038  
6038.20D/S

6015 - 6015.3  
6011 - 6011.10

6036 - 6032.10 - 6036.3  
6036.20D/S  
6036.23D/S

6061  
6063  
6063.20

3072  
3077.2  
3077.25D/S

3070  
3070.2  
3075.25D/S

3100  
3101  
3101.25

MASTER S.r.l. - I619A - A3 FR - 25/02/2021

**Posizionamento punti chiusura kit base | Base kit locking points positioning**

**ANTA RIBALTA** | **TILT AND TURN**

AFM →

Ribalta  
Tilt

Apertura  
Open

Chiusura  
Locking

**3321G.1**

Hm

Z - 176

Y - 200

**MANOVRA LOGICA** | **TILT BEFORE TURN**

AFM →

Apertura  
Open

Ribalta  
Tilt

Chiusura  
Locking

**3321LG.1**

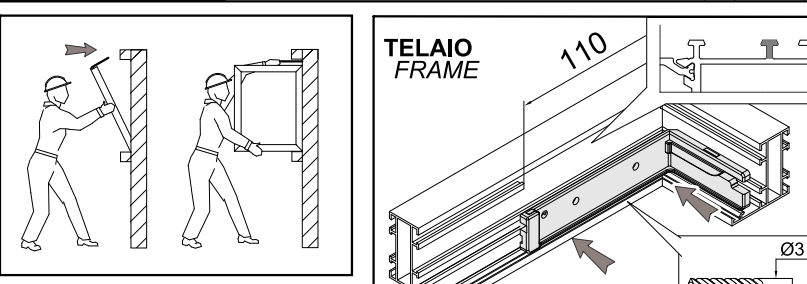
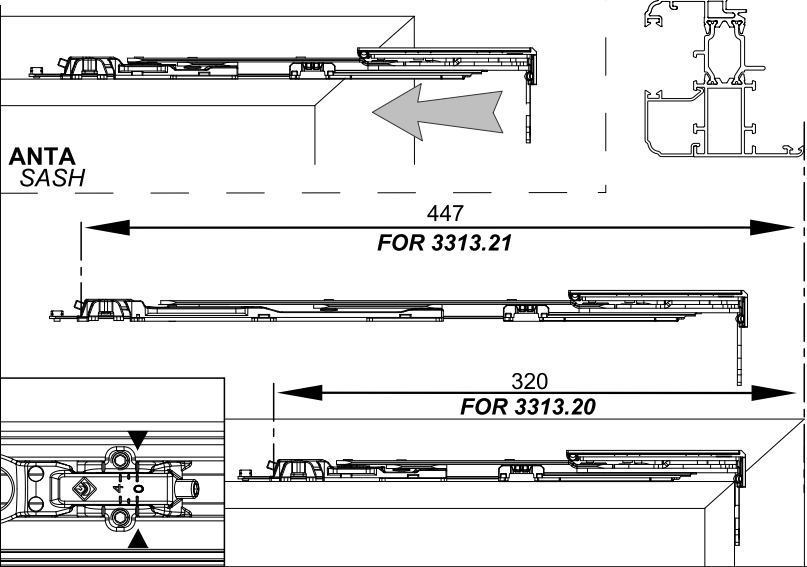
Hm

Z - 176

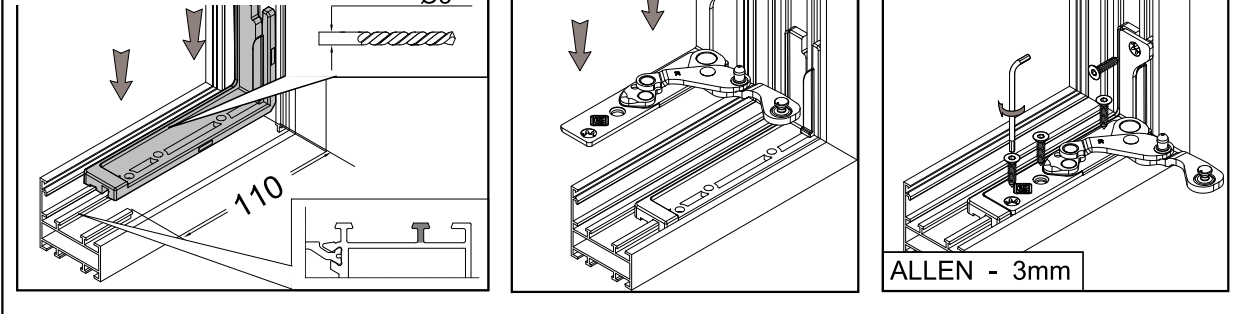
Y - 200

50

**MONTAGGIO CERNIERA SUPERIORE  
TOP HINGE ASSEMBLY**



**MONTAGGIO CERNIERA INFERIORE  
BOTTOM HINGE ASSEMBLY**



\* Da abbinare a 3521.39  
In combination with 3521.39

