



# ITALIA


## MARTELLINA MINIMAL DESIGN


### APPLICAZIONE UNIVERSALE




Martellina minimal design applicazione universale | Minimal design handle universal fitting | Bequille a poignee design minimaliste applicattion universelle | Maneta de deseño minimal aplicati3n universal

 Manico in alluminio pressofuso, rotore in zama, cassa in derlin, cover in alluminio, viti, naselli di fissaggio e perni in acciaio, bussola in zama.

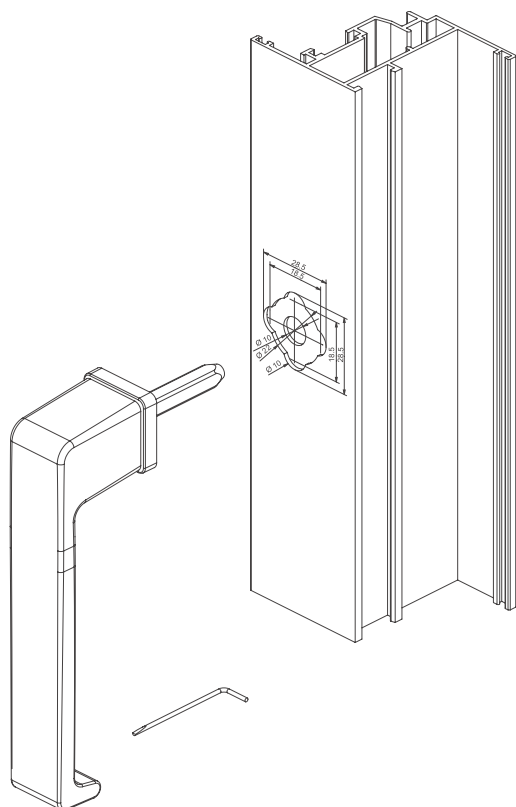
 Handle in die-cast aluminium, zamak rotor, derlin case, aluminium cover, steel screws, hooks and setscrews, zamak bush.

 Manche en aluminium moulé sous pression, rotor en zamak, caisse en derlin, cover en aluminium, vis, pènes et pivot en acier et bague en zamak.

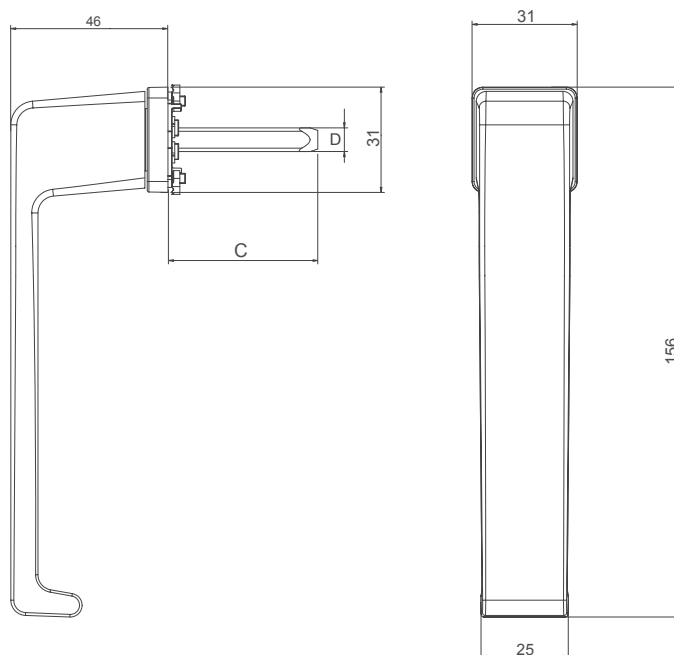
 Mango en aluminio de fundici3n, rotor en zamac, caja en derlin, tapa en aluminio, tornillos, ganchos y pernio en acero, casquillo en zamac.



ART.	3090.20   3090.21 3090.22   3090.23 3090.24	3090.12
Imballo   Package   Conditionnement   Embalaje	5 PZ	5 Cp
Finiture disponibili   Available finishes Finitions disponibles   Acabados disponibles	1 2 3 4	1 2 3 4



Art. 3090.20



DESCRIZIONE DESCRIPTION	ART.	C	D
Martellina minimal design - Italia Minimal design handle "ITALIA"	3090.20	17,5-27mm	7
Martellina minimal design - Italia Minimal design handle "ITALIA"	3090.21	27,5-37mm	7
Martellina minimal design - Italia Minimal design handle "ITALIA"	3090.22	32,5-42mm	7

DESCRIZIONE DESCRIPTION	ART.	C	D
Martellina minimal design - Italia Minimal design handle "ITALIA"	3090.23	42,5-52mm	7
Martellina minimal design - Italia Minimal design handle "ITALIA"	3090.24	62,5-72mm	7
Doppia martellina minimal design - Italia Double minimal design handle "ITALIA"	3090.12	Max 65mm	7