



# CLARCK

## SERRATURA AMBIDESTRA



Serratura ambidestra | Ambidextrous lock  
Serrure ambidextre | Cerradura ambidiestra



Corpo in zama verniciata; incontro e viti autofilettanti in acciaio inox; spessori in nylon; viti in acciaio zincato.



Painted zamak body; stainless steel junction and self-threading screws; nylon sliders; galvanized steel screws.

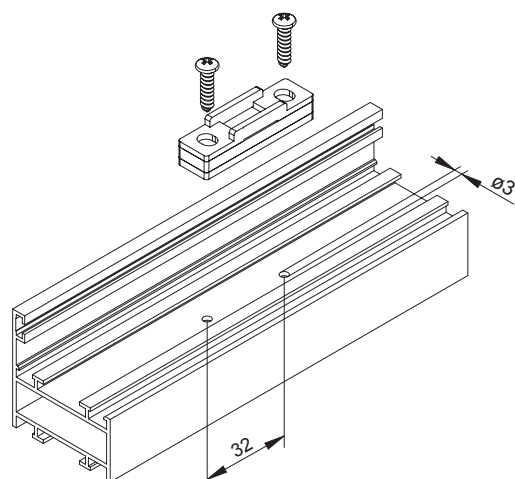
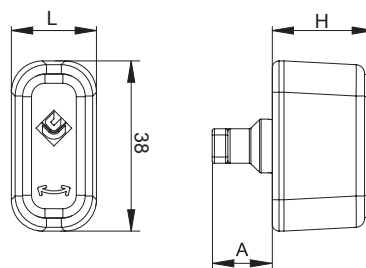
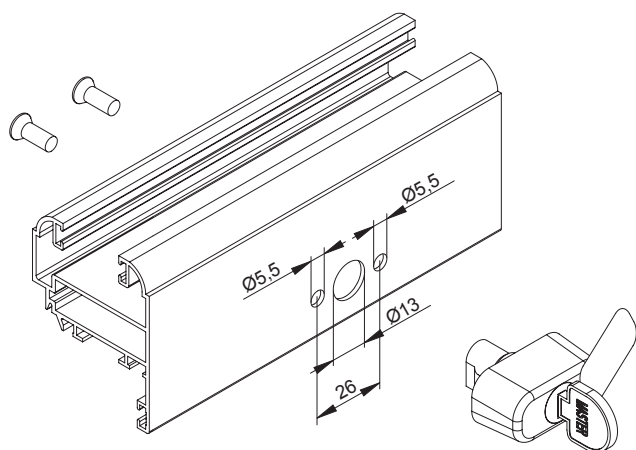


Painted zamak body; stainless steel junction and self-threading screws; nylon sliders; galvanized steel screws.



Cuerpo de zamac laqueado; cerradero y tornillos autorroscantes de acero inox; espesores de nylon; tornillos de acero galvanizado.

ART.	3021   3022   3023 3023.10   3024   3024.10				3025   3025.10			
Imballo   Package   Conditionnement   Embalaje	10 Pz				10 Pz			
Finiture disponibili   Available finishes Finitions disponibles   Acabados disponibles	1	2	3	4	1	2	3	4



DESCRIZIONE DESCRIPTION	CILINDRO KEY	ART.	L	H	A
Serratura Lock		3021	19	20	17
		3022	19	20	18
Serratura con chiave a quadro Lock with square key		3023	20.5	20	15
		3024	20.5	20	17
Serratura con chiave a triangolo Lock with triangle key		3023.10	20.5	20	15
		3024.10	20.5	20	17
Chiave a quadro Square key		3025	-	-	-
Chiave a triangolo Triangle key		3025.10	-	-	-