



ITALIA

COPRICILINDRO DI SICUREZZA



Copricilindro | Cylinder cover
Kit cache cylindre | Cobertura cilindro



Copricilindro in nylon;
cover in zama; viti in
acciaio zincato.



Nylon cylinder
cover; zamak cover;
galvanized steel
screws.



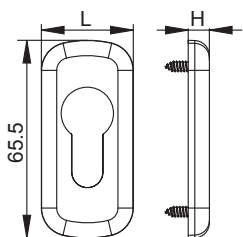
Kit cache cylindre
en nylon; couverture
gâche en zamak; vis
en acier zingué.



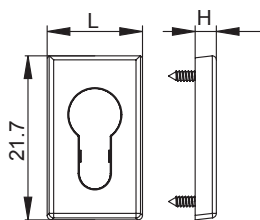
Cobertura cilindro ed
nylon; caja de zamac;
tornillos de acero
galvanizado.



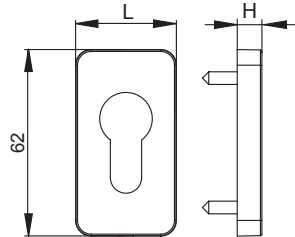
| ART. | 2129.4 2129.5 2129.10 | | | | 2128 | | | |
|---|---------------------------|---|---|---|--------|---|---|---|
| Imballo Package Conditionnement Embalaje | 20 PZ | | | | 500 PZ | | | |
| Finiture disponibili Available finishes Finitions disponibles Acabados disponibles | 1 | 2 | 3 | 4 | 1 | 2 | 3 | 4 |



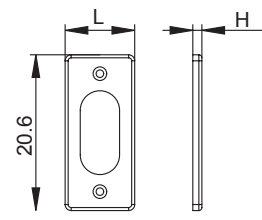
Art. 2129.5
(sistema antisfilamento)



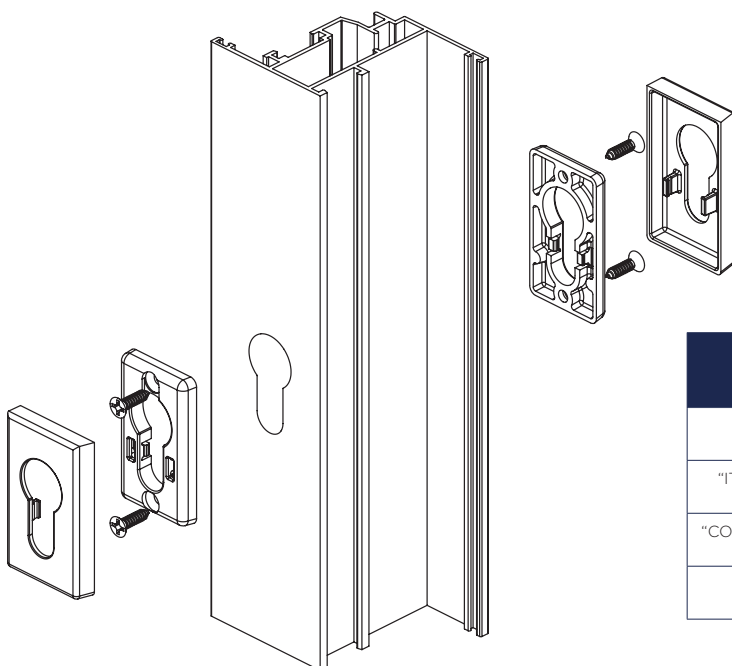
Art. 2129.4
(sistema antisfilamento)



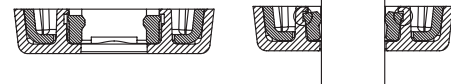
Art. 2129.10



Art. 2128



Cilindro Europeo
assemblato
European cylinder
assembly



| DESCRIZIONE DESCRIPTION | ART. | H | L |
|---|---------|-----|------|
| Copricilindro ovale in nylon Nylon oval cylinder cover | 2128 | 3 | 23 |
| "ITALIA" Copricilindro di sicurezza sagomato in zama "ITALIA" Zamak security shaped cylinder cover | 2129.4 | 7 | 31.5 |
| "COMFORT" Copricilindro di sicurezza sagomato in zama Zamak shaped security cylinder cover | 2129.5 | 7 | 31.5 |
| "MINIMAL DESIGN" Copricilindro sagomato "MINIMAL DESIGN" Shaped cylinder cover | 2129.10 | 8,2 | 33,5 |