



RING

CRICCHETTO IN ZAMA



Cricchetto in zama | Zamak catch
 Cliquet en zamak | Golpete de zamac



Corpo e riscontro in zama; vite e piastrine in acciaio inox; molla in acciaio; corpo mobile in nylon.



Body and handle in zamak; stainless steel screw and plates; steel spring; nylon moving body.



Corps et gâche en zamak; vis et plaques en acier inox; ressort en acier; corps mobile en nylon.

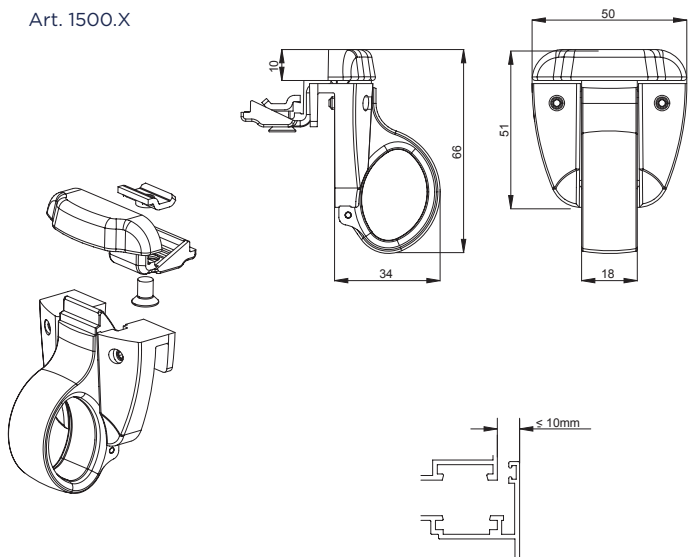


Cuerpo y cerradero de zamac; tornillo y plaquetas de acero inox; muelle de acero; cuerpo móvil de nylon.

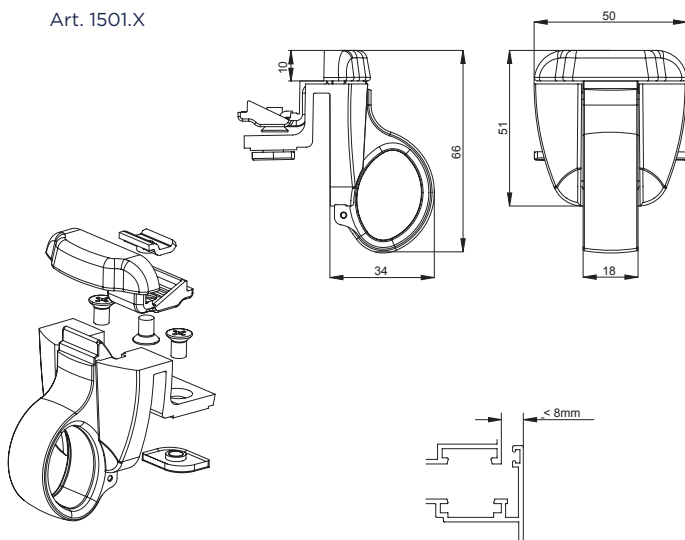


ART.	Tutti All Tous Todos
Imballo Package Conditionnement Embalaje	20 PZ
Finiture disponibili Available finishes Finitions disponibles Acabados disponibles	1 2 3 4

Art. 1500.X



Art. 1501.X



DESCRIZIONE DESCRIPTION	ART.	NODO SECTION
Cricchetto ad aggancio con grani Catch with clasping by setscrew	1500.1	A08 - A10 - A16
	1500.2	A01 - A05 - A20 - A21 - A22
	1500.3	A11
	1500.4	A23 - A17
	1500.5	A01 - A02 - A05 - A06
	1500.6	A12

DESCRIZIONE DESCRIPTION	ART.	NODO SECTION
Cricchetto ad aggancio a piastrine Catch with rapid clasping by plate	1501.1	A08
	1501.2	A01 - A05 - A20 - A21 - A22
	1501.5	A01 - A05