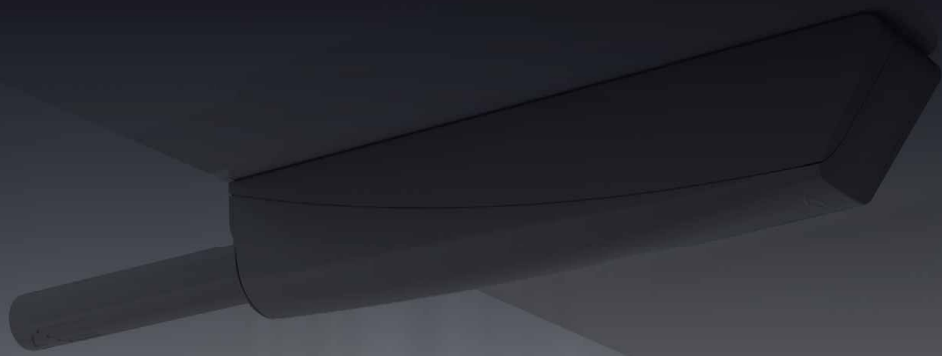
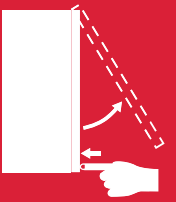


 **ITALIANA**<sup>®</sup>  
f e r r a m e n t a



# K Push Tech

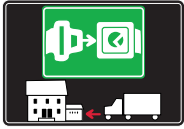


**PUSH  
CATCHES  
AND  
MAGNETIC  
CATCHES**



# SYMBOLS AND FINISHES LEGEND

## SYMBOLS



= SHELF SAFELY LOCKED DURING TRANSPORTATION AND AT HOME.



= ANTI-TURNOVER LOCKING SYSTEM



= NORMS / PATENTS



= PHILLIPS / POZIDRIV



= WITH BUFFER



= PART NO.



= BLADE SLOT



= WITH MAGNET



= PCS. PER PACKAGE



= COMBI SLOT



= HEXAGONAL SOCKET



= NEWTON



= CAPACITY LOADING



= HEXALOBULAR SOCKET



= FRICTION



= WOOD / GLASS THICKNESS



= COUNTERSUNK HEAD



= AUTOMATIC



= HOLE DIAMETER



= PAN HEAD



= DROP DOWN



= DIAMETER



= FLANGE HEAD



= LENGTH



= FLAT HEAD



= STANDARD HINGE



= HEIGHT



= TRILOBULAR SCREW



= KIMANA HINGE



= RIGHT VERSION



= SELF-TAPPING SCREW



= FLAP HINGE



= LEFT VERSION



= EURO THREAD



= WITH SPRING



= SETTING CODE



= METRIC THREAD



= WITHOUT SPRING



= PCS. PER PAD



= PRE-INSERTED SCREW



= REVERSED SPRING



= CUT ON REQUEST



= PRE-INSERTED SCREW AND SPREADING BUSH



= SELF ADHESIVE



= WITH FLANGE

NOTE: Printing errors and omissions may exist despite our best efforts to ensure accuracy. We reserve the right to alter specifications without notice.

## MATERIALS

**ZA** = Zinc Alloy

**ST** = Steel

**HSS** = High Speed Steel

**BR** = Brass

**ABS** = Acrylonitrile Butadiene Styrene

**ZAnk** = Nickel-plated Zinc Alloy

**STzk** = Zinc-plated Steel

**AL** = Aluminium

**WD** = Wood

**EVA** = Ethylene Vinyl Acetate

**EP** = **ENGINEERING PLASTIC**

+ **EP** = other engineering plastic available on request

**SR** = **SOFT RUBBER**

+ **SR** = other soft rubber available on request

**EPn** = Natural Engineering Plastic

**EPc** = Clear Engineering Plastic

**SRn** = Natural Soft Rubber

**EPw** = White Engineering Plastic

**EPg** = Grey Engineering Plastic

**SRw** = White Soft Rubber

**EPwg** = Water Green Engineering Plastic

**SRb** = Black Soft Rubber



## FINISHES



= OTHER FINISHES AVAILABLE ON REQUEST

PART NO.	FINISHES	PART NO.	FINISHES	PART NO.	FINISHES
OO	Insignificant finish	IF	Middle Grey	UT	T-Met 9007
AA	Natural	IJ	Light Grey	UZ	T-Met
AB	White	IL	Grey 20	WA	Bronzed
AE	White 9010	IN	Grey met. 26	WI	Burnished
EA	Black	JB	Bright Aluminium	XD	Satin-finished Steel
EC	Matt Black	JC	Aluminium - Chrome	YA	Nickel-plated
EE	Anthracite	JD	Matt Aluminium	YB	Bright Nickel-plated
EW	Grey 9007	JE	Satin-finished Aluminium	YC	Matt Nickel-plated
FU	Gunmetal	JF	Aluminium - Brass	YD	Satin-finished Nickel-plated
FV	Gunmetal V52	JG	Aluminium 5	YQ	Black Nickel
GR	Raw	JL	Aluminium PE 11	Z9	Black Zinc
HA	Brass-Plated	JM	Aluminium RAL 9006	ZA	Zinc alloy
HH	Tropicalized	KA	Chrome	ZN	Zinc-plated
HL	Raw Brass	KB	Bright Chrome	ZQ	Bright Gold
HX	Graphite	KC	Matt Chrome	ZY	Titanium
IA	Grey	NN	Metallic Beige	ZZ	Clear
IB	Metallic Grey	RO	Red		

## K PUSH TECH

K PUSH TECH is the fully renewed and extended program of automatic opening systems for doors without handles or knobs.

A special inner mechanism provides a very silent, yet powerful utilization, granting a long durability which makes it perfectly suitable for a wide range of doors.

K PUSH TECH is available with buffer, for cabinets using sprung hinges, and with magnet, for cabinets using unsprung hinges or negative hinges. The aesthetic of buffers is now improved and the range of catch plates for version with magnet is even wider.

It comes with a fresh new and even more captivating design, together with an extended program, including an innovated range of spring strengths, in order to guarantee the correct functioning even with large and heavy doors, and three lengths of the output paths: Short – 14 mm, Medium – 20 mm, Long – 37 mm.

The same reference can be installed either concealed or visible, fixed with adapter housing.

The visible versions' package is composed of: push-to-open system, adapter plate and adapter housing. The new adapter housing allows to pre-install K PUSH TECH with the plate on the side of the cabinet and leave the ejector pin deactivated during its handling and transportation.

The suitability of the small adapter housing for both short and medium size versions guarantees a simplified stock management.

It comes with a wide range of colors: white, grey 19 and black anthracite.

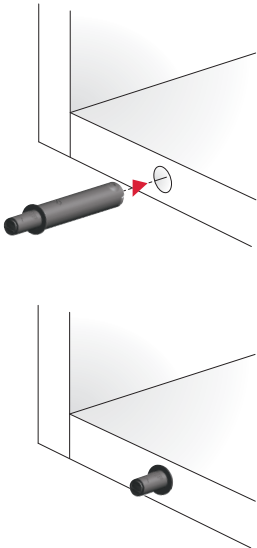
Gap between door and cabinet is reduced: activation gap is 1,4 mm, ring thickness is 0,6 mm.

Increased adjustment feature: +6 / -0,45 mm. Beyond this negative adjustment the spring is deactivated.

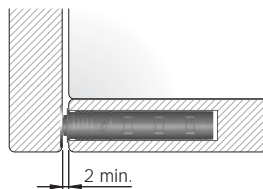
This feature allows to disable the ejector pin for safety reasons.

PATENT PENDING  
REGISTERED DESIGN  
ISO 7170/05

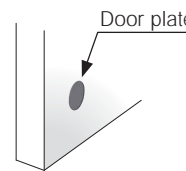
### INSTALLATION TO BE EMBEDDED INSIDE THE PANEL



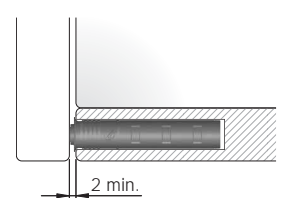
WITH MAGNET  
for cabinets using **unsprung hinges** or **negative hinges**.



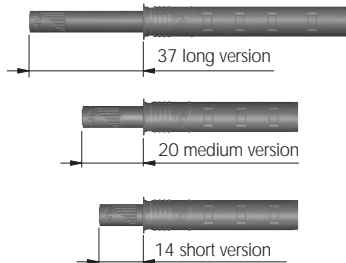
For details refer to  
"K PUSH TECH AND  
K LOCK DOOR PLATES".



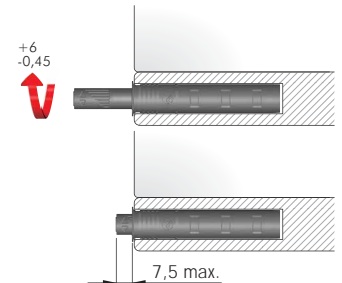
WITH BUFFER  
for cabinets using **sprung hinges**.



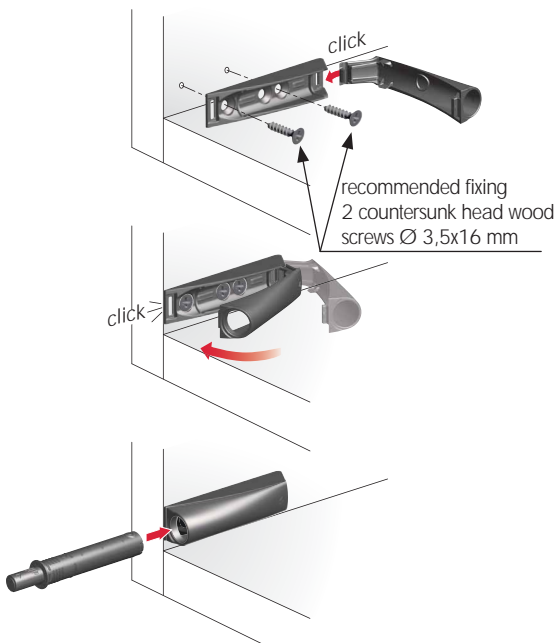
### VERSIONS



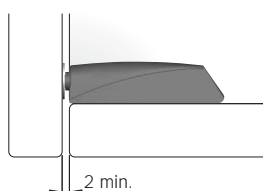
### ADJUSTMENTS



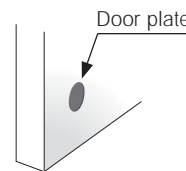
### INSTALLATION THROUGH ADAPTER HOUSING



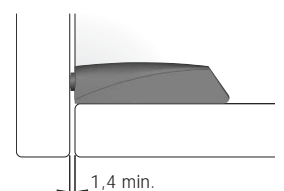
WITH MAGNET  
for cabinets using **unsprung hinges** or **negative hinges**.



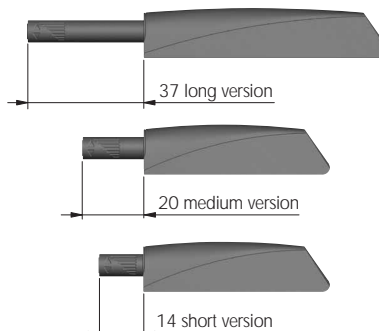
For details refer to  
"K PUSH TECH AND  
K LOCK DOOR PLATES".



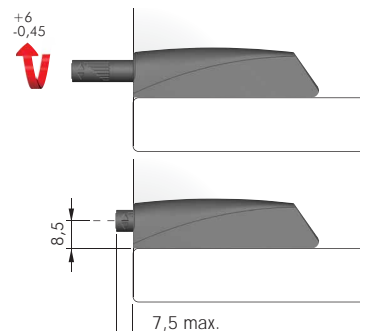
WITH BUFFER  
for cabinets using **sprung hinges**.



### VERSIONS

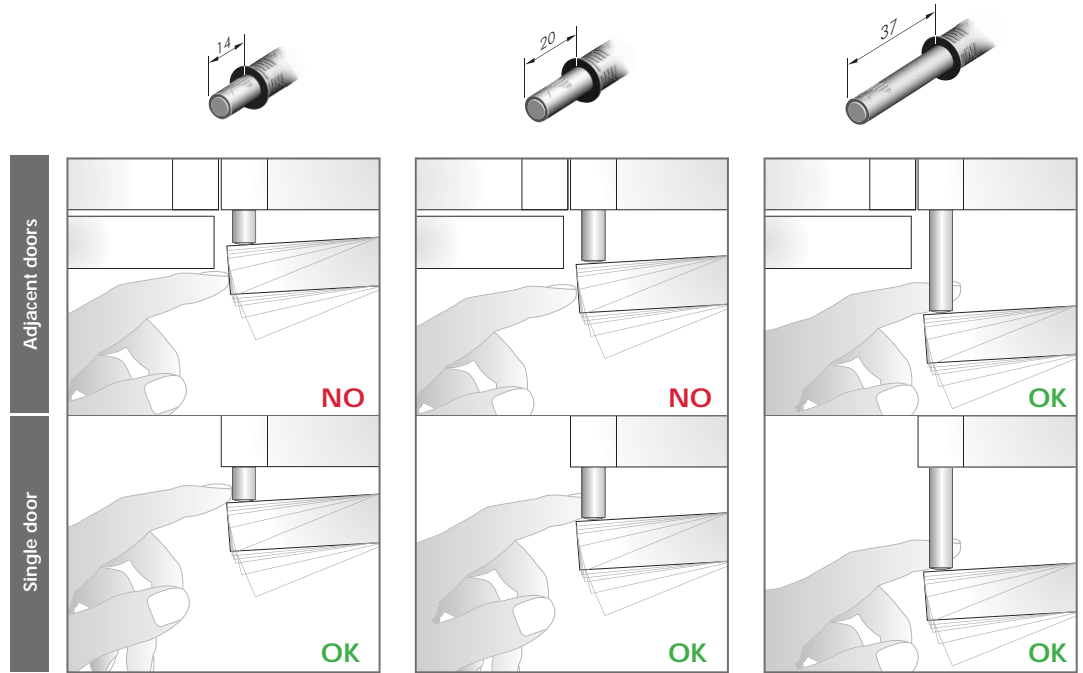
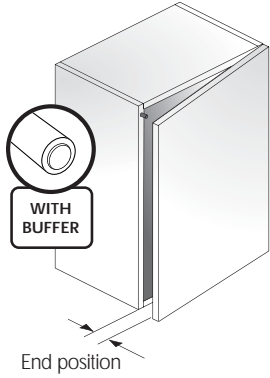
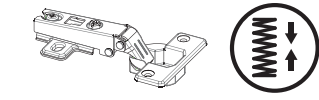


### ADJUSTMENTS

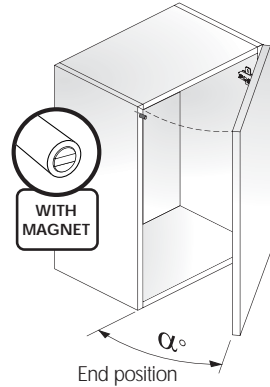
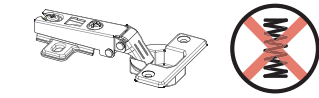




### APPLICATION WITH SPRUNG HINGES



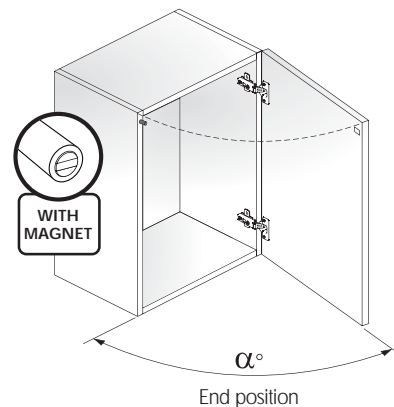
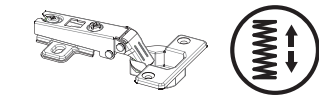
### APPLICATION WITH UNSPRUNG HINGES



Door dimensions	Range weight	Indicative $\alpha^\circ$ end door position				
		14	20	20 (STRONG)	37	37 (STRONG)
Small door size	2 - 5 kg	$\pm 30^\circ$	$\pm 37^\circ$	$\pm 40^\circ$	$\pm 55^\circ$	$\pm 70^\circ$
Medium door size	5 - 8 kg	$\pm 25^\circ$	$\pm 30^\circ$	$\pm 35^\circ$	$\pm 45^\circ$	$\pm 50^\circ$
Large door size	15 - 18 kg	$\pm 20^\circ$	$\pm 28^\circ$	$\pm 30^\circ$	$\pm 40^\circ$	$\pm 45^\circ$
Maxi door size	30 - 35 kg	-	$\pm 20^\circ$	$\pm 25^\circ$	$\pm 30^\circ$	$\pm 35^\circ$

Small and Medium door size tested with 2 hinges. Large and Maxi size doors tested with 5 hinges. Please note that test results are indicative. End door position may vary depending on hinge brand.

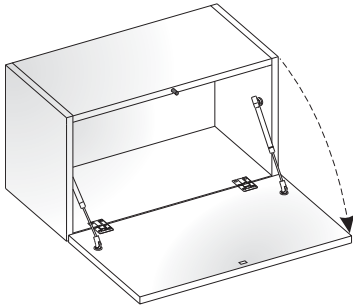
### APPLICATION WITH NEGATIVE HINGES



Door dimensions	Range weight	Indicative $\alpha^\circ$ end door position				
		14	20	20 (STRONG)	37	37 (STRONG)
Small door size	2 - 5 kg	$\pm 85^\circ$	$\pm 90^\circ$	$\pm 95^\circ$	Over $95^\circ$	Over $95^\circ$
Medium door size	5 - 8 kg	$\pm 70^\circ$	$\pm 85^\circ$	$\pm 90^\circ$	Over $95^\circ$	Over $95^\circ$
Large door size	15 - 18 kg	$\pm 40^\circ$	$\pm 50^\circ$	$\pm 60^\circ$	$\pm 70^\circ$	$\pm 80^\circ$
Maxi door size	30 - 35 kg	-	$\pm 35^\circ$	$\pm 40^\circ$	$\pm 50^\circ$	$\pm 60^\circ$

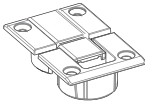
Small and Medium door size tested with 2 hinges. Large and Maxi size doors tested with 5 hinges. Please note that test results are indicative. End door position may vary depending on hinge brand.

## DROP DOWN DOORS

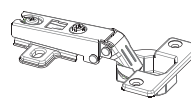


Please note that all technical specifications are based on cabinets assembled only with Italiana Ferramenta products.

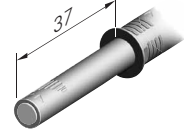
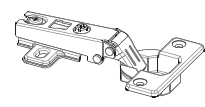
### APPLICATION WITH: KIMANA HINGES



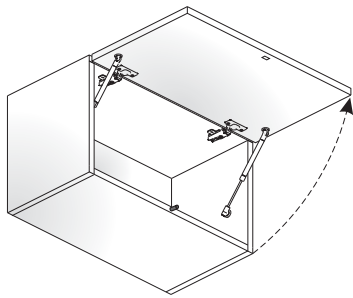
### APPLICATION WITH: UNSPRUNG HINGES



### APPLICATION WITH: SPRUNG HINGES

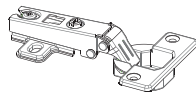


## LIFT UP DOORS



Please note that all technical specifications are based on cabinets assembled only with Italiana Ferramenta products.

### APPLICATION WITH: UNSPRUNG HINGES

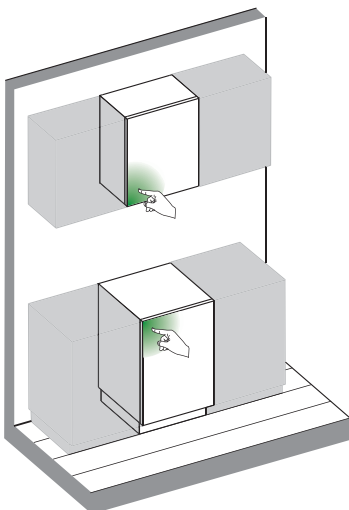
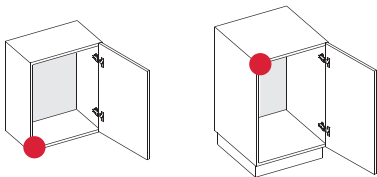


## SUGGESTED INSTALLING SPOTS FOR K PUSH TECH

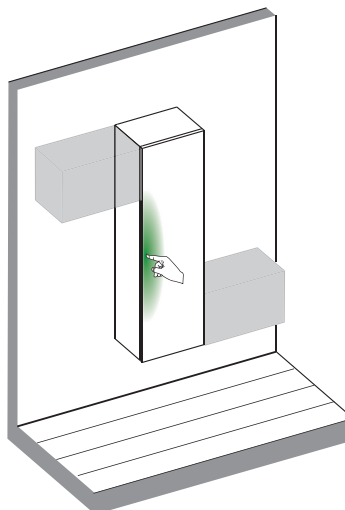
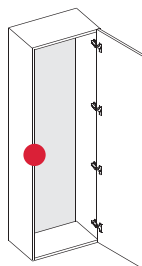
● = K PUSH TECH suggested spot

● = Activating area of K PUSH TECH

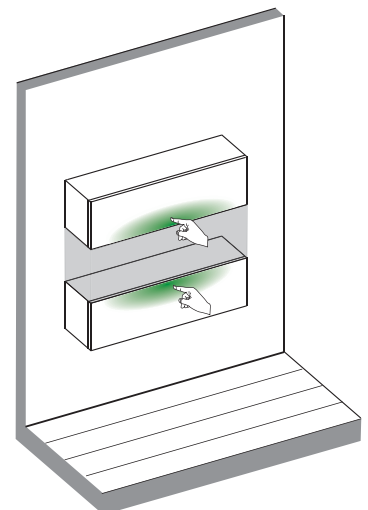
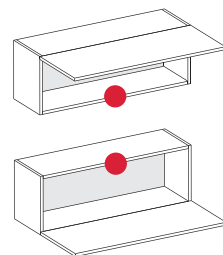
### BASE CABINETS AND UPPER CABINETS WITH HINGED DOORS

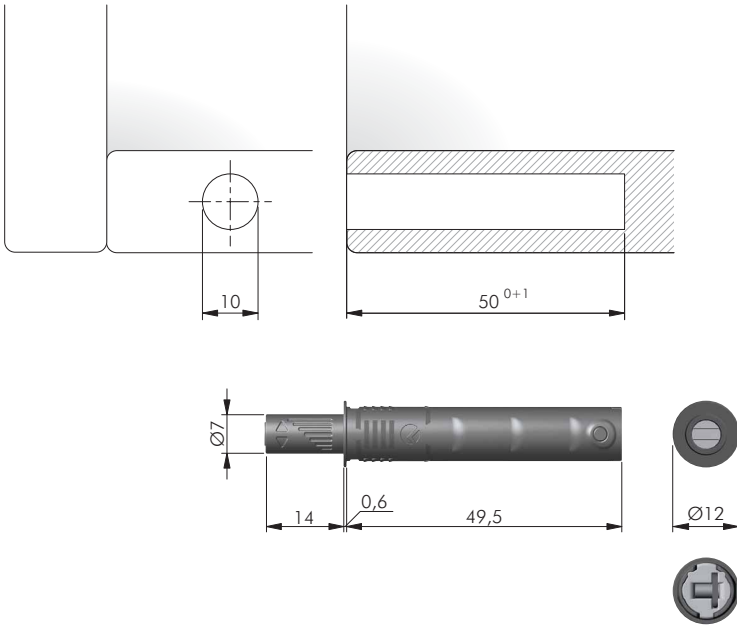


### TALL CABINETS WITH HINGED DOORS



### BASE CABINETS AND UPPER CABINETS WITH FLAP DOORS





ST
EP

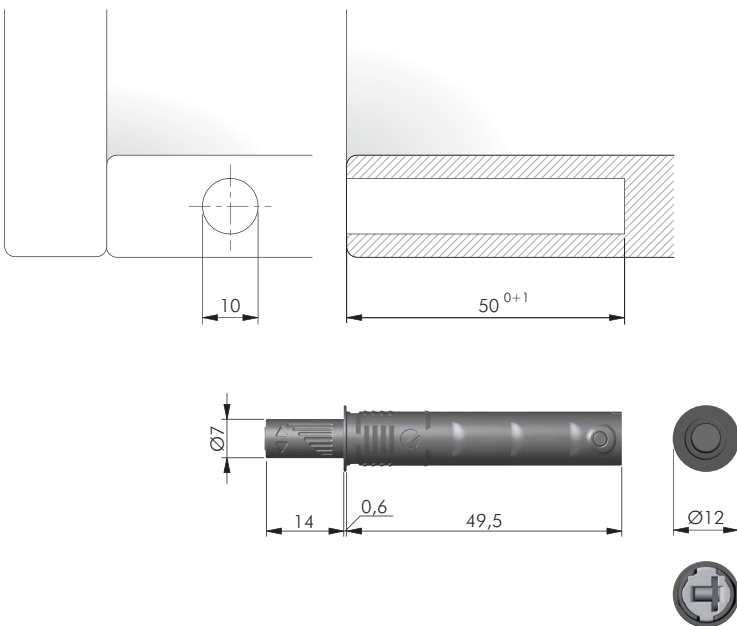
= 100 pcs.

---

**57002020EE**

**57002020IJ**

**57002020AB**



ST
EP
SR

= 100 pcs.

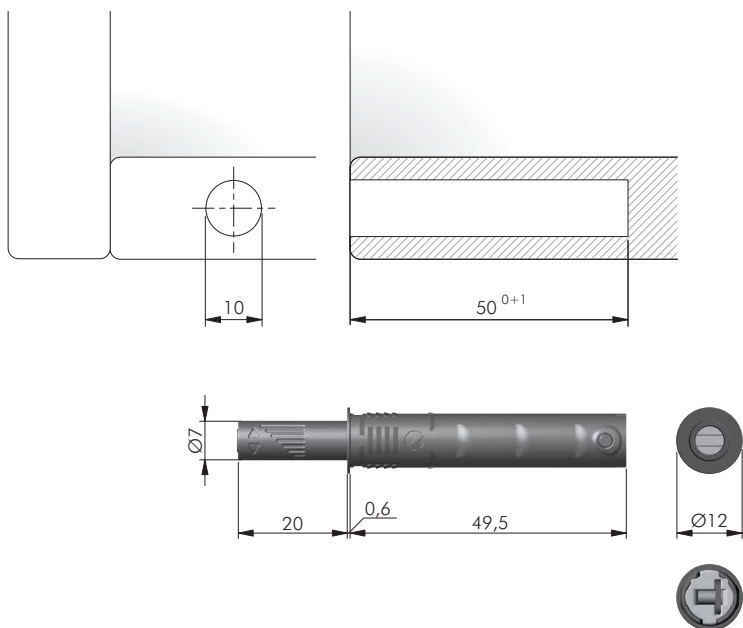
---



**57002040EE**



**57002040IJ**



**57002040AB**



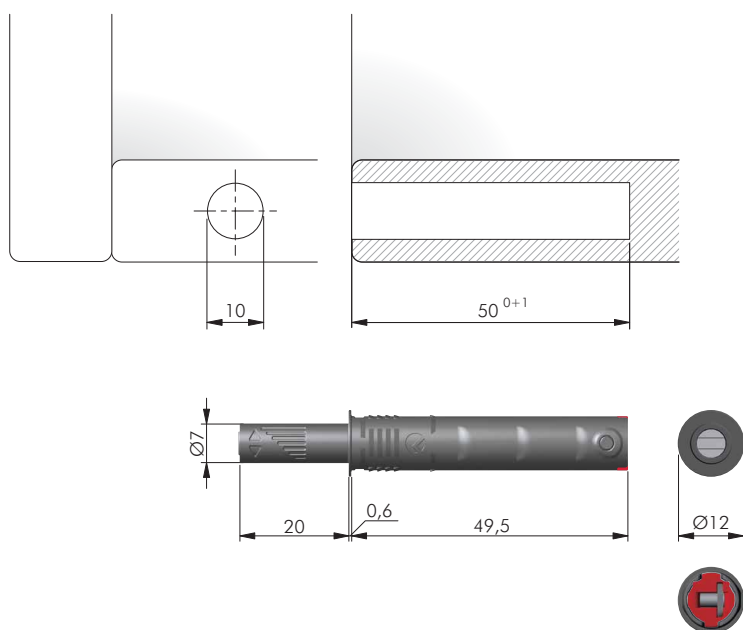





 = 100 pcs.



 ST
  EP






**57004020EE**  
**57004020IJ**  
**57004020AB**




**STRONG VERSION**
 = 100 pcs.

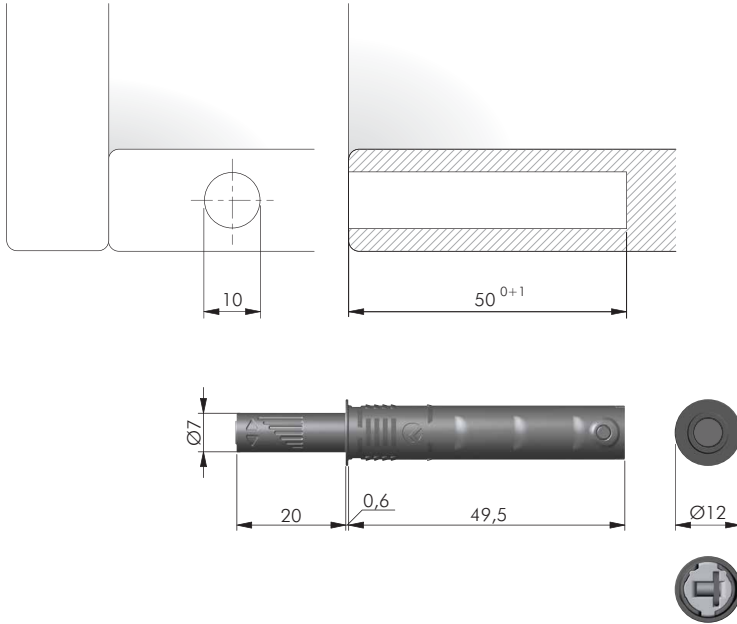
 ST
  EP

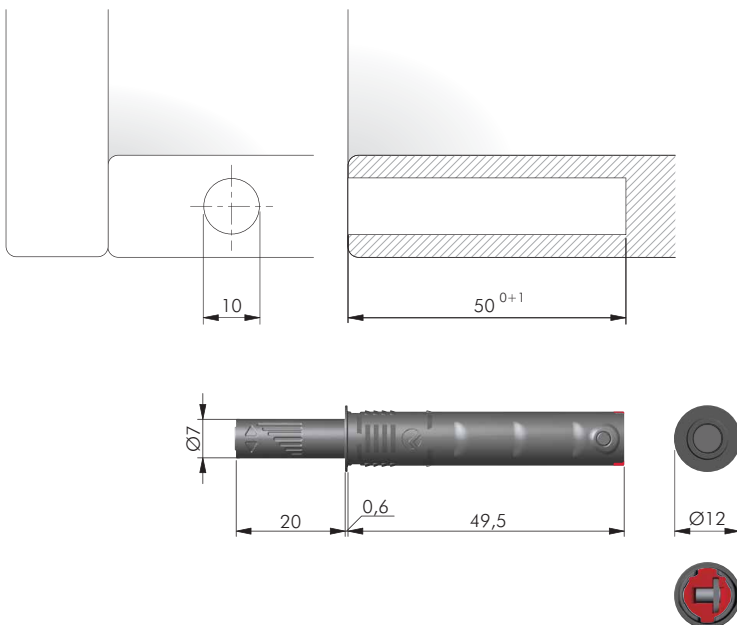
**57004060EE**  
**57004060IJ**  
**57004060AB**







	ST	EP	SR	= 100 pcs.
<b>57004040EE</b>				
<b>57004040IJ</b>				
<b>57004040AB</b>				

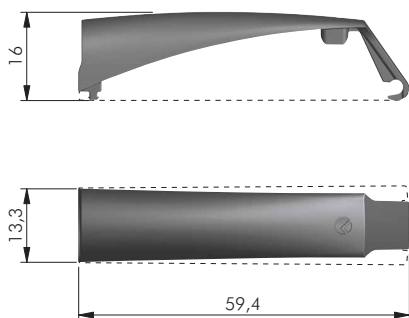


				<b>STRONG VERSION</b>
ST	EP	SR	= 100 pcs.	
<b>57004080EE</b>				
<b>57004080IJ</b>				
<b>57004080AB</b>				





## ADAPTER HOUSING AND PLATE FOR **SHORT** AND **MEDIUM** VERSIONS



EP

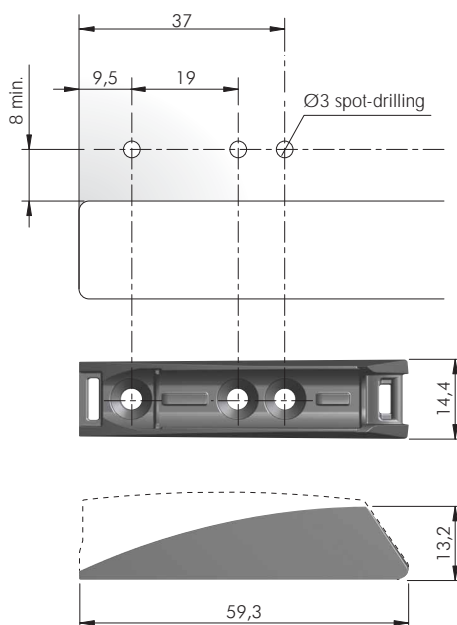
= 100 pcs.



57015020**EE**

57015020**IJ**

57015020**AB**



= Ø 3 mm

EP

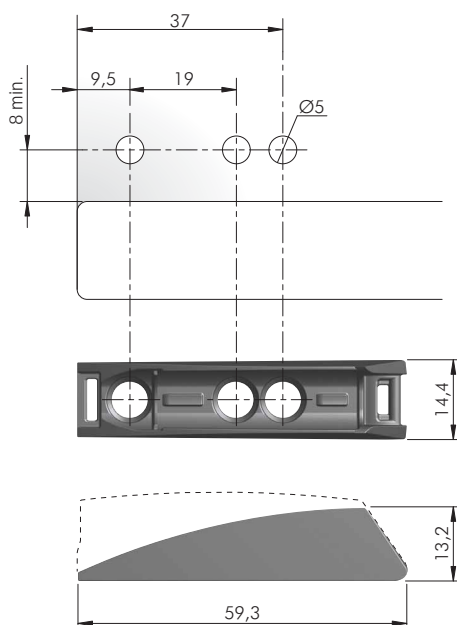
= 100 pcs.



57015040**EE**

57015040**IJ**

57015040**AB**



= Ø 5 mm

EP

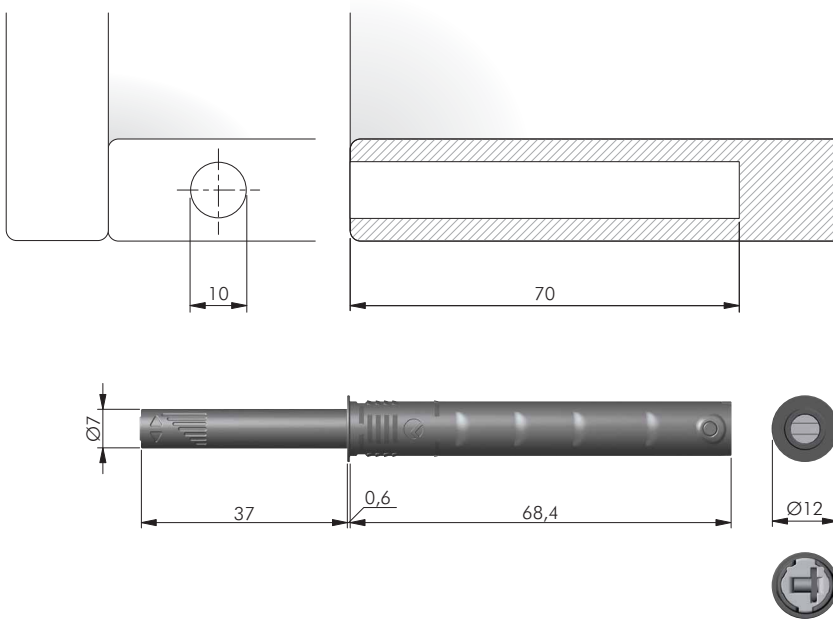
= 100 pcs.









57015060**EE**

57015060**IJ**

57015060**AB**



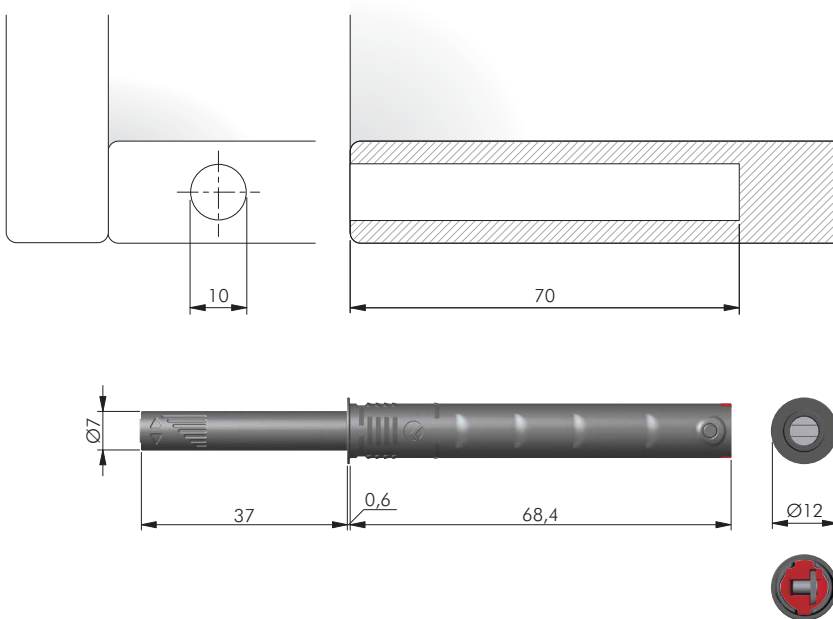



 = 100 pcs.









57008020EE



57008020IJ

57008020AB




**STRONG VERSION**
 = 100 pcs.

57008060EE

57008060IJ

57008060AB

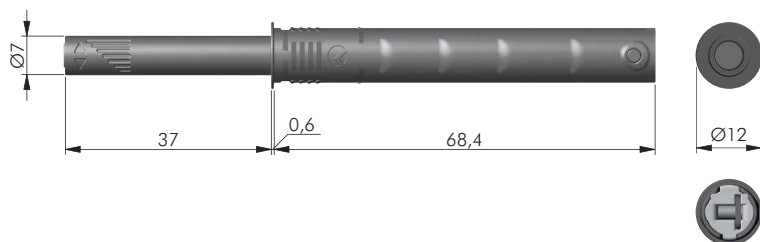
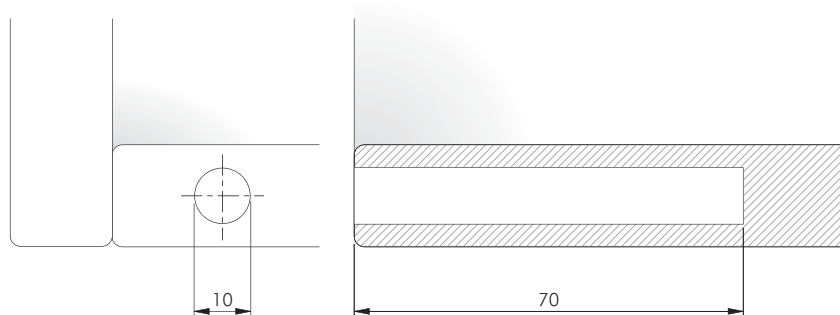





PUSH  
CATCHES AND  
MAGNETIC  
CATCHES

# K PUSH TECH

**ITALIANA**  
ferramenta







ST

EP

SR

 = 100 pcs.


---




**57008040EE**


**57008040IJ**

**57008040AB**






**STRONG VERSION**

 = 100 pcs.


---



**57008080EE**

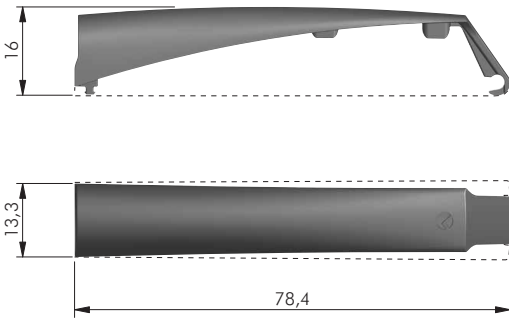
**57008080IJ**

**57008080AB**





## ADAPTER HOUSING AND PLATE FOR LONG VERSION



EP

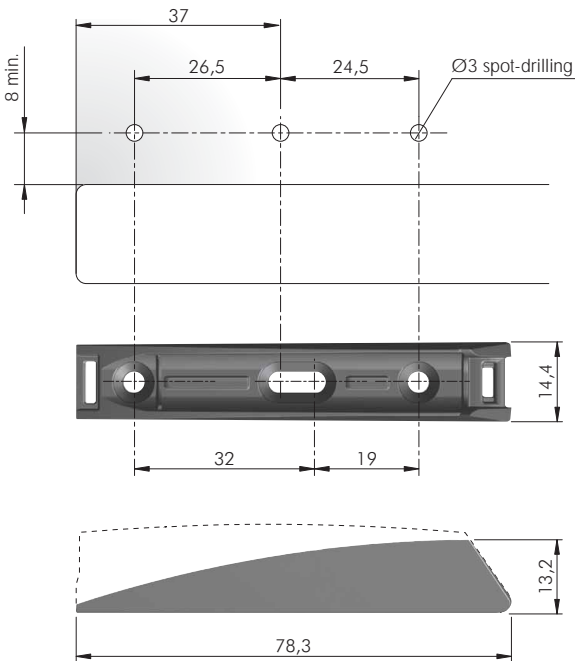
= 100 pcs.



57025020EE

57025020IJ

57025020AB



= Ø 2,5 mm

EP

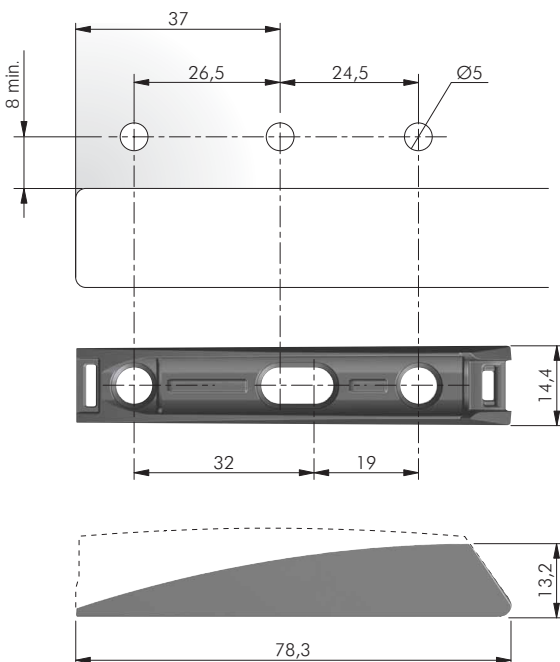
= 100 pcs.



57025040EE

57025040IJ

57025040AB



= Ø 5 mm

EP

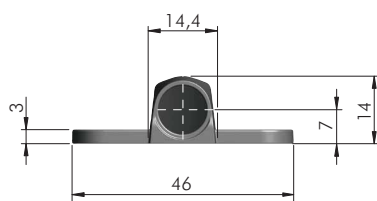
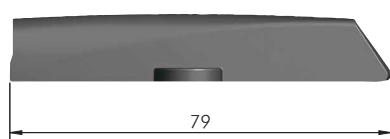
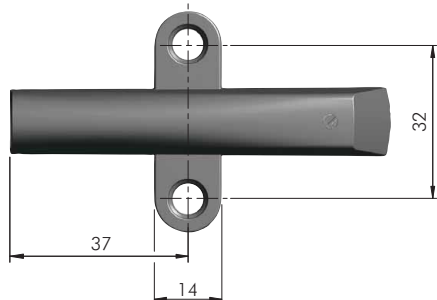
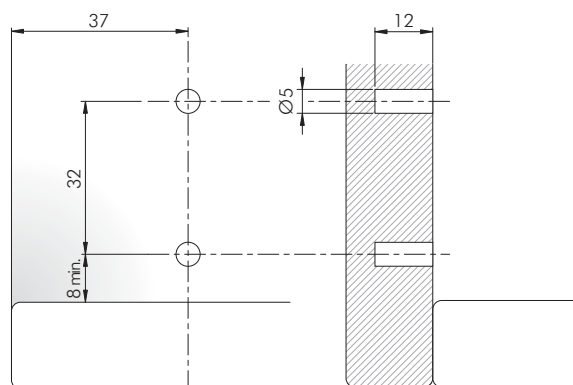
= 100 pcs.



57025060EE

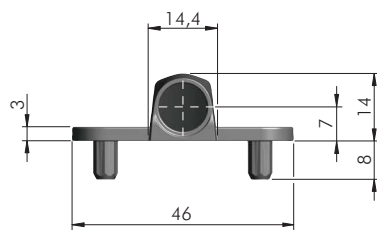
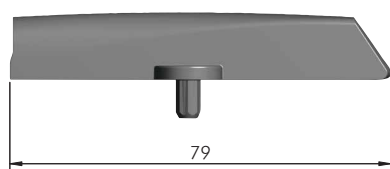
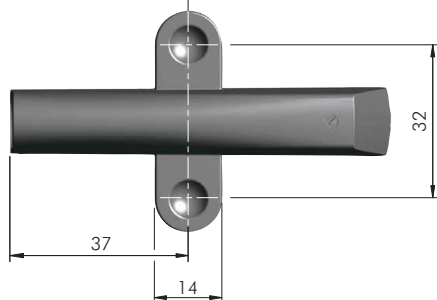
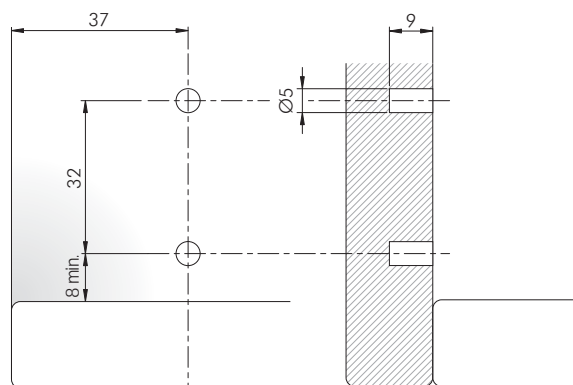
57025060IJ

57025060AB



=  $\varnothing 5$  mm  
 = 100 pcs.

**57010080EE**  
**57010080IJ**  
**57010080AB**



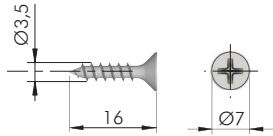
=  $\varnothing 5$  mm  
 = 100 pcs.

**57010100EE**  
**57010100IJ**  
**57010100AB**





## FIXING ACCESSORY FOR K PUSH TECH ADAPTER PLATES PART NO. 57015040, 57025040



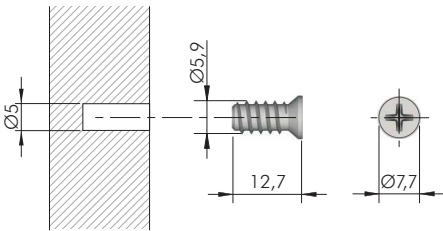
= Ø 3 mm +

= PZ2

= 10.000 pcs.

**60101390ZN**

## FIXING ACCESSORY FOR K PUSH TECH ADAPTER PLATES PART NO. 57015060, 57025060, 57010080



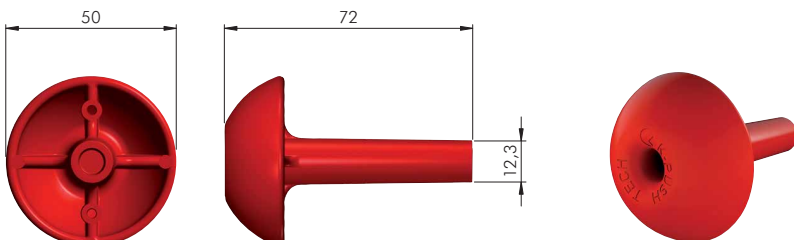
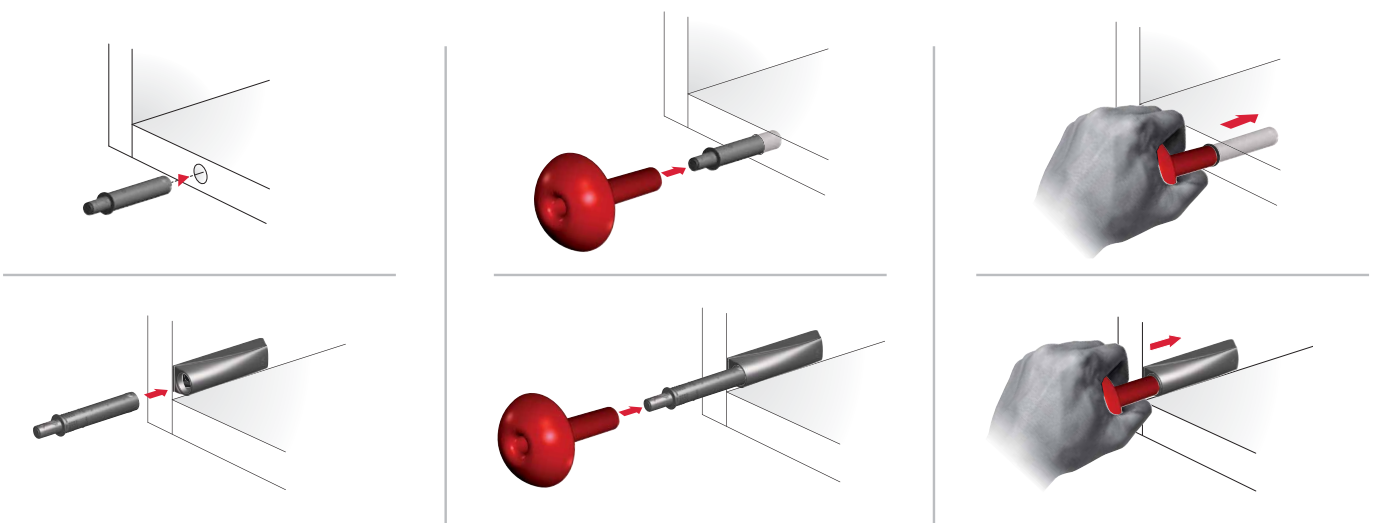
= Ø 5 mm +

= PZ2

= 5000 pcs.

**60501050YA**

## K PUSH TECH INSTALLING TOOL

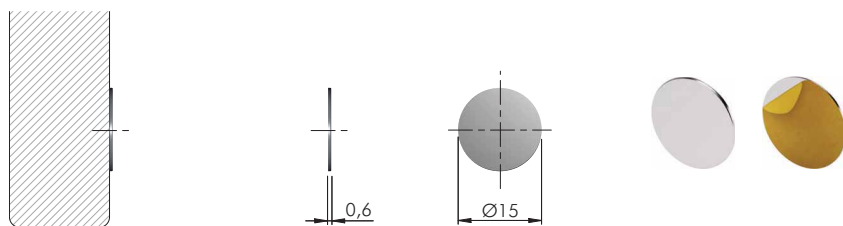


= on request

**57112000RO**



## K PUSH TECH AND K LOCK DOOR PLATES

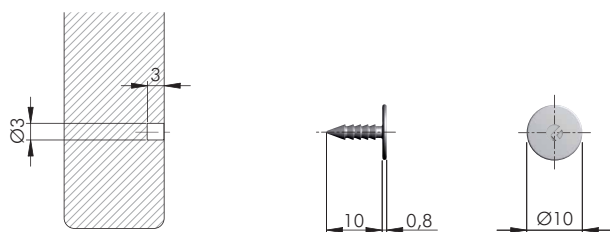


ST

= 100 pcs.



55006160XD



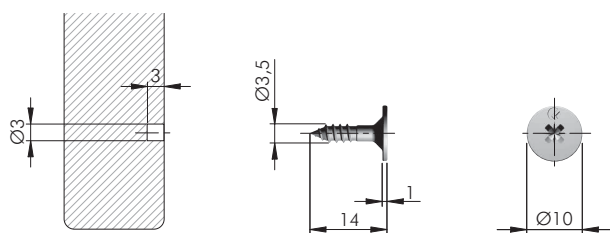
= Ø 3 mm

ST

= 100 pcs.



55006030YA



= Ø 3 mm



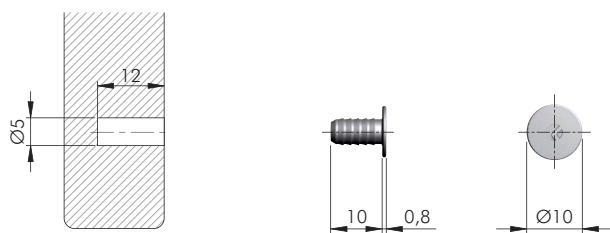
= PZ2

ST

= 100 pcs.



55006100YA



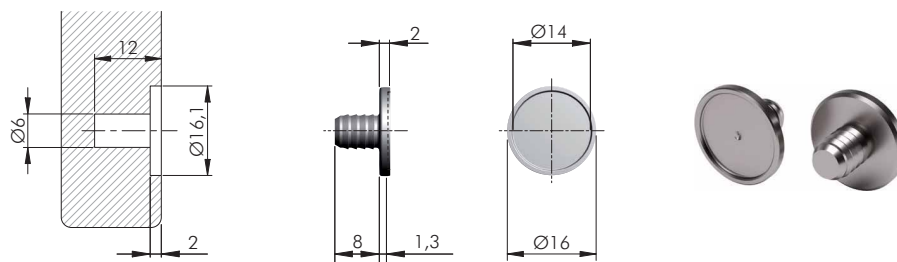
= Ø 5 mm

ST

= 100 pcs.



55006040YA



= Ø 6 mm

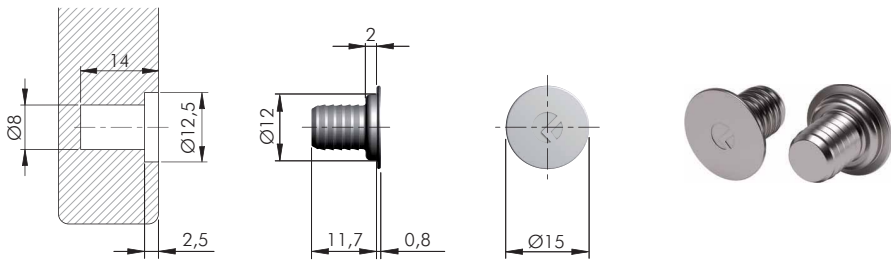
ST

= 100 pcs.



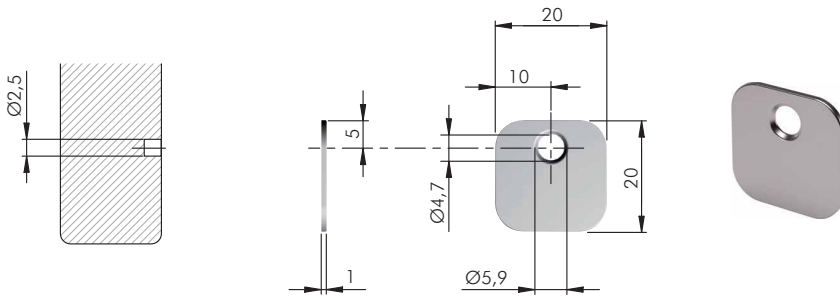
55006070YA





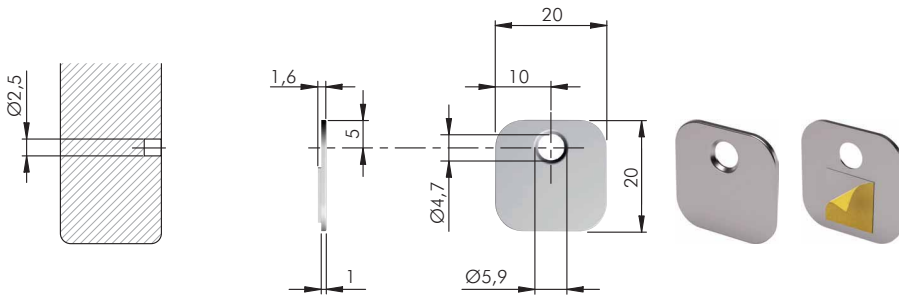
= Ø 8 mm  
 = 100 pcs.

**55006050YA**



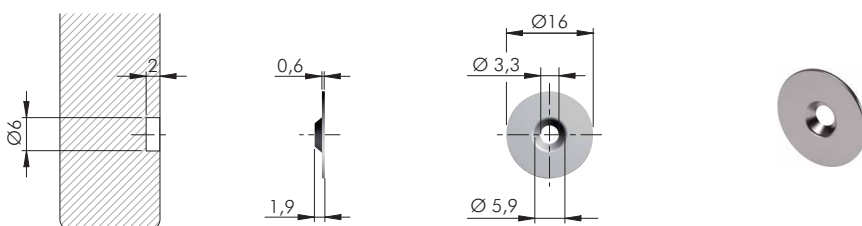
= Ø 2,5 mm  
 = 100 pcs.

**55006120YA**



= Ø 2,5 mm  
 = 100 pcs.

**55006170YA**

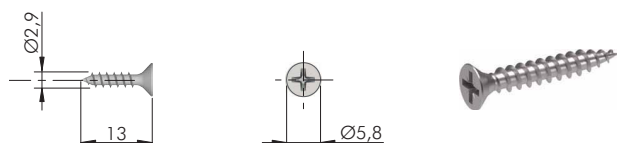


= Ø 6 mm  
 = 100 pcs.

**55006130YA**

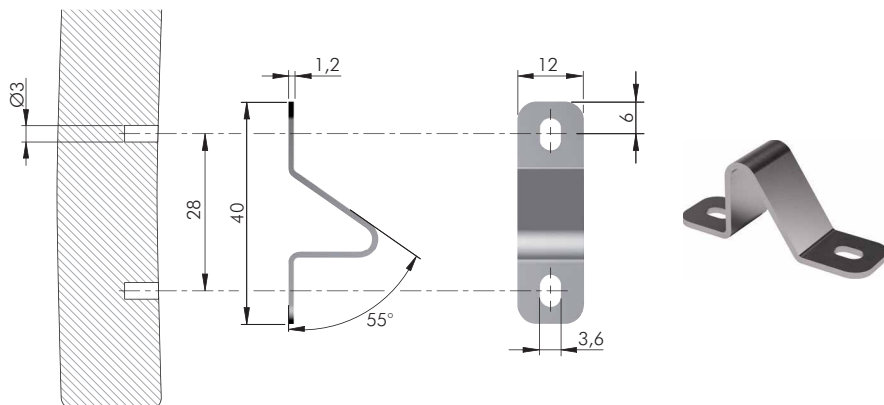
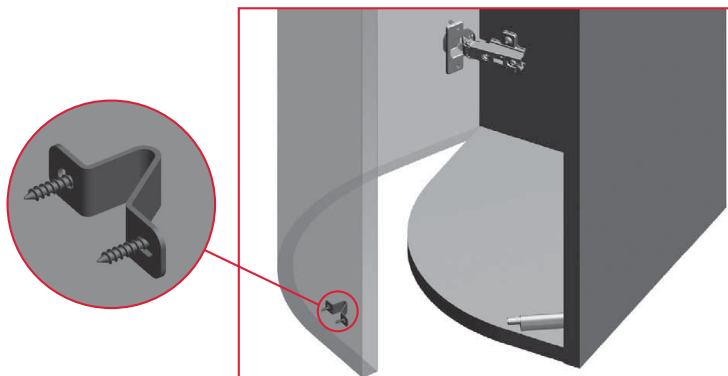


## ACCESSORY FOR PART NO. 55006130YA AND 55006120YA



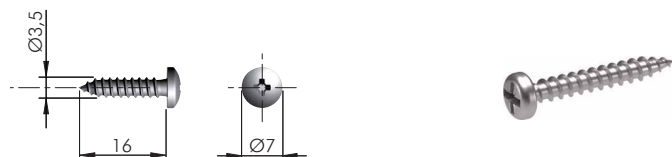
	= Ø 2,5 mm	
	= PZ1	
ST		
		= on request
60201140YA		

## PLATE FOR K PUSH WITH ADAPTER HOUSING FOR CURVED DOORS



	= Ø 3 mm	
ST		
		= 100 pcs.
55006110YA		

## ACCESSORY FOR PART.NO 55006110YA



	= Ø 3 mm	
	= PZ1	
ST		
		= on request
60103140YA		

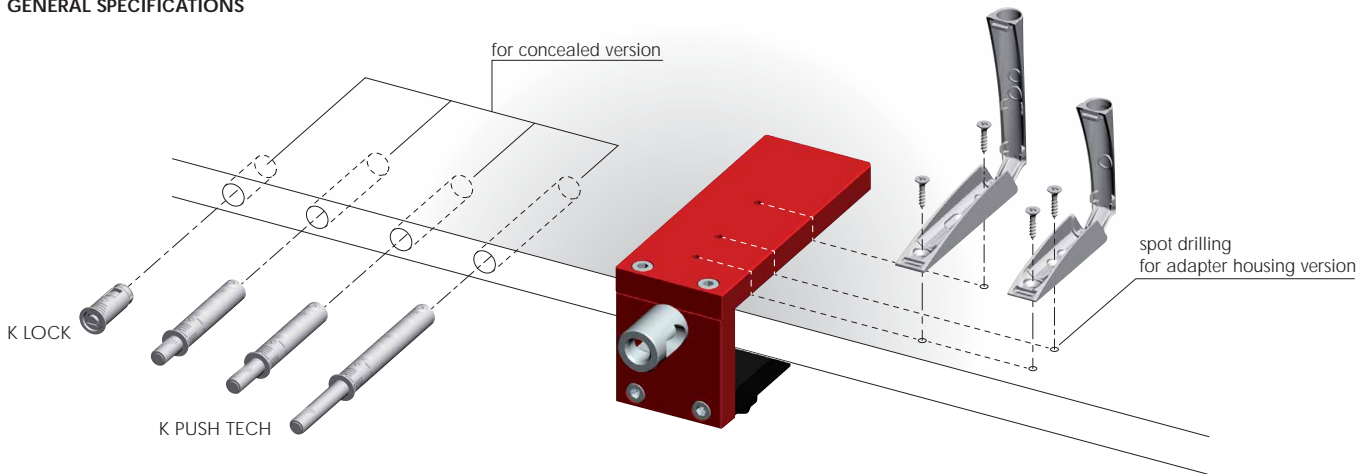


## DRILLING JIG K PUSH TECH

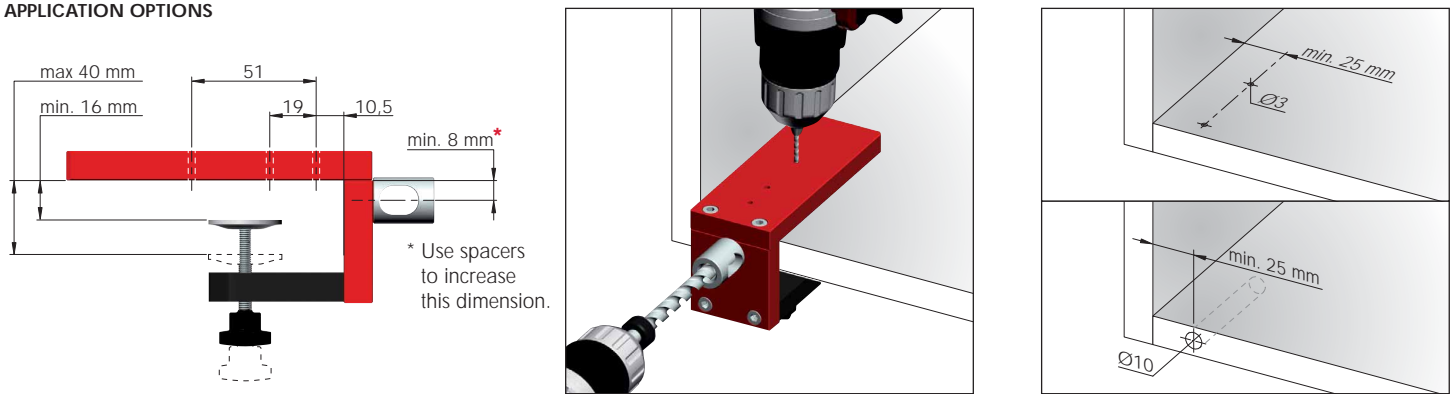


16 - 40 mm 

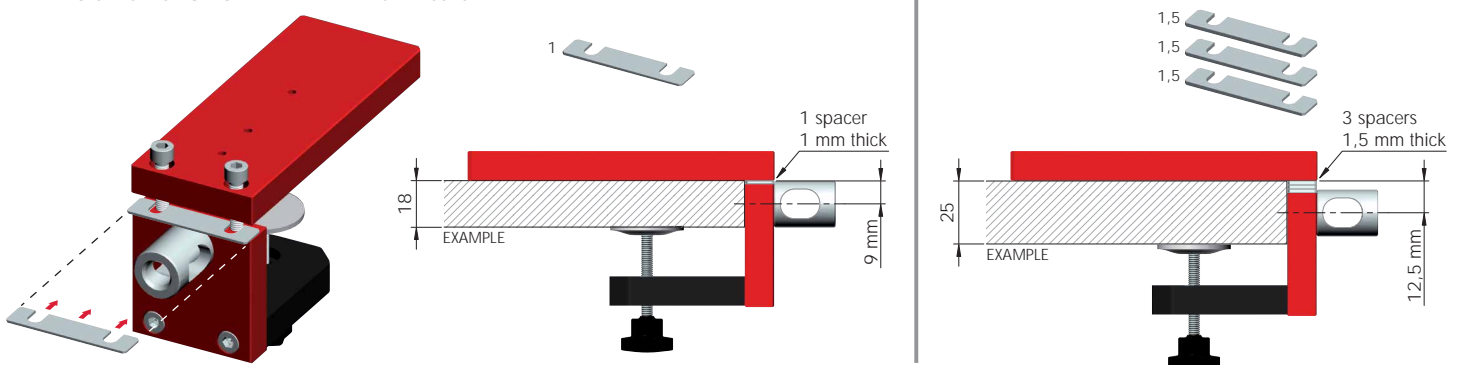
### GENERAL SPECIFICATIONS



### APPLICATION OPTIONS

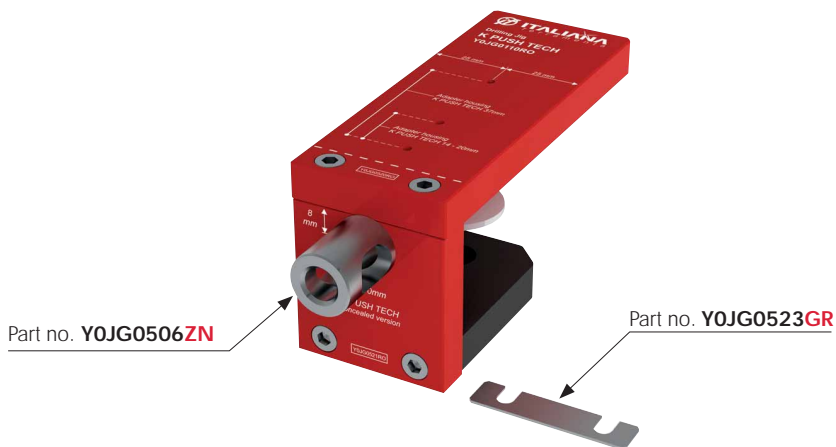


### DRILLING SPACERS FOR OTHER PANEL THICKNESSES





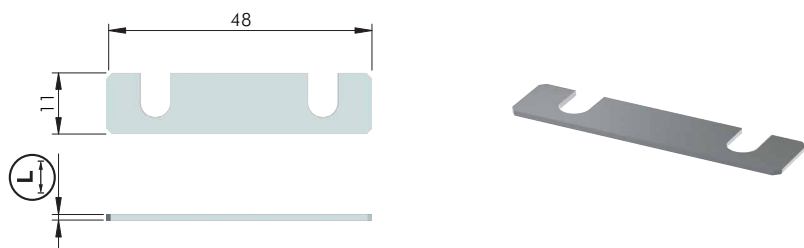
## K PUSH TECH DRILLING JIG FOR PANEL THICKNESS 16 AND 18 mm



AL	ST	EP	= on request
<b>YOJG0110RO</b>			

NOTE: The product code includes all the components shown in the picture.

## K PUSH TECH DRILLING JIG ACCESSORIES



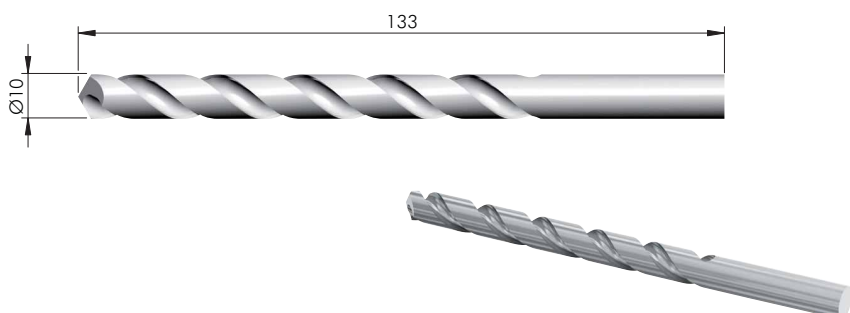
AL	= on request	
<b>YOJG0523GR</b>	1	
<b>YOJG0524GR</b>	1,5	

## DRILLING JIG DEPTH STOP COLLARS



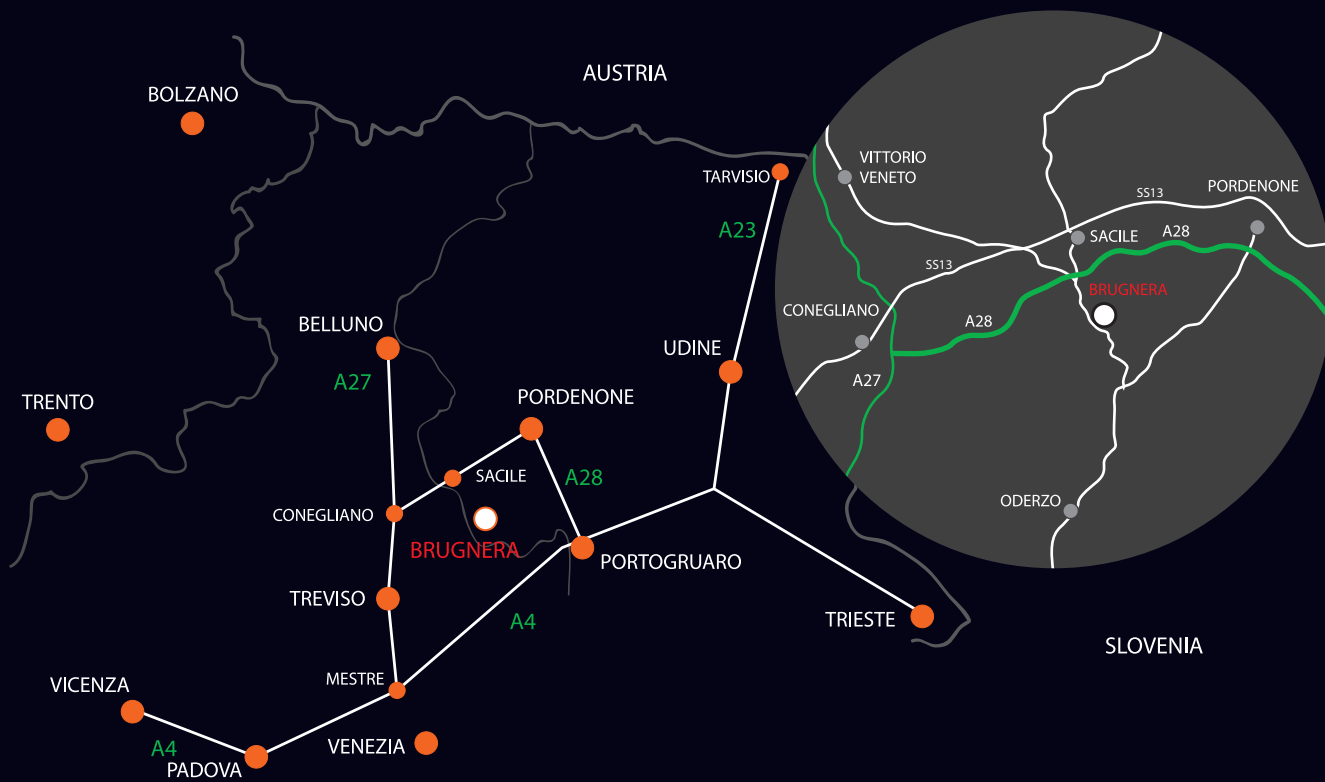
ST	= on request	
<b>YOJG051800</b>	Ø10	

## DRILL BIT



HSS	= on request	
<b>YOJG052900</b>		

NOTE: For drilling jig we recommend to use precision-ground steel drill bit HSS-G.



[www.italianaferramenta.com](http://www.italianaferramenta.com)