



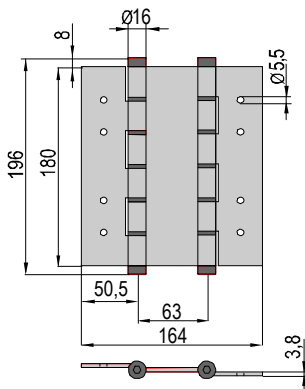
PETTITI GIUSEPPE s.p.a.

CERNIERE A MOLLA

SPRING-HINGE

CHARNIÈRE À RESSORT

CERNIERA A MOLLA A DOPPIA AZIONE, IN ALLUMINIO



Spring-hinge with double action, in aluminium.

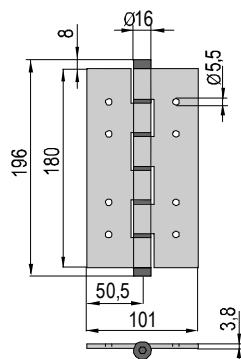
Charnière à ressort à double action, en aluminium.

Per profilo R50
For profile R50
Pour profil R50

CMD180/N	Colore nero Black colour Couleur noire
CMD180/B	Colore bianco White colour Couleur blanc
CMD180/A	Colore alluminio Aluminium colour Couleur aluminium
CMD180/O	Anodizzato oro Gold anodized Anodisé or
CMD180/AV	Colore avorio (RAL1013) Ivory colour (RAL1013) Couleur ivory (RAL1013)
CMD180/CL	Cromo lucido Polished chrome Chrome pulli
CMD180/R	Rame satinato Satin copper Satin cuivre

ART.	Portata Capacity	Confez. Box	Peso Kg Weight
CMD180/N	20 Kg	10	0,498
CMD180/B	20 Kg	10	0,498
CMD180/A	20 Kg	10	0,498
CMD180/O	20 Kg	10	0,498
CMD180/AV	20 Kg	10	0,498
CMD180/CL	20 Kg	10	0,498
CMD180/R	20 Kg	10	0,498

CERNIERA A MOLLA A SINGOLA AZIONE, IN ALLUMINIO



Spring-hinge with single action, in aluminium.

Charnière à ressort à simple action, en aluminium.

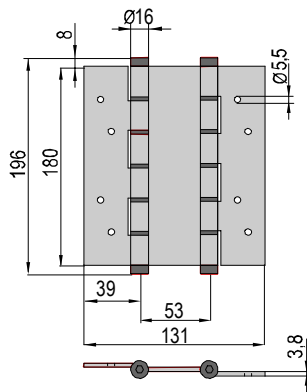
Per profilo R50
For profile R50
Pour profil R50

CMS180/N	Colore nero Black colour Couleur noire
CMS180/B	Colore bianco White colour Couleur blanc
CMS180/A	Colore alluminio Aluminium colour Couleur aluminium
CMS180/O	Anodizzato oro Gold anodized Anodisé or
CMS180/AV	Colore avorio (RAL1013) Ivory colour (RAL1013) Couleur ivory (RAL1013)
CMS180/CL	Cromo lucido Polished chrome Chrome pulli
CMS180/R	Rame satinato Satin copper Satin cuivre

ART.	Portata Capacity	Confez. Box	Peso Kg Weight
CMS180/N	20 Kg	10	0,277
CMS180/B	20 Kg	10	0,277
CMS180/A	20 Kg	10	0,277
CMS180/O	20 Kg	10	0,277
CMS180/AV	20 Kg	10	0,277
CMS180/CL	20 Kg	10	0,277
CMS180/R	20 Kg	10	0,277



CERNIERA A MOLLA A DOPPIA AZIONE, IN ALLUMINIO



Spring-hinge with double action, in aluminium.

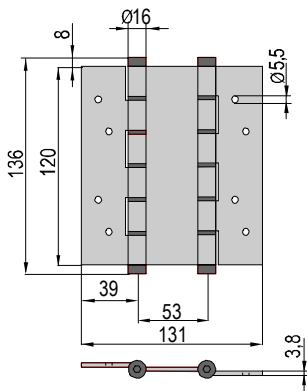
Charnière à ressort à double action, en aluminium.

**NOVITÀ - NEW
NOUVEAU**

CPMD180/N	Colore nero Black colour Couleur noire
CPMD180/B	Colore bianco White colour Couleur blanc
CPMD180/A	Colore alluminio Aluminium colour Couleur aluminium
CPMD180/O	Anodizzato oro Gold anodized Anodisé or
CPMD180/CL	Cromo lucido Polished chrome Chrome poli

ART.	Portata Capacity	Confz. Box	Peso Kg Weight
CPMD180/N	20 Kg	10	0,450
CPMD180/B	20 Kg	10	0,450
CPMD180/A	20 Kg	10	0,450
CPMD180/O	20 Kg	10	0,450
CPMD180/CL	20 Kg	10	0,450

CERNIERA A MOLLA A DOPPIA AZIONE, IN ALLUMINIO



Spring-hinge with double action, in aluminium.

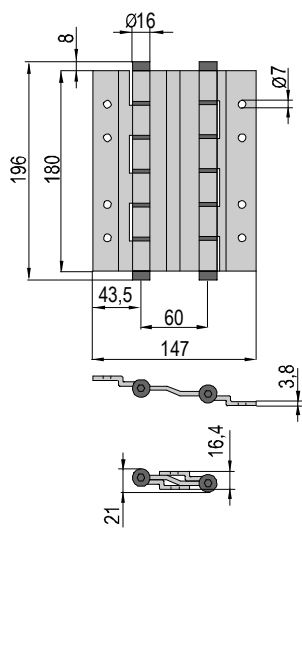
Charnière à ressort à double action, en aluminium.

**NOVITÀ - NEW
NOUVEAU**

CMD120/N	Colore nero Black colour Couleur nero
CMD120/B	Colore bianco White colour Couleur blanc
CMD120/A	Colore alluminio Aluminium colour Couleur aluminium
CMD120/O	Anodizzato oro Gold anodized Anodisé or
CMD120/BR	Anodizzato bronzo Anodized bronze Anodisé bronze

ART.	Portata Capacity	Confz. Box	Peso Kg Weight
CMD120/N	15 Kg	10	0,350
CMD120/B	15 Kg	10	0,350
CMD120/A	15 Kg	10	0,350
CMD120/O	15 Kg	10	0,350
CMD120/BR	15 Kg	10	0,350

CERNIERA A MOLLA A DOPPIA AZIONE, PIEGATA, IN ALLUMINIO



Cerniera a molla, a doppia azione, piegata, in alluminio. Con 2 piastre di fissaggio in alluminio e viti.

Spring-hinge with double action, bent, in aluminium. With 2 mounting plates in aluminium and screws.

Charnière à ressort à double action, bent, en aluminium. Avec 2 platine de montage et vis.

CMD180P/N	Colore nero Black colour Couleur nero
CMD180P/B	Colore bianco White colour Couleur blanc
CMD180P/A	Colore alluminio Aluminium colour Couleur aluminium
CMD180P/BR	Anodizzato bronzo Anodized bronze Anodisé bronze
CMD180P/AV	Colore avorio (RAL1013) Ivory colour (RAL1013) Couleur ivory (RAL1013)

Per profilo R40
For profile R40
Pour profil R40

**NOVITÀ - NEW
NOUVEAU**

ART.	Portata Capacity	Confz. Box	Peso Kg Weight
CMD180P/N	15 Kg	10	0,624
CMD180P/B	15 Kg	10	0,624
CMD180P/A	15 Kg	10	0,624
CMD180P/BR	15 Kg	10	0,624
CMD180P/AV	15 Kg	10	0,624