

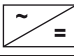


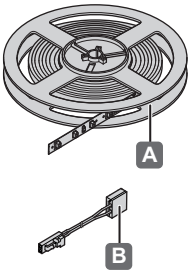


LED 2013

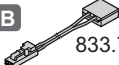
833.73.336	833.73.343
833.73.337	833.73.350
833.73.338	833.73.360

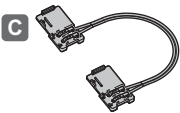
12V System	K	W	T _A	 mm	 mm	
833.73.338	2700 K	4.8W/m	-20 °C – +35 °C -4 °F – +95 °F	5000 x 8 x 2.4	≥ 5010 x 18 x 12.4	833.74.900
833.73.337	3200 K					833.74.901
833.73.336	4000 K					833.74.913
833.73.343	6500 K					833.74.914
833.73.350	blue					833.74.917
833.73.360	red					833.74.918


732.28.208



+

B  833.74.871

C 


D  833.74.874


50 mm 833.74.870

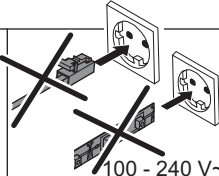
500 mm 833.74.872

1000 mm 833.74.875

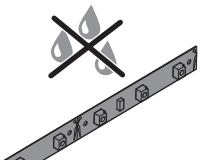
2000 mm 833.74.873

i 




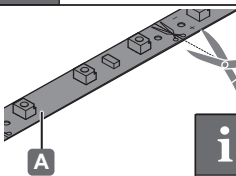


100 - 240 V~




1

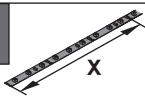




A



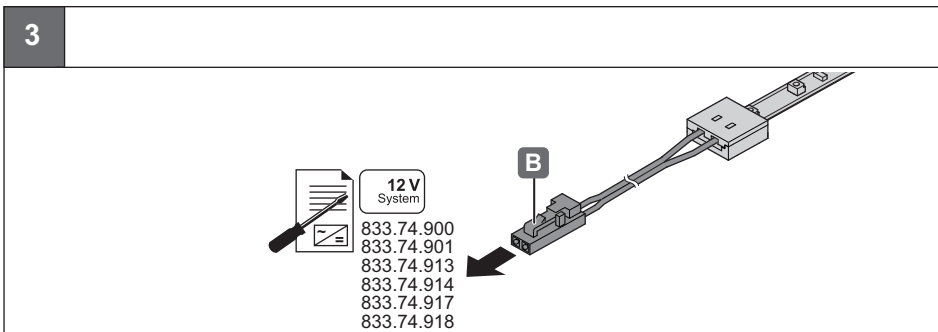
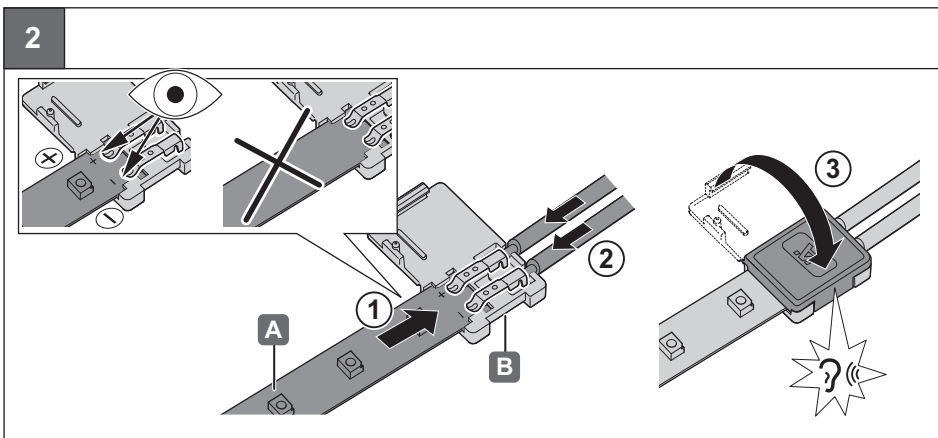
i



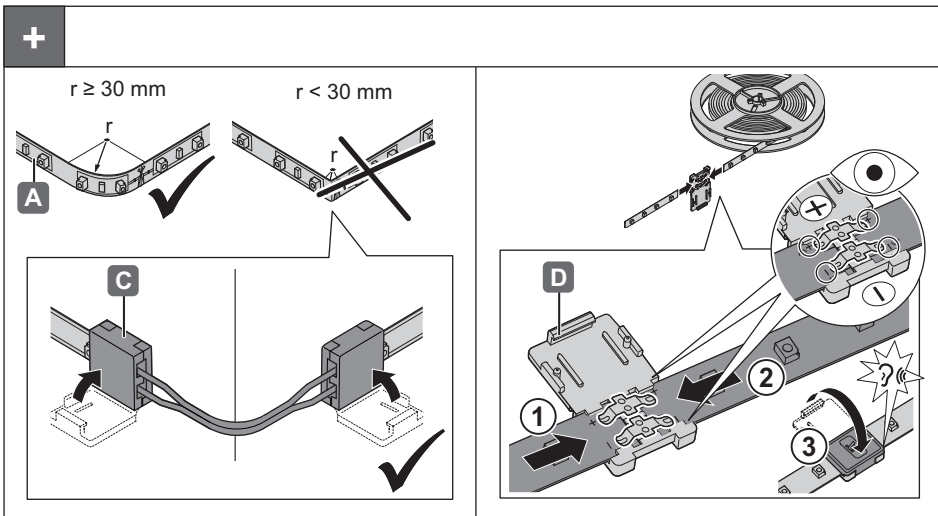
X

12 V / 15 W	X ≤ 3 m
12 V / 20 W	X ≤ 3.95 m
12 V / 30 W	X ≤ 5 m
12 V / 60 W	X ≤ 5 m

HDE 06/2014



732.26.208



HDE 06/2014