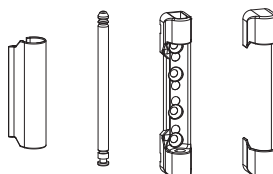
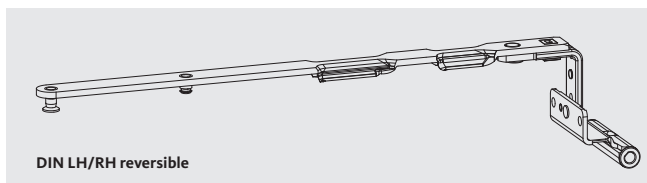
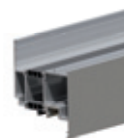
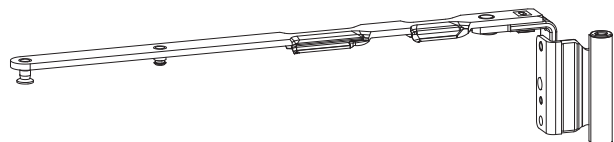


# UNI-JET D – Tilt&Turn sash/Tilt-First sash

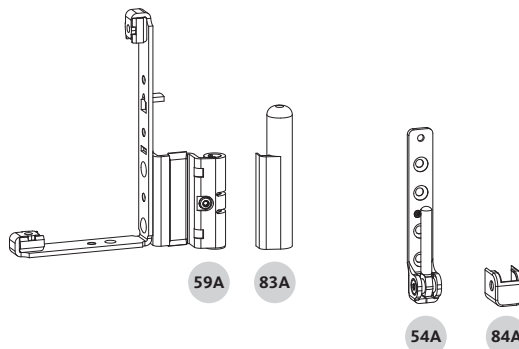
Max. sash weight 100 kg



66A 66B 80A 53 51A 81A



66A 66B



59A 83A 54A 84A

## Tested hardware load-bearing capacity

- Max. 100 kg
- Application diagram 0-45558
- Installation drawing for hinge-side 0-46741

# UNI-JET D – Tilt&Turn sash/Tilt-First sash

Max. sash weight 100 kg



## Tilt&Turn stay-arm

Item	SRW [mm]	OL [mm]	System	PU	Order number		
					DIN LH/RH reversible	DIN left	DIN right
<b>Axis 9 mm</b>							
66A	280–500	18	12/18-9	10	6-40241-18-0-1	6-40241-18-L-1	6-40241-18-R-1
		20	12/20-9	10	6-40241-20-0-1	6-40241-20-L-1	6-40241-20-R-1
	501–750	18	12/18-9	10	6-40242-18-0-1	6-40242-18-L-1	6-40242-18-R-1
		20	12/20-9	10	6-40242-20-0-1	6-40242-20-L-1	6-40242-20-R-1
	751–1200	18	12/18-9	10	6-40243-18-0-1	6-40243-18-L-1	6-40243-18-R-1
		20	12/20-9	10	6-40243-20-0-1	6-40243-20-L-1	6-40243-20-R-1
	1201–1300	18	12/18-9	10	6-40244-18-0-1	6-40244-18-L-1	6-40244-18-R-1
		20	12/20-9	10	6-40244-20-0-1	6-40244-20-L-1	6-40244-20-R-1
	1301–1450 [1]	18	12/18-9	10	6-40243-18-0-1	6-40243-18-L-1	6-40243-18-R-1
		20	12/20-9	10	6-40243-20-0-1	6-40243-20-L-1	6-40243-20-R-1
	1451–1600 [1]	18	12/18-9	10	6-40244-18-0-1	6-40244-18-L-1	6-40244-18-R-1
		20	12/20-9	10	6-40244-20-0-1	6-40244-20-L-1	6-40244-20-R-1
<b>Axis 13 mm</b>							
66A	280–500	18	12/18-13	10	6-40245-18-0-1	6-40245-18-L-1	6-40245-18-R-1
		20	12/20-13	10	6-40245-20-0-1	6-40245-20-L-1	6-40245-20-R-1
	501–750	18	12/18-13	10	6-40246-18-0-1	6-40246-18-L-1	6-40246-18-R-1
		20	12/20-13	10	6-40246-20-0-1	6-40246-20-L-1	6-40246-20-R-1
	751–1200	18	12/18-13	10	6-40247-18-0-1	6-40247-18-L-1	6-40247-18-R-1
		20	12/20-13	10	6-40247-20-0-1	6-40247-20-L-1	6-40247-20-R-1
	1201–1300	18	12/18-13	10	6-40248-18-0-1	6-40248-18-L-1	6-40248-18-R-1
		20	12/20-13	10	6-40248-20-0-1	6-40248-20-L-1	6-40248-20-R-1
	1301–1450 [1]	18	12/18-13	10	6-40247-18-0-1	6-40247-18-L-1	6-40247-18-R-1
		20	12/20-13	10	6-40247-20-0-1	6-40247-20-L-1	6-40247-20-R-1
	1451–1600 [1]	18	12/18-13	10	6-40248-18-0-1	6-40248-18-L-1	6-40248-18-R-1
		20	12/20-13	10	6-40248-20-0-1	6-40248-20-L-1	6-40248-20-R-1

### [1] Additional stay

Use additional stay with SRW 1301–1600 mm.

You can find the application ranges for using the additional stay in the installation drawings 0-46684 (basic security) or 0-44966 (RC2), or on page 203 of the catalogue.

# UNI-JET D – Tilt&Turn sash/Tilt-First sash

Max. sash weight 100 kg



### Stay-bearing

Item	Positioning pin	PU	Order number
51A	Ø 3 mm, L = 2.5 mm	100	6-36026-03-0-1
	Ø 6 mm, L = 2.5 mm	100	6-36026-06-0-1

### Cover cap for stay-hinge

Item	PU	Order number
80A	100	9-47795-01-0-1

### Stay-bearing pin

Item	PU	Order number
53	100	9-48898-00-0-1

### Cover cap for stay-bearing

Item	PU	Order number
81A	100	9-47334-01-0-1

### Rebate corner-hinge – with turn-brake

Item	AX [mm]	OL [mm]	System	PU	Order number	
					DIN left	DIN right
59A	9	18	12/18-9	100	6-37455-18-L-1	6-37455-18-R-1
		20	12/20-9	100	6-37455-20-L-1	6-37455-20-R-1
	13	18	12/18-13	100	6-37456-18-L-1	6-37456-18-R-1
		20	12/20-13	100	6-37456-20-L-1	6-37456-20-R-1

### Cover cap for rebate corner-hinge

Item	PU	Order number	
		DIN left	DIN right
83A	100	9-40487-00-L-1	9-40487-00-R-1

### Pivot-rest

Item	Positioning pin	PU	Order number
54A	Ø 3 mm, L = 2.5 mm	100	6-36881-03-0-1
	Ø 6 mm, L = 22 mm	100	6-36882-22-0-1

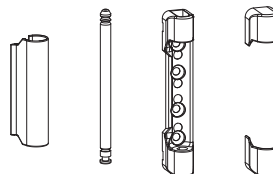
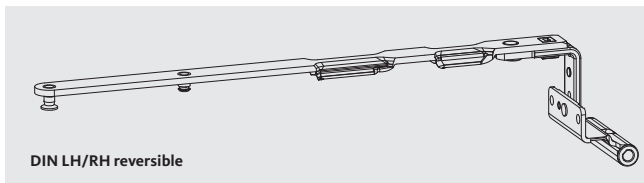
### Cover cap for pivot-rest

Item	PU	Order number
84A	100	9-42683-00-0-1

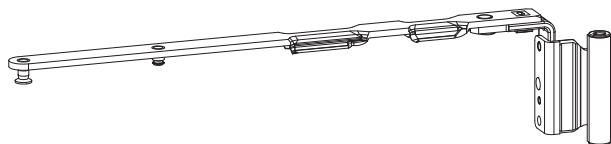
You will find further versions and finishes in Chapter 'Individual components' from page 550.

# UNI-JET D – Tilt&Turn sash/Tilt-First sash

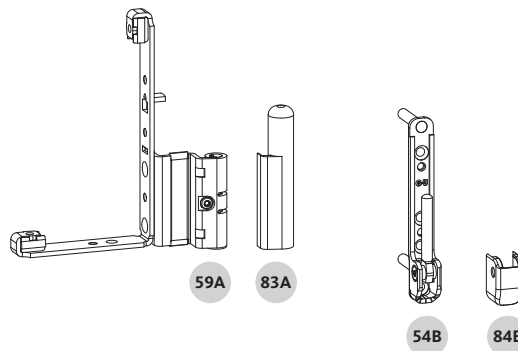
Max. sash weight 130 kg



66A 66B 80A 53 51A 81A



66A 66B



## Tested hardware load-bearing capacity

- Max. 130 kg
- Application diagram 0-46985
- Installation drawing for hinge-side 0-46741