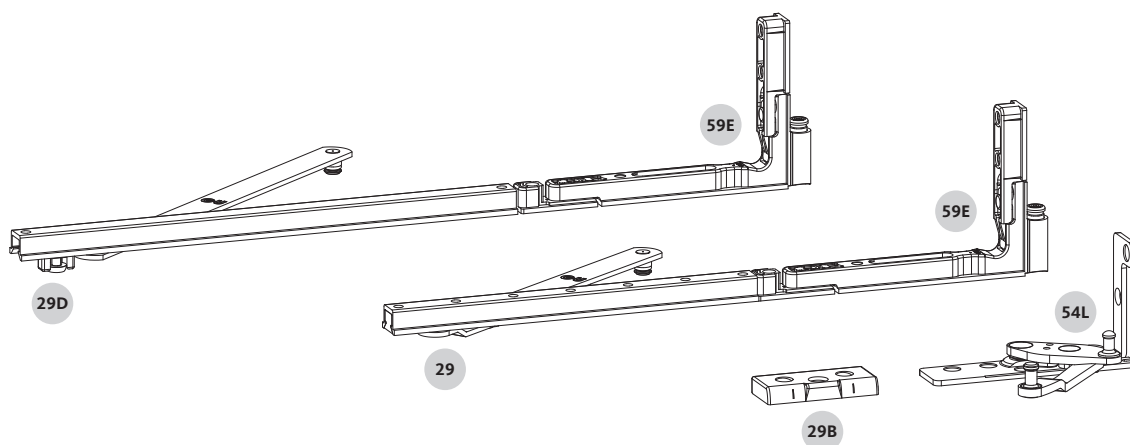
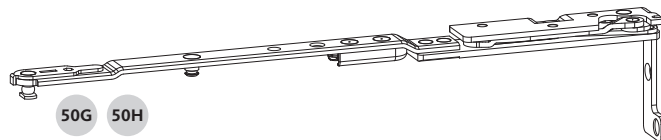


# UNI-JET SCF – Tilt&Turn sash/Tilt-First sash

Max. sash weight 130 kg – without load-absorption set



### Tested hardware load-bearing capacity

- **Max. 60 kg with SRW 300–420 mm**  
Application diagram 0-48924  
Installation drawing for central locking system 0-48955
- **Max. 130 kg with SRW 420–1400 mm**  
Application diagram 0-47358  
Installation drawing for central locking system 0-47360
- Installation drawings for hinge-side 0-47106 (24 mm rebate depth) 0-48070 (30 mm rebate depth)
- Installation drawing turn-restrictor 0-46905
- Instructions on how to hinge and unhinge the sash 0-47477

# UNI-JET SCF – Tilt&Turn sash/Tilt-First sash

Max. sash weight 130 kg – without load-absorption set



## Tilt&Turn stay-arm

Item	AX [mm]	SRW [mm]	L [mm]	PU	Order number	
					DIN left	DIN right
50G	<b>Rebate depth 24 mm</b>					
	9	300-420	250	10	6-37012-22-L-1	6-37012-22-R-1
		421-750	320	10	6-37012-31-L-1	6-37012-31-R-1
		751-1400	450	10	6-37012-46-L-1	6-37012-46-R-1
	13	300-420	250	10	6-37013-22-L-1	6-37013-22-R-1
		421-750	320	10	6-37013-31-L-1	6-37013-31-R-1
		751-1400	450	10	6-37013-46-L-1	6-37013-46-R-1
	<b>Rebate depth 30 mm</b>					
	9	300-420	250	10	6-37017-22-L-1	6-37017-22-R-1
		421-750	320	10	6-37017-31-L-1	6-37017-31-R-1
		751-1400	450	10	6-37017-46-L-1	6-37017-46-R-1
	13	300-420	250	10	6-37018-22-L-1	6-37018-22-R-1
421-750		320	10	6-37018-31-L-1	6-37018-31-R-1	
751-1400		450	10	6-37018-46-L-1	6-37018-46-R-1	

## Tilt-First stay arm

Item	AX [mm]	SRW [mm]	L [mm]	PU	Order number	
					DIN left	DIN right
50H	<b>Rebate depth 24 mm</b>					
	9	300-420	250	10	6-37014-22-L-1	6-37014-22-R-1
		421-750	320	10	6-37014-31-L-1	6-37014-31-R-1
		751-1400	450	10	6-37014-46-L-1	6-37014-46-R-1
	13	300-420	250	10	6-37015-22-L-1	6-37015-22-R-1
		421-750	320	10	6-37015-31-L-1	6-37015-31-R-1
		751-1400	450	10	6-37015-46-L-1	6-37015-46-R-1
	<b>Rebate depth 30 mm</b>					
	9	300-420	250	10	6-37019-22-L-1	6-37019-22-R-1
		421-750	320	10	6-37019-31-L-1	6-37019-31-R-1
		751-1400	450	10	6-37019-46-L-1	6-37019-46-R-1
	13	300-420	250	10	6-37020-22-L-1	6-37020-22-R-1
421-750		320	10	6-37020-31-L-1	6-37020-31-R-1	
751-1400		450	10	6-37020-46-L-1	6-37020-46-R-1	

## Pivot-rest

Item	AX [mm]	SRW [mm]	L [mm]	PU	Order number	
					DIN left	DIN right
54L	<b>Rebate depth 24 mm</b>					
	9+13	300-1400	100	50	6-35871-00-L-1	6-35871-00-R-1
	<b>Rebate depth 30 mm</b>					
	9+13	300-1400	100	50	6-36031-00-L-1	6-36031-00-R-1

## Corner hinge

Item	AX [mm]	SRW [mm]	L [mm]	PU	Order number	
					DIN left	DIN right
59E	9	300-1400	130	50	6-40503-09-L-1	6-40503-09-R-1
	13	300-1400	130	50	6-40503-13-L-1	6-40503-13-R-1

## Turn-restrictor [1]

Item	SRW [mm]	L [mm]	PU	Order number
29	550-1400	180	10	6-39007-00-0-1

## Turn-restrictor with brake [1][2]

Item	SRW [mm]	L [mm]	PU	Order number
29D	650-1400	245	10	6-39900-00-0-1

## Snap-in connection

Item	System	PU	Order number
29B	flat rebate 18 x 8 mm	10	9-45171-01-0-1
	flat rebate 20 x 8 mm		
	flat rebate 24 x 8 mm	10	9-45171-00-0-1
	flat rebate 30 x 8 mm	10	9-45171-30-0-1

[1] Installation of turn-restrictor required from SRW > 650 mm.  
Exception: For use in private homes, with sash weights < 80 kg, an installation of a turn-restrictor is required from SRW > 800.

[2] With RC1/RC1N and RC2 the turn-restrictor 6-39900 can only be used from SRW > 714 mm.

If soft woods with a poor gross density are used which are not sufficiently hard to withstand high sash weights, the following instructions must be observed when fixing the bearing components on the hinge-side:

- For fixing the pivot-rest and the stay-arm, only a special screw with a partially cylindrical shank (GU 9-43787) may be used.
- Before fixing the pivot-rest, it is necessary to screw in 1 countersunk wood screw 5 x 40 mm at the marked spot (#) flush with the frame to give the pivot-rest sufficient support in the wood.
- See installation drawings 0-47106 and 0-48070.