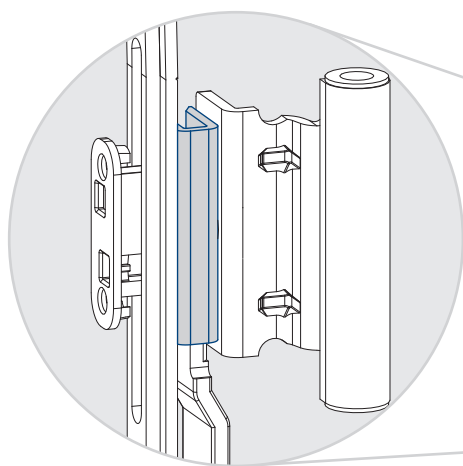
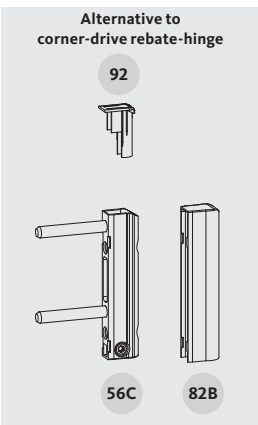
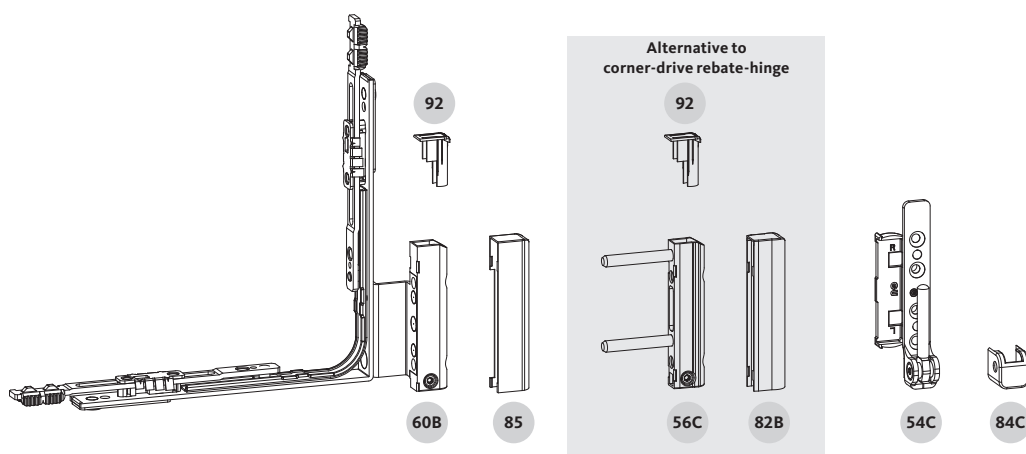
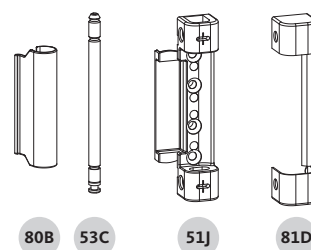
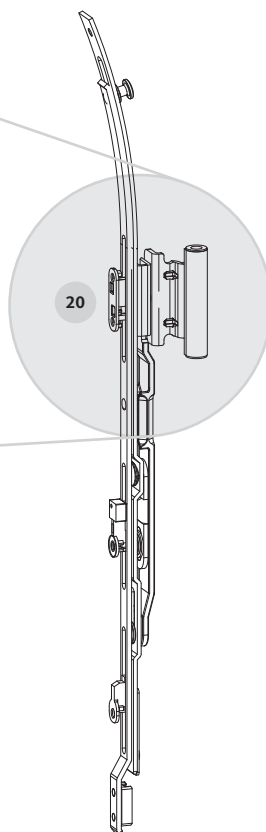


UNI-JET M6/12 – Tilt&Turn sash, round arch window

Max. sash weight 80 kg



The packing unit of the arched stay also includes the C shackle which must always be installed on the stay-guide at the height of the stay-hinge.



Tested hardware load-bearing capacity

- Max. 80 kg
- Application diagram 0-47727
- Installation drawing for hinge-side 0-47638
- Installation drawing for central locking system 0-47303

UNI-JET M6/12 – Tilt&Turn sash, round arch window



Max. sash weight 80 kg



| Arched stay | | | | | | | |
|-------------|----------|-------------|---------|----------|----|----------------|----------------|
| Item | SRW [mm] | SRH RA [mm] | OL [mm] | System | PU | Order number | |
| | | | | | | DIN left | DIN right |
| Axis 9 mm | | | | | | | |
| 20 | 455-1250 | 470-2090 | 18 | 12/18-9 | 10 | 6-39334-18-L-1 | 6-39334-18-R-1 |
| | | | 20 | 12/20-9 | 10 | 6-39334-20-L-1 | 6-39334-20-R-1 |
| Axis 13 mm | | | | | | | |
| 20 | 455-1250 | 470-2090 | 18 | 12/18-13 | 10 | 6-39335-18-0-1 | |
| | | | 20 | 12/20-13 | 10 | 6-39335-20-0-1 | |

| Cover cap for stay-hinge | | | |
|--------------------------|--|-----|----------------|
| Item | | PU | Order number |
| 80B | | 100 | 9-47796-01-0-1 |

| Stay-bearing for round arch | | | | | |
|------------------------------------|---------|---------|------------|-----|----------------|
| Positioning pin Ø 3 mm, L = 2.5 mm | | | | | |
| Item | AX [mm] | OL [mm] | System | PU | Order number |
| 51J | 9+13 | 18 | 12/18-9+13 | 100 | 6-39063-18-0-1 |
| | | 20 | 12/20-9+13 | 100 | 6-39063-20-0-1 |

| Cover cap for round arch stay-bearing | | | |
|---------------------------------------|--|-----|----------------|
| Item | | PU | Order number |
| 81D | | 100 | 9-50710-00-0-1 |

| Stay-bearing pin | | | |
|------------------|--|-----|----------------|
| Item | | PU | Order number |
| 53C | | 100 | 9-50141-00-0-1 |

| Cover cap for corner-drive rebate-hinge | | | | |
|---|--|-----|----------------|----------------|
| Item | | PU | Order number | |
| | | | DIN left | DIN right |
| 85 | | 100 | 9-47782-00-L-1 | 9-47782-00-R-1 |

| Corner-drive rebate-hinge – with turn-brake | | | | | | |
|---|---------|---------|----------|----|----------------|----------------|
| Item | AX [mm] | OL [mm] | System | PU | Order number | |
| | | | | | DIN left | DIN right |
| 60B | 9 | 18 | 12/18-9 | 10 | 6-36888-18-L-1 | 6-36888-18-R-1 |
| | | | 12/20-9 | 10 | 6-36888-20-L-1 | 6-36888-20-R-1 |
| | 13 | 18 | 12/18-13 | 10 | 6-36889-18-L-1 | 6-36889-18-R-1 |
| | | | 12/20-13 | 10 | 6-36889-20-L-1 | 6-36889-20-R-1 |

| Cover cap for drill-in hinge | | | |
|------------------------------|--|-----|----------------|
| Item | | PU | Order number |
| 82B | | 100 | 9-47783-01-0-1 |

| Drill-in hinge – without turn-brake [2] | | | |
|---|-------------------|-----|----------------|
| Item | Positioning pin | PU | Order number |
| 56C | Ø 6 mm, L = 37 mm | 100 | 6-36180-03-0-1 |

| Cover cap for pivot-rest | | | |
|--------------------------|--|-----|----------------|
| Item | | PU | Order number |
| 84C | | 100 | 9-42683-00-0-1 |

| Pivot-rest [2] | | | | | | |
|----------------|---|---------|------------|-----|----------------|----------------|
| Item | AX [mm] | OL [mm] | System | PU | Order number | |
| | | | | | DIN left | DIN right |
| 54C | 9+13 | 18 | 12/18-9+13 | 100 | 6-36876-18-L-1 | 6-36876-18-R-1 |
| | | | 12/20-9+13 | 100 | 6-36876-20-L-1 | 6-36876-20-R-1 |
| | Pivot-rest with positioning pin Ø 8 mm [1] | | | | | |
| | 9+13 | 18 | 12/18-9+13 | 100 | 6-36876-84-L-1 | 6-36876-84-R-1 |

| Adjusting cap | | | |
|---------------|--|-----|----------------|
| Item | | PU | Order number |
| 92 | | 100 | 9-47426-00-0-1 |

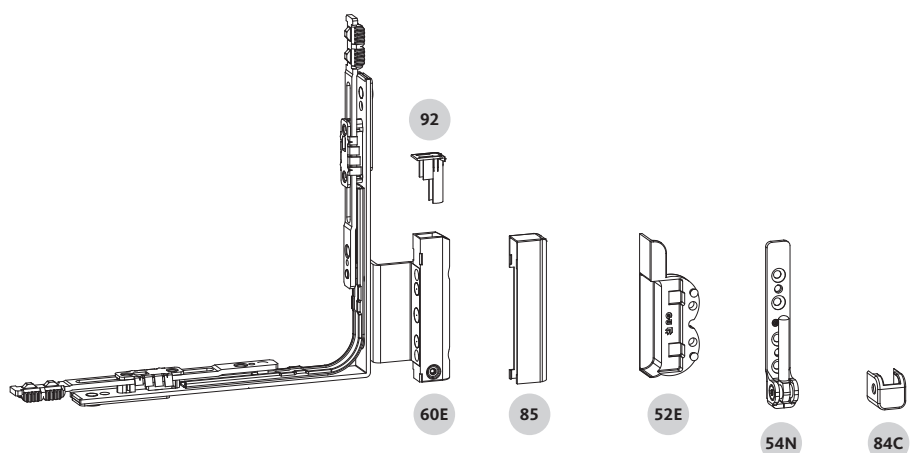
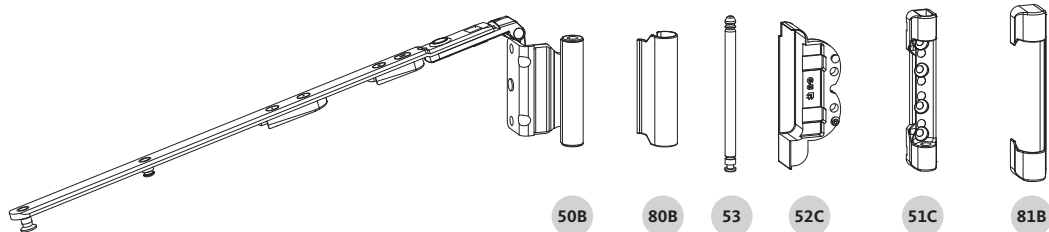
[1] The drill holes for the 2 additional size 84 pins (8 mm bore hole diameter / length 5 mm) are 21.6 mm apart on the axis of the fixing screws. See installation drawing 0-46605.

[2] When installing pivot-rest and the drill-in hinge using drilling jigs 6-38619-09-0-0 (AX9) or 6-38619-13-0-0 (AX13), it is necessary to insert a 3.5 mm packer (customer-provided) in the bottom horizontal hardware groove.

You will find further versions and finishes in Chapter 'Individual components' from page 358.

UNI-JET M6/4 – Tilt&Turn sash, pitched window

Max. sash weight 100 kg



Tested hardware load-bearing capacity

- Max. 100 kg
- Application diagrams 0-45877, 0-45878, 0-45879, 0-45880
- Installation drawing for hinge-side 0-46744

UNI-JET M6/4 – Tilt&Turn sash, pitched window

Max. sash weight 100 kg



Pitched window stay-arm

| Item | SRW [mm] | OL [mm] | System | PU | Order number |
|-------------------|-----------|---------|---------|----|----------------|
| Axis 9 mm | | | | | |
| 50B | 410-510 | 15 | 4/15-8 | 10 | 6-36865-15-0-1 |
| | | 18 | 4/18-9 | 10 | 6-36865-18-0-1 |
| | 511-760 | 15 | 4/15-8 | 10 | 6-36866-15-0-1 |
| | | 18 | 4/18-9 | 10 | 6-36866-18-0-1 |
| | 761-1210 | 15 | 4/15-8 | 10 | 6-36867-15-0-1 |
| | | 18 | 4/18-9 | 10 | 6-36867-18-0-1 |
| | 1211-1460 | 15 | 4/15-8 | 10 | 6-36868-15-0-1 |
| | | 18 | 4/18-9 | 10 | 6-36868-18-0-1 |
| Axis 13 mm | | | | | |
| 50B | 410-510 | 18 | 4/18-13 | 10 | 6-36869-18-0-1 |
| | 511-760 | 18 | 4/18-13 | 10 | 6-36870-18-0-1 |
| | 761-1210 | 18 | 4/18-13 | 10 | 6-36871-18-0-1 |
| | 1211-1460 | 18 | 4/18-13 | 10 | 6-36872-18-0-1 |

Stay-bearing for 2 x Ø34mm drill-hole part

| Item | AX [mm] | OL [mm] | System | PU | Order number |
|------|---------|---------|---------|-----|----------------|
| 51C | 9+13 | 15 | 4/15-8 | 100 | 6-36026-00-0-1 |
| | | 18 | 4/18-9 | | |
| | | 18 | 4/18-13 | | |

2 x Ø34mm drill hole part, top

| Item | AX [mm] | OL [mm] | System | PU | Order number | |
|------|---------|---------|---------|-----|----------------|----------------|
| | | | | | DIN left | DIN right |
| 52C | 9 | 15 | 4/15-8 | 100 | 9-39941-15-L-1 | 9-39941-15-R-1 |
| | | 18 | 4/18-9 | 100 | 9-39941-18-L-1 | 9-39941-18-R-1 |
| | | 13 | 4/18-13 | 100 | 9-44833-18-0-1 | |

Stay-bearing pin

| Item | PU | Order number |
|------|-----|----------------|
| 53 | 100 | 9-48898-00-0-1 |

Corner-drive rebate-hinge – with turn-brake

| Item | AX [mm] | OL [mm] | System | PU | Order number | |
|------|---------|---------|----------|----|----------------|----------------|
| | | | | | DIN left | DIN right |
| 60E | 9 | 15 | 4/15-8 | 10 | 6-36888-15-L-1 | 6-36888-15-R-1 |
| | | 18 | 4/18-9 | 10 | 6-36888-18-L-1 | 6-36888-18-R-1 |
| | | 13 | 12/18-13 | 10 | 6-36889-18-L-1 | 6-36889-18-R-1 |

Pivot-rest for 2 x Ø34mm drill-hole part

| Item | AX [mm] | OL [mm] | System | PU | Order number |
|------|---------|---------|---------|-----|----------------|
| 54N | 9+13 | 15 | 4/15-8 | 100 | 6-36875-00-0-1 |
| | | 18 | 4/18-9 | | |
| | | 18 | 4/18-13 | | |

2 x Ø34mm drill hole part, bottom

| Item | AX [mm] | OL [mm] | System | PU | Order number | |
|------|---------|---------|---------|-----|----------------|----------------|
| | | | | | DIN left | DIN right |
| 52E | 9 | 15 | 4/15-8 | 100 | 9-39942-15-L-1 | 9-39942-15-R-1 |
| | | 18 | 4/18-9 | 100 | 9-39942-18-L-1 | 9-39942-18-R-1 |
| | | 13 | 4/18-13 | 100 | 9-44832-18-0-1 | |

Cover cap for stay-hinge

| Item | PU | Order number |
|------|-----|----------------|
| 80B | 100 | 9-47796-01-0-1 |

Cover cap for stay-bearing

| Item | PU | Order number |
|------|-----|----------------|
| 81B | 100 | 9-47334-01-0-1 |

Cover cap for corner-drive rebate-hinge

| Item | PU | Order number | |
|------|-----|----------------|----------------|
| | | DIN left | DIN right |
| 85 | 100 | 9-47782-00-L-1 | 9-47782-00-R-1 |

Cover cap for pivot-rest

| Item | PU | Order number |
|------|-----|----------------|
| 84C | 100 | 9-42683-00-0-1 |

Adjusting cap

| Item | PU | Order number |
|------|-----|----------------|
| 92 | 100 | 9-47426-00-0-1 |

You will find further versions and finishes in Chapter 'Individual components' from page 412.