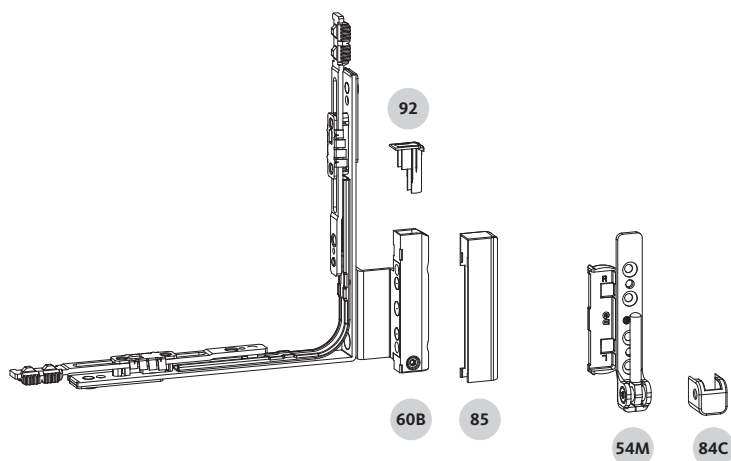
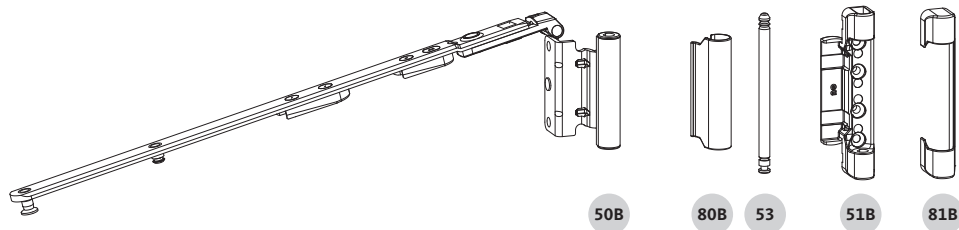


UNI-JET M6/12 – Tilt&Turn sash, pitched window

Max. sash weight 100 kg



Tested hardware load-bearing capacity

- Max. 100 kg
- Application diagrams 0-45877, 0-45878, 0-45879, 0-45880
- Installation drawing for hinge-side 0-46743

UNI-JET M6/12 – Tilt&Turn sash, pitched window

Max. sash weight 100 kg



Pitched window stay-arm

Item	SRW [mm]	OL [mm]	System	PU	Order number
Axis 9 mm					
50B	410-510	18	12/18-9	10	6-36865-18-0-1
		20	12/20-9	10	6-36865-20-0-1
	511-760	18	12/18-9	10	6-36866-18-0-1
		20	12/20-9	10	6-36866-20-0-1
	761-1210	18	12/18-9	10	6-36867-18-0-1
		20	12/20-9	10	6-36867-20-0-1
	1211-1460	18	12/18-9	10	6-36868-18-0-1
		20	12/20-9	10	6-36868-20-0-1
Axis 13 mm					
50B	410-510	18	12/18-13	10	6-36869-18-0-1
		20	12/20-13	10	6-36869-20-0-1
	511-760	18	12/18-13	10	6-36870-18-0-1
		20	12/20-13	10	6-36870-20-0-1
	761-1210	18	12/18-13	10	6-36871-18-0-1
		20	12/20-13	10	6-36871-20-0-1
	1211-1460	18	12/18-13	10	6-36872-18-0-1
		20	12/20-13	10	6-36872-20-0-1

Stay-bearing

Item	AX [mm]	OL [mm]	System	PU	Order number
51B	9+13	18	12/18-9+13	100	6-36050-18-0-1
		20	12/20-9+13	100	6-36050-20-0-1
	Stay-bearing with positioning pins Ø 8 mm [1]				
	9+13	18	12/18-9+13	100	6-36050-84-0-1

Stay-bearing pin

Item	PU	Order number
53	100	9-48898-00-0-1

Corner-drive rebate-hinge – with turn-brake

Item	AX [mm]	OL [mm]	System	PU	Order number	
					DIN left	DIN right
60B	9	18	12/18-9	10	6-36888-18-L-1	6-36888-18-R-1
		20	12/20-9	10	6-36888-20-L-1	6-36888-20-R-1
	13	18	12/18-13	10	6-36889-18-L-1	6-36889-18-R-1
		20	12/20-13	10	6-36889-20-L-1	6-36889-20-R-1

Pivot-rest

Item	AX [mm]	OL [mm]	System	PU	Order number	
					DIN left	DIN right
54M	9+13	18	12/18-9+13	100	6-36876-18-L-1	6-36876-18-R-1
		20	12/20-9+13	100	6-36876-20-L-1	6-36876-20-R-1
	Pivot-rest with positioning pin Ø 8 mm [1]					
	9+13	18	12/18-9+13	100	6-36876-84-L-1	6-36876-84-R-1

Cover cap for stay-hinge

Item	PU	Order number
80B	100	9-47796-01-0-1

Cover cap for stay-bearing

Item	PU	Order number
81B	100	9-47334-01-0-1

Cover cap for corner-drive rebate-hinge

Item	PU	Order number	
		DIN left	DIN right
85	100	9-47782-00-L-1	9-47782-00-R-1

Cover cap for pivot-rest

Item	PU	Order number
84C	100	9-42683-00-0-1

Adjusting cap

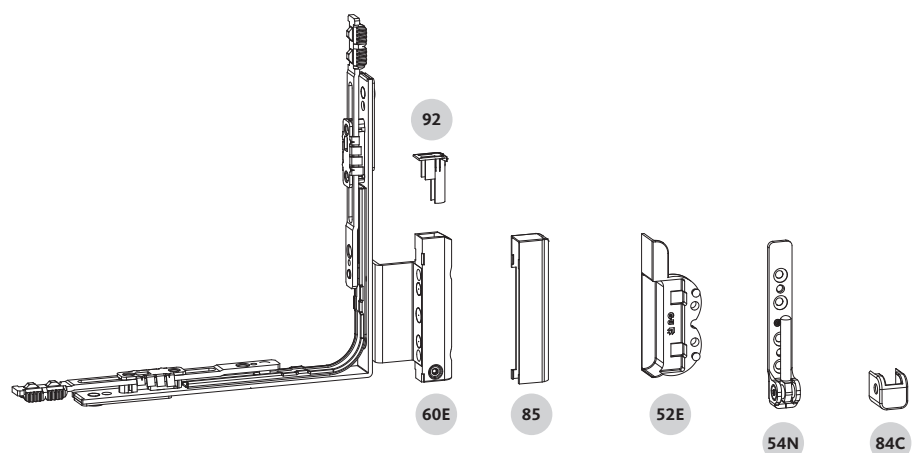
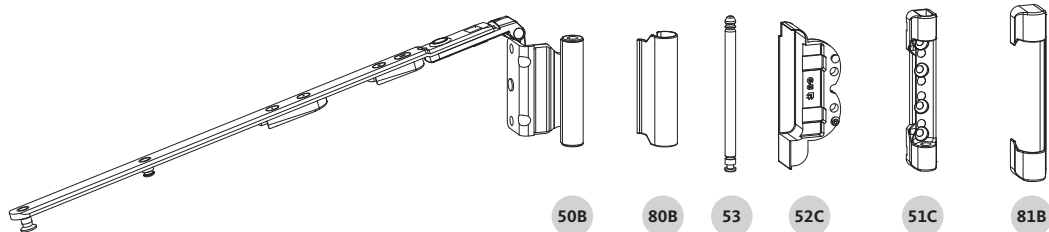
Item	PU	Order number
92	100	9-47426-00-0-1

[1] The drill holes for the 2 additional size 84 pins (8 mm bore hole diameter / length 5 mm) are 21.6 mm apart on the axis of the fixing screws. See installation drawing 0-46605.

You will find further versions and finishes in Chapter 'Individual components' from page 358.

UNI-JET M6/4 – Tilt&Turn sash, pitched window

Max. sash weight 100 kg



Tested hardware load-bearing capacity

- Max. 100 kg
- Application diagrams 0-45877, 0-45878, 0-45879, 0-45880
- Installation drawing for hinge-side 0-46744

UNI-JET M6/4 – Tilt&Turn sash, pitched window

Max. sash weight 100 kg



Pitched window stay-arm

Item	SRW [mm]	OL [mm]	System	PU	Order number
Axis 9 mm					
50B	410-510	15	4/15-8	10	6-36865-15-0-1
		18	4/18-9	10	6-36865-18-0-1
	511-760	15	4/15-8	10	6-36866-15-0-1
		18	4/18-9	10	6-36866-18-0-1
	761-1210	15	4/15-8	10	6-36867-15-0-1
		18	4/18-9	10	6-36867-18-0-1
	1211-1460	15	4/15-8	10	6-36868-15-0-1
		18	4/18-9	10	6-36868-18-0-1
Axis 13 mm					
50B	410-510	18	4/18-13	10	6-36869-18-0-1
	511-760	18	4/18-13	10	6-36870-18-0-1
	761-1210	18	4/18-13	10	6-36871-18-0-1
	1211-1460	18	4/18-13	10	6-36872-18-0-1

Stay-bearing for 2 x Ø34mm drill-hole part

Item	AX [mm]	OL [mm]	System	PU	Order number
51C	9+13	15	4/15-8	100	6-36026-00-0-1
		18	4/18-9		
		18	4/18-13		

2 x Ø34mm drill hole part, top

Item	AX [mm]	OL [mm]	System	PU	Order number	
					DIN left	DIN right
52C	9	15	4/15-8	100	9-39941-15-L-1	9-39941-15-R-1
		18	4/18-9	100	9-39941-18-L-1	9-39941-18-R-1
		13	4/18-13	100	9-44833-18-0-1	

Stay-bearing pin

Item	PU	Order number
53	100	9-48898-00-0-1

Corner-drive rebate-hinge – with turn-brake

Item	AX [mm]	OL [mm]	System	PU	Order number	
					DIN left	DIN right
60E	9	15	4/15-8	10	6-36888-15-L-1	6-36888-15-R-1
		18	4/18-9	10	6-36888-18-L-1	6-36888-18-R-1
		13	12/18-13	10	6-36889-18-L-1	6-36889-18-R-1

Pivot-rest for 2 x Ø34mm drill-hole part

Item	AX [mm]	OL [mm]	System	PU	Order number
54N	9+13	15	4/15-8	100	6-36875-00-0-1
		18	4/18-9		
		18	4/18-13		

2 x Ø34mm drill hole part, bottom

Item	AX [mm]	OL [mm]	System	PU	Order number	
					DIN left	DIN right
52E	9	15	4/15-8	100	9-39942-15-L-1	9-39942-15-R-1
		18	4/18-9	100	9-39942-18-L-1	9-39942-18-R-1
		13	4/18-13	100	9-44832-18-0-1	

Cover cap for stay-hinge

Item	PU	Order number
80B	100	9-47796-01-0-1

Cover cap for stay-bearing

Item	PU	Order number
81B	100	9-47334-01-0-1

Cover cap for corner-drive rebate-hinge

Item	PU	Order number	
		DIN left	DIN right
85	100	9-47782-00-L-1	9-47782-00-R-1

Cover cap for pivot-rest

Item	PU	Order number
84C	100	9-42683-00-0-1

Adjusting cap

Item	PU	Order number
92	100	9-47426-00-0-1

You will find further versions and finishes in Chapter 'Individual components' from page 412.