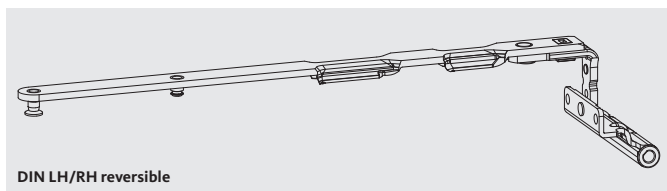
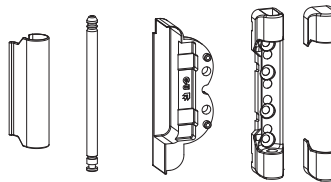


# UNI-JET M6/4 – Tilt&Turn sash/Tilt-First sash

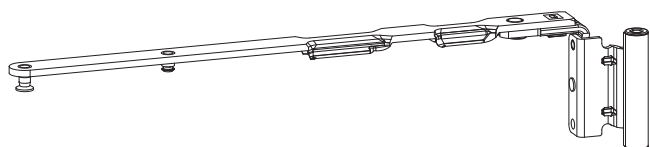
Max. sash weight 130 kg



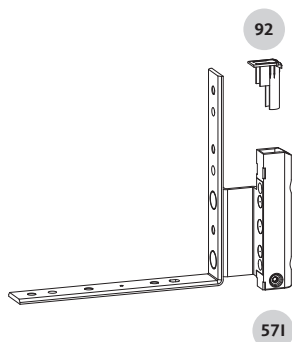
DIN LH/RH reversible



- 65D
- 65E
- 80B
- 53
- 52C
- 51C
- 81B

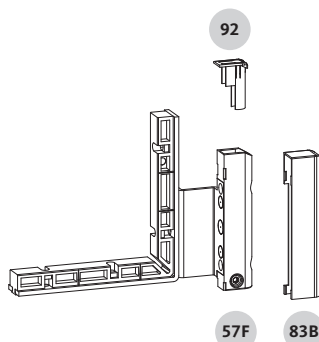


- 65D
- 65E



92

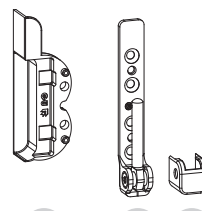
57I



92

57F

83B



52E

54D

84C

## Tested hardware load-bearing capacity

- Max. 130 kg
- Application diagram 0-48956
- Installation drawing for hinge-side 0-46733

# UNI-JET M6/4 – Tilt&Turn sash/Tilt-First sash

Max. sash weight 130 kg



## Tilt&Turn stay-arm

Item	SRW [mm]	OL [mm]	System	PU	Order number		
					DIN LH/RH reversible	DIN left	DIN right
<b>Axis 9 mm</b>							
65D	280–500	15	4/15-8	10	6-40232-15-0-1	6-40232-15-L-1	6-40232-15-R-1
		18	4/18-9	10	6-40232-18-0-1	6-40232-18-L-1	6-40232-18-R-1
	501–750	15	4/15-8	10	6-40233-15-0-1	6-40233-15-L-1	6-40233-15-R-1
		18	4/18-9	10	6-40233-18-0-1	6-40233-18-L-1	6-40233-18-R-1
	751–1200	15	4/15-8	10	6-40234-15-0-1	6-40234-15-L-1	6-40234-15-R-1
		18	4/18-9	10	6-40234-18-0-1	6-40234-18-L-1	6-40234-18-R-1
	1201–1300 [1]	15	4/15-8	10	6-40235-15-0-1	6-40235-15-L-1	6-40235-15-R-1
		18	4/18-9	10	6-40235-18-0-1	6-40235-18-L-1	6-40235-18-R-1
	1201–1300 [2]	15	4/15-8	10	6-40234-15-0-1	6-40234-15-L-1	6-40234-15-R-1
		18	4/18-9	10	6-40234-18-0-1	6-40234-18-L-1	6-40234-18-R-1
	1301–1450 [3]	15	4/15-8	10	6-40234-15-0-1	6-40234-15-L-1	6-40234-15-R-1
		18	4/18-9	10	6-40234-18-0-1	6-40234-18-L-1	6-40234-18-R-1
	1451–1600 [3]	15	4/15-8	10	6-40235-15-0-1	6-40235-15-L-1	6-40235-15-R-1
		18	4/18-9	10	6-40235-18-0-1	6-40235-18-L-1	6-40235-18-R-1
<b>Axis 13 mm</b>							
65D	280–500	18	4/18-13	10	6-40236-18-0-1	6-40236-18-L-1	6-40236-18-R-1
	501–750	18	4/18-13	10	6-40237-18-0-1	6-40237-18-L-1	6-40237-18-R-1
	751–1200	18	4/18-13	10	6-40238-18-0-1	6-40238-18-L-1	6-40238-18-R-1
	1201–1300 [1]	18	4/18-13	10	6-40239-18-0-1	6-40239-18-L-1	6-40239-18-R-1
	1201–1300 [2]	18	4/18-13	10	6-40238-18-0-1	6-40238-18-L-1	6-40238-18-R-1
	1301–1450 [3]	18	4/18-13	10	6-40238-18-0-1	6-40238-18-L-1	6-40238-18-R-1
	1451–1600 [3]	18	4/18-13	10	6-40239-18-0-1	6-40239-18-L-1	6-40239-18-R-1

### Additional stay

- [1] For sash weights ≤ 100 kg without additional stay.
- [2] For sash weights > 100 kg with additional stay.
- [3] Use additional stay with SRW 1301–1600 mm.

You can find the application ranges for using the additional stay in the installation drawings 0-46684 (basic security) or 0-44966 (RC2), or on page 203 of the catalogue.