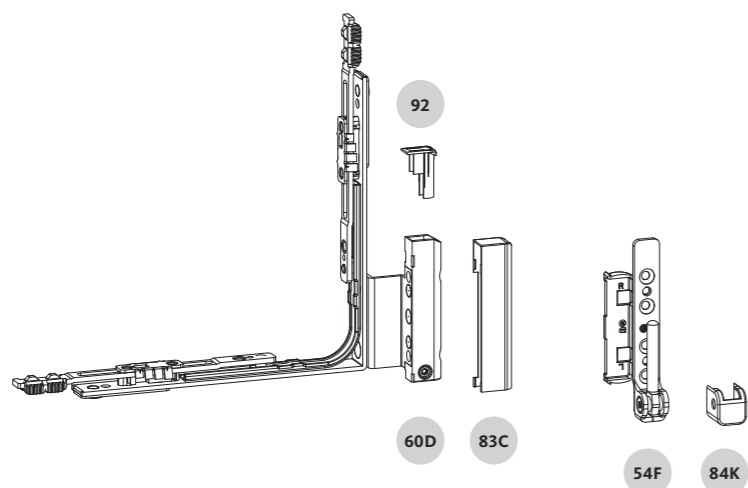
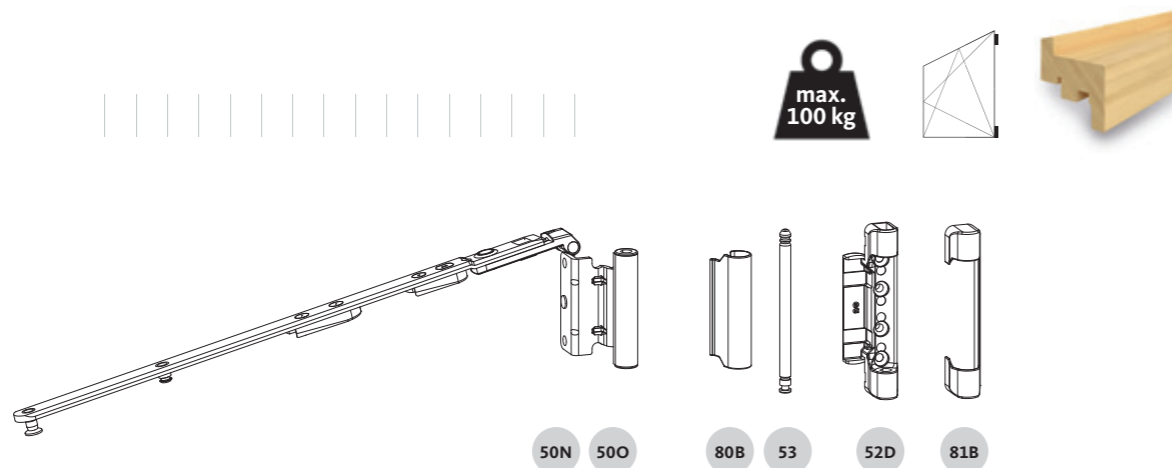


UNI-JET M6/12 – Tilt&Turn sash, pitched window

Max. sash weight 100 kg



Tested hardware load-bearing capacity

- Max. 100 kg see application diagrams 0-45877, 0-45878, 0-45879, 0-45880
- Installation drawing: 0-46743

Order example

Sash overlap
18 or 20
6-36865-□□-0-1

UNI-JET M6/12 – Tilt&Turn sash, pitched window

Max. sash weight 100 kg



Upper hinge-side

Pitched window stay-arm, AX 9 mm			
Item	SRW P	PU	Order number
50N	410-510	10	6-36865-□□-0-1
	511-760		6-36866-□□-0-1
	761-1210		6-36867-□□-0-1
	1211-1460		6-36868-□□-0-1
Pitched window stay-arm, AX 13 mm			
50O	410-510	10	6-36869-□□-0-1
	511-760		6-36870-□□-0-1
	761-1210		6-36871-□□-0-1
	1211-1460		6-36872-□□-0-1

Cover cap for stay-hinge			
Item	Colours	PU	Order number
80B	See page 290	100	9-47796-01-0-□

Stay-bearing pin			
Item		PU	Order number
53		100	9-48898-00-0-1

Stay-bearing M6			
Item	System	PU	Order number
52D	12/18-9+13	100	6-36050-□□-0-1
	12/20-9+13		6-36050-84-0-1 ^[1]
	12/18-9+13		

Cover cap for stay-bearing			
Item	Colours	PU	Order number
81B	See page 291	100	9-47334-01-0-□

Lower hinge-side

Corner-drive rebate-hinge M6			
Item	System	PU	Order number
60D	12/18-9	10	6-36888-□□-L/R-1
	12/20-9		
	12/18-13		6-36889-□□-L/R-1
	12/20-13		

Plug			
Item	Colours	PU	Order number
92	See page 294	100	9-47426-00-0-□

Cover cap for rebate corner-hinge			
Item	Colours	PU	Order number
83C	See page 293	100	9-47782-00-L/R-□

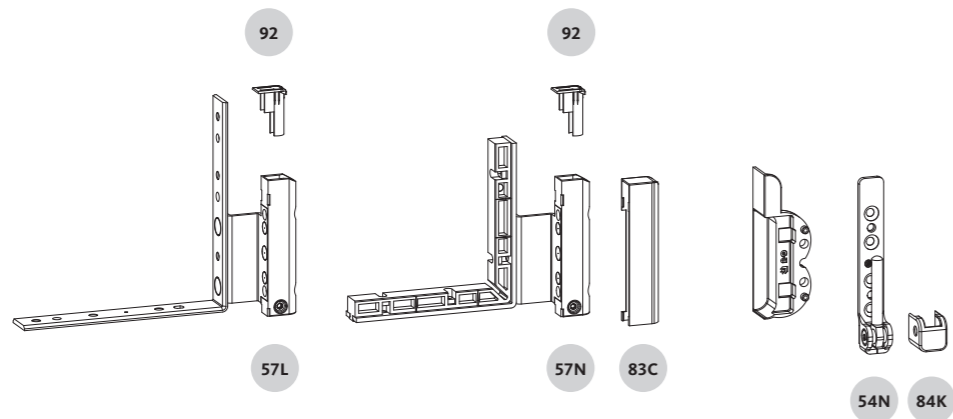
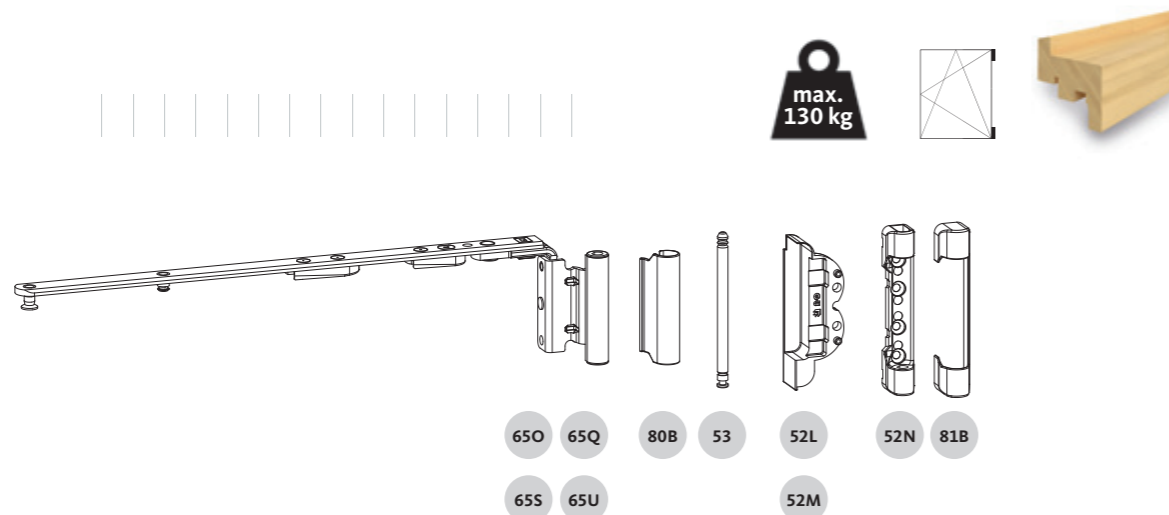
Pivot-rest M6/100			
Item	System	PU	Order number
54F	12/18-9+13	100	6-36876-□□-L/R-1
	12/20-9+13		
	12/18-9+13		6-36876-84-L/R-1 ^[1]

Cover cap for pivot-rest			
Item	Colours	PU	Order number
84K	See page 292	100	9-42683-00-0-□

[1] The drill holes for the 2 additional size 84 pins (8 mm bore hole diameter / length 5 mm) are 21.6 mm apart on the axis of the fixing screws. See installation drawing 0-46605.

UNI-JET M6/4 – Tilt&Turn / Tilt-First sash

Max. sash weight 130 kg



Tested hardware load-bearing capacity

- Max. 130 kg see application diagram 0-45559
- Installation drawing: 0-46733

Order example

Sash overlap
15 or 18
6-39153-□□-L/R-1

UNI-JET M6/4 – Tilt&Turn / Tilt-First sash

Max. sash weight 130 kg



Upper hinge-side

Tilt&Turn stay-arm, AX 9 mm				
Item	SRW	Length	PU	Order number
65O	280-500	230	10	6-39153-□□-L/R-1
	501-750	314		6-39154-□□-L/R-1
	751-1200	455		6-39155-□□-L/R-1
	1201-1600	615		6-39156-□□-L/R-1

Tilt&Turn stay-arm, AX 13 mm				
Item	SRW	Length	PU	Order number
65Q	280-500	230	10	6-39157-□□-L/R-1
	501-750	314		6-39158-□□-L/R-1
	751-1200	455		6-39159-□□-L/R-1
	1201-1600	615		6-39160-□□-L/R-1

Tilt-First stay-arm, AX 9 mm				
Item	SRW	Length	PU	Order number
65S	280-500	230	10	6-39169-□□-L/R-1
	501-750	314		6-39170-□□-L/R-1
	751-1200	455		6-39171-□□-L/R-1
	1201-1600	615		6-39172-□□-L/R-1

Tilt-First stay-arm, AX 13 mm				
Item	SRW	Length	PU	Order number
65U	280-500	230	10	6-39173-□□-L/R-1
	501-750	314		6-39174-□□-L/R-1
	751-1200	455		6-39175-□□-L/R-1
	1201-1600	615		6-39176-□□-L/R-1

Cover cap for stay-hinge			
Item	Colours	PU	Order number
80B	See page 356	100	9-47796-01-0-□

Stay-bearing pin			
Item		PU	Order number
53		100	9-48898-00-0-1

Top 2 x Ø 34 mm drill-hole part M6/4			
Item	System	PU	Order number
52L	4/15-8	100	9-39941-15-L/R-1
	4/18-9		9-39941-18-L/R-1
	4/18-13		9-44833-18-L/R-1

Top 2 x Ø 34 mm drill-hole part M6/4i			
Item	System	PU	Order number
52M	4/15-8	100	9-39383-15-L/R-1
	4/18-9		9-39383-18-L/R-1

Stay-bearing for 2 x Ø 34 mm drill-hole part M6/4, M6/4i			
Item	System	PU	Order number
52N	4/15-8	100	6-36026-00-0-1
	4/18-9		
	4/18-13		

Cover cap for stay-bearing			
Item	Colours	PU	Order number
81B	See page 357	100	9-47334-01-0-□

Lower hinge-side

Rebate corner-hinge – without hardware groove, without turn-brake			
Item	System	PU	Order number
57L	4/15-8	50	6-36851-15-L/R-1
	4/18-9+13		6-36851-18-L/R-1

Rebate corner-hinge – with hardware groove, without turn-brake			
Item	System	PU	Order number
57N	4/15-8	50	6-36118-15-L/R-1
	4/18-9		6-36118-18-L/R-1
	4/18-13		6-36120-18-L/R-1

Plug			
Item	Colours	PU	Order number
92	See page 360	100	9-47426-00-0-□

Cover cap for rebate corner-hinge			
Item	Colours	PU	Order number
83C	See page 359	100	9-47782-00-L/R-□

Bottom 2 x Ø 34 mm drill-hole M6/4			
Item	System	PU	Order number
54P	4/15-8	100	9-39942-15-L/R-1
	4/18-9		9-39942-18-L/R-1
	4/18-13		9-44832-18-L/R-1

Bottom 2 x Ø 34 mm drill-hole part M6/4i			
Item	System	PU	Order number
54Q	4/15-8	100	9-39384-15-L/R-1
	4/18-9		9-39384-18-L/R-1

Pivot-rest M6/130			
Item	System	PU	Order number
54N	4/15-8	100	6-36875-01-0-1
	4/18-9		
	4/18-13		

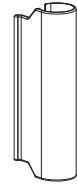
Cover cap for pivot-rest			
Item	Colours	PU	Order number
84K	See page 358	100	9-42683-00-0-□

General information

- For Tilt&Turn: with T&T additional stay (8-00734-00-0-1).
Sash weight < 100 kg: SRW 1301-1600, Sash weight > 100 kg: SRW 1201-1600
- For Tilt-First: with TF additional stay (G-45995-00-0-1).
Sash weight < 100 kg: SRW 1301-1600, Sash weight > 100 kg: SRW 1201-1600

UNI-JET M6/4 – hinge-side accessories

Cover caps



Cover cap for stay-hinge

Colours	GU internal ref.	Info	Order number
Silver colour	1N (painted)	EV1	9-47796-01-0-1
Champagne	2N (painted)	EV2	9-47796-01-0-2
Vaporised brass	3R (vaporised)	Vap. brass	9-47796-01-0-3
Brass colour	3N (painted)	Brass col.	9-47796-01-0-3N
Medium bronze	4N (painted)	UC 3	9-47796-01-0-4
Dark brown	5X (coloured)	UC5	9-47796-01-0-5
Clay brown	54 (painted)	RAL 8003	9-47796-01-0-54
Black	6N (painted)	RAL 9005	9-47796-01-0-6
Cream white	7R (painted)	RAL 9001	9-47796-01-0-7R
Traffic white	7X (coloured)	RAL 9016	9-47796-01-0-7
Stainless-steel effect	8X (painted)	Stainless-steel effect	9-47796-01-0-8
Light ivory	AN (painted)	RAL 1015	9-47796-01-0-AN
Light brown	AM (painted)	F4 light brown	9-47796-01-0-AM
Titanium colour	CL (painted)	Titanium colour	9-47796-01-0-C
Anthracite grey	DP (painted)	RAL 7016	9-47796-01-0-DP

- Packaging: 100 pcs cover caps in cardboard box
- More colours are available on request

UNI-JET M6/4 – hinge-side accessories

Cover caps



Cover cap for stay-bearing

Colours	GU internal ref.	Info	Order number
Silver colour	1N (painted)	EV1	9-47334-01-0-1
Champagne	2N (painted)	EV2	9-47334-01-0-2
Vaporised brass	3R (vaporised)	Vap. brass	9-47334-01-0-3
Brass colour	3N (painted)	Brass col.	9-47334-01-0-3N
Medium bronze	4N (painted)	UC 3	9-47334-01-0-4
Dark brown	5X (coloured)	UC5	9-47334-01-0-5
Clay brown	54 (painted)	RAL 8003	9-47334-01-0-54
Black	6N (painted)	RAL 9005	9-47334-01-0-6
Cream white	7R (painted)	RAL 9001	9-47334-01-0-7R
Traffic white	7X (coloured)	RAL 9016	9-47334-01-0-7
Stainless-steel effect	8X (painted)	Stainless-steel effect	9-47334-01-0-8
Light ivory	AN (painted)	RAL 1015	9-47334-01-0-AN
Light brown	AM (painted)	F4 light brown	9-47334-01-0-AM
Titanium colour	CL (painted)	Titanium colour	9-47334-01-0-C
Anthracite grey	DP (painted)	RAL 7016	9-47334-01-0-DP



Cover cap for round-arch stay-bearing

Colours	GU internal ref.	Info	Order number
Silver colour	1N (painted)	EV1	9-50710-00-0-1
Champagne	2N (painted)	EV2	9-50710-00-0-2
Vaporised brass	3R (vaporised)	Vap. brass	9-50710-00-0-3
Brass colour	3N (painted)	Brass col.	9-50710-00-0-3N
Medium bronze	4N (painted)	UC 3	9-50710-00-0-4
Dark brown	5X (coloured)	UC5	9-50710-00-0-5
Clay brown	54 (painted)	RAL 8003	9-50710-00-0-54
Black	6N (painted)	RAL 9005	9-50710-00-0-6
Cream white	7R (painted)	RAL 9001	9-50710-00-0-7R
Traffic white	7X (coloured)	RAL 9016	9-50710-00-0-7
Stainless-steel effect	8X (painted)	Stainless-steel effect	9-50710-00-0-8
Light ivory	AN (painted)	RAL 1015	9-50710-00-0-AN
Light brown	AM (painted)	F4 light brown	9-50710-00-0-AM
Titanium colour	CL (painted)	Titanium colour	9-50710-00-0-C
Anthracite grey	DP (painted)	RAL 7016	9-50710-00-0-DP

- Packaging: 100 pcs cover caps in cardboard box
- More colours are available on request