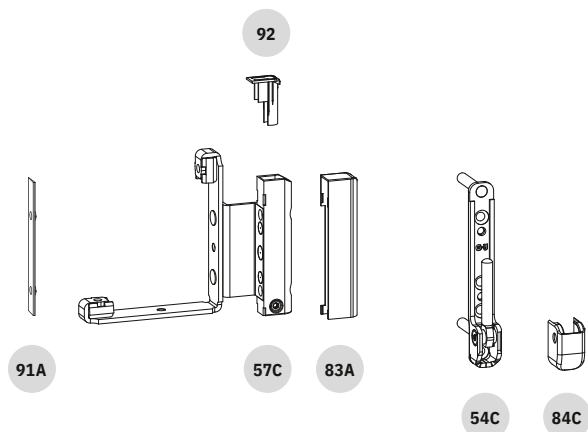
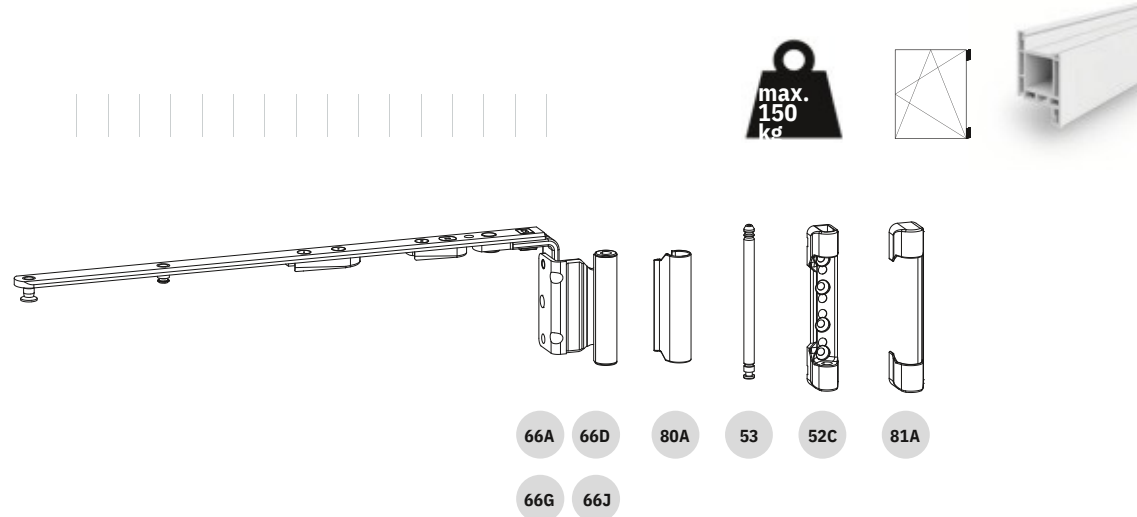


# UNI-JET D – Tilt&Turn / Tilt-First sash

Max. sash weight 150 kg



### Tested hardware load-bearing capacity

Max. 150 kg see application diagram 0-46735  
Installation drawing 0-46738

### Order example

Sash overlap  
18, 20 or 22  
6-36138- | -L/R-1

# UNI-JET D – Tilt&Turn / Tilt-First sash

Max. sash weight 150 kg



## Upper hinge-side

### Tilt&Turn stay-arm, AX 9 mm

Item	SRW	PU	Order number
66A	280-500	10	6- -L/R-
	501-750		39113- 1 -
	751-1200		6- L/R-1
	1201-1600		39114- -L/R-

### Tilt&Turn stay-arm, AX 13 mm

66D	280-500	10	6- 1 -
	501-750		39115- L/R-1
	751-1200		39117- 1 -
	1201-1600		39116- L/R-1

### Tilt-First stay-arm, AX 9 mm

Item	SRW	PU	Order number
66G	280-500	10	6- 1 -
	501-750		39120- -L/R-
	751-1200		39137- 1 -
	1201-1600		6- L/R-1

### Tilt-First stay-arm, AX 13 mm

66J	280-500	10	6- 1 -
	501-750		39139- L/R-1
	751-1200		39141- 1 -
	1201-1600		39140- L/R-1

### Cover cap for stay-hinge

Item	Colours	PU	Order number
80A	See page 223	100	9-47795-01-0-

### Stay-bearing pin

Item	PU	Order number
53	100	9-48898-00-0-1

### Stay-bearing D/150

Item	PU	Order number
52C	100	6-36026-10-0-1

### Cover cap for stay-bearing

Item	Colours	PU	Order number
81A	See page 224	100	9-47334-01-0-

## Lower hinge-side

### Packer for rebate corner-hinge

Item	Slope of profile overlap	PU	Order number
91A	6°	100	9-48658-06-L/R-7

### Plug

Item	Colours	PU	Order number
92	See page 227	100	9-47426-00-0-

### Rebate corner-hinge D/150 – without turn-brake

Item	PU	Order number
57C	100	6- -L/R-
		36138- 1 -

### Cover cap for rebate corner-hinge

Item	Colours	PU	Order number
83A	See page 228	100	9-47782-00-L/R-

### Pivot-rest D/150

Item	PU	Order number
54C	100	6-32282-30-0-1

### Cover cap for pivot-rest

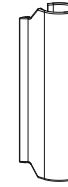
Item	Colours	PU	Order number
84C	See page 225	100	9-37770-00-0-

## UNI-JET D – hinge-side accessories

Packers

## UNI-JET D – hinge-side accessories

Cover caps



Cover cap for stay-hinge			
Colours	GU internal ref.	Info	Order number
Silver colour	1N (painted)	EV1	9-47795-01-0-1
Champagne	2N (painted)	EV2	9-47795-01-0-2
Vaporised brass	3R (vaporised)	Vap. brass	9-47795-01-0-3
Brass colour	3N (painted)	Brass col.	9-47795-01-0-3N
Medium bronze	4N (painted)	UC 3	9-47795-01-0-4
Dark brown	5X (coloured)	UC5	9-47795-01-0-5
Clay brown	54 (painted)	RAL 8003	9-47795-01-0-54
Black	6N (painted)	RAL 9005	9-47795-01-0-6
Cream white	7R (painted)	RAL 9001	9-47795-01-0-7R
Traffic white	7X (coloured)	RAL 9016	9-47795-01-0-7
Stainless-steel effect	8X (painted)	Stainless-steel effect	9-47795-01-0-8
Light ivory	AN (painted)	RAL 1015	9-47795-01-0-AN
Light brown	AM (painted)	F4 light brown	9-47795-01-0-AM
Titanium colour	CL (painted)	Titanium colour	9-47795-01-0-C
Anthracite grey	DP (painted)	RAL 7016	9-47795-01-0-DP

Packaging: 100 pcs cover caps in cardboard box  
More colours are available on request