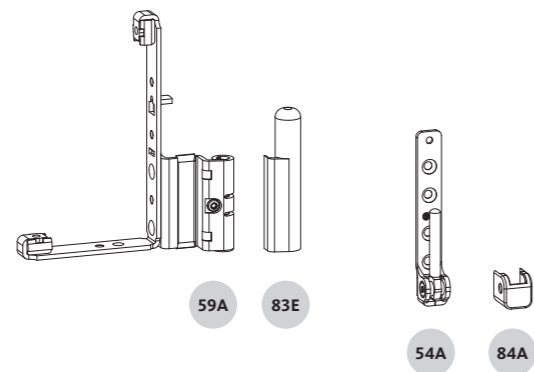
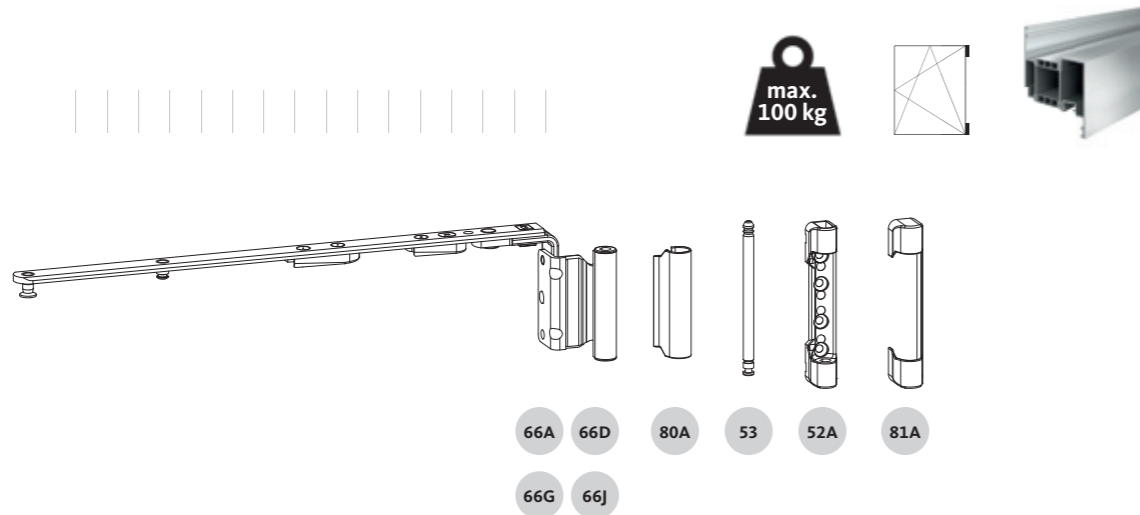


UNI-JET D – Tilt&Turn / Tilt-First sash

Max. sash weight 100 kg



Tested hardware load-bearing capacity

- Max. 100 kg see application diagram 0-45558
- Installation drawing 0-46741

Order example

Sash overlap
18, 20 or 22
6-39113-□□-L/R-1

UNI-JET D – Tilt&Turn / Tilt-First sash

Max. sash weight 100 kg



Upper hinge-side

Tilt&Turn stay-arm, AX 9 mm			
Item	SRW	PU	Order number
66A	280-500	10	6-39113-□□-L/R-1
	501-750		6-39114-□□-L/R-1
	751-1200		6-39115-□□-L/R-1
	1201-1600		6-39116-□□-L/R-1
Tilt&Turn stay-arm, AX 13 mm			
66D	280-500	10	6-39117-□□-L/R-1
	501-750		6-39118-□□-L/R-1
	751-1200		6-39119-□□-L/R-1
	1201-1600		6-39120-□□-L/R-1
Tilt-First stay-arm, AX 9 mm			
Item	SRW	PU	Order number
66G	280-500	10	6-39137-□□-L/R-1
	501-750		6-39138-□□-L/R-1
	751-1200		6-39139-□□-L/R-1
	1201-1600		6-39140-□□-L/R-1
Tilt-First stay-arm, AX 13 mm			
66J	280-500	10	6-39141-□□-L/R-1
	501-750		6-39142-□□-L/R-1
	751-1200		6-39143-□□-L/R-1
	1201-1600		6-39144-□□-L/R-1

Cover cap for stay-hinge			
Item	Colours	PU	Order number
80A	See page 466	100	9-47795-01-0-□

Stay-bearing pin			
Item		PU	Order number
53		100	9-48898-00-0-1

Stay-bearing D/100			
Item		PU	Order number
52A	Positioning pin Ø 3, L = 2.5 mm	100	6-36026-03-0-1
	Positioning pin Ø 6, L = 2.5 mm		6-36026-06-0-1

Cover cap for stay-bearing			
Item	Colours	PU	Order number
81A	See page 467	100	9-47334-01-0-□

Lower hinge-side

Rebate corner-hinge – with turn-brake			
Item		PU	Order number
59A	Axis 9	50	6-37455-□□-L/R-1
	Axis 13		6-37456-□□-L/R-1

Cover cap for rebate corner-hinge			
Item	Colours	PU	Order number
83E	See page 468	100	9-40487-00-L/R-□

Pivot-rest D/100			
Item		PU	Order number
54A	Positioning pin Ø 3, L = 2.5 mm	100	6-36881-03-0-1
	Positioning pin Ø 6, L = 22 mm		6-36882-22-0-1

Cover cap for pivot-rest			
Item	Colours	PU	Order number
84A	See page 468	100	9-42683-00-0-□

General Information

- For Tilt&Turn: with T&T additional stay (8-00734-00-0-1).
Sash weight < 100 kg: SRW 1301-1600, Sash weight > 100 kg: SRW 1201-1600
- For Tilt-First: with TF additional stay (G-45995-00-0-1).
Sash weight < 100 kg: SRW 1301-1600, Sash weight > 100 kg: SRW 1201-1600

UNI-JET D – hinge-side accessories

Cover caps



Cover cap for pivot-rest D/100

Colours	GU internal ref.	Info	Order number
Silver colour	1N (painted)	EV1	9-42683-00-0-1
Champagne	2N (painted)	EV2	9-42683-00-0-2
Vaporised brass	3R (vaporised)	Vap. brass	9-42683-00-0-3
Brass colour	3N (painted)	Brass col.	9-42683-00-0-3N
Medium bronze	4N (painted)	UC 3	9-42683-00-0-4
Dark brown	5X (coloured)	UC5	9-42683-00-0-5
Clay brown	54 (painted)	RAL 8003	9-42683-00-0-54
Black	6N (painted)	RAL 9005	9-42683-00-0-6
Cream white	7R (painted)	RAL 9001	9-42683-00-0-7R
Traffic white	7X (coloured)	RAL 9016	9-42683-00-0-7
Stainless-steel effect	8X (painted)	Stainless-steel effect	9-42683-00-0-8
Light ivory	AN (painted)	RAL 1015	9-42683-00-0-AN
Light brown	AM (painted)	F4 light brown	9-42683-00-0-AM
Titanium colour	CL (painted)	Titanium colour	9-42683-00-0-C
Anthracite grey	DP (painted)	RAL 7016	9-42683-00-0-DP

Table of contents



5.2 Concealed hinge-side for aluminium windows

UNI-JET CC

Tilt&Turn / Tilt-First sash – up to max. 130 kg sash weight

Turn-Only sash – up to max. 130 kg sash weight

Tilt-Only sash – up to max. 80 kg sash weight

470

472

474



Cover cap for rebate corner-hinge/corner-drive rebate-hinge without overlap screw-fixing, with turn-brake

Colours	GU internal ref.	Info	Order number
Silver colour	1N (painted)	EV1	9-40487-00-L/R-1
Champagne	2N (painted)	EV2	9-40487-00-L/R-2
Vaporised brass	3R (vaporised)	Vap. brass	9-40487-00-L/R-3
Brass colour	3N (painted)	Brass col.	9-40487-00-L/R-3N
Medium bronze	4N (painted)	UC 3	9-40487-00-L/R-4
Dark brown	5X (coloured)	UC5	9-40487-00-L/R-5
Clay brown	54 (painted)	RAL 8003	9-40487-00-L/R-54
Black	6N (painted)	RAL 9005	9-40487-00-L/R-6
Cream white	7R (painted)	RAL 9001	9-40487-00-L/R-7R
Traffic white	7X (coloured)	RAL 9016	9-40487-00-L/R-7
Stainless-steel effect	8X (painted)	Stainless-steel effect	9-40487-00-L/R-8
Light ivory	AN (painted)	RAL 1015	9-40487-00-L/R-AN
Light brown	AM (painted)	F4 light brown	9-40487-00-L/R-AM
Titanium colour	CL (painted)	Titanium colour	9-40487-00-L/R-C
Anthracite grey	DP (painted)	RAL 7016	9-40487-00-L/R-DP

■ This cover is equipped with a long nose piece covering the visible area between the overlap and rebate corner-hinge.

■ Compatible with
 – rebate corner-hinge
 6-37455-□□, 6-37456-□□ and
 – corner-drive rebate-hinge
 6-39000-□□, 6-39001-□□

■ Packaging: 100 pcs cover caps in cardboard box

■ More colours are available on request