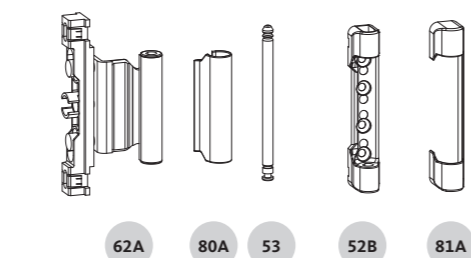
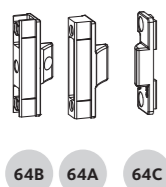
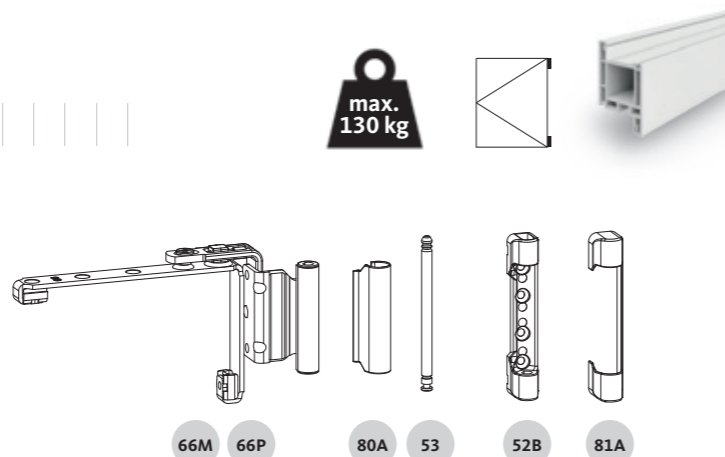
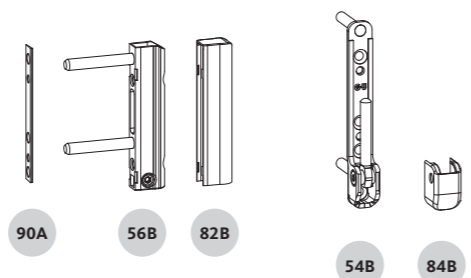


UNI-JET D – Turn-Only sash

Max. sash weight 130 kg



92



Tested hardware load-bearing capacity

- Max. 130 kg see application diagram 0-46985
- Installation drawing 0-46738

Order example

Sash overlap
18, 20 or 22
6-39147-□□-0-1

UNI-JET D – Turn-Only sash

Max. sash weight 130 kg



Upper hinge-side

Turn-Only hinge, AX 9 mm			
Item		PU	Order number
66M		50	6-39147-□□-0-1
Turn-Only hinge, AX 13 mm			
66P		50	6-39148-□□-0-1
Cover cap for stay-hinge			
Item	Colours	PU	Order number
80A	See page 223	100	9-47795-01-0-□
Stay-bearing pin			
Item		PU	Order number
53		100	9-48898-00-0-1
Stay-bearing D/130			
Item		PU	Order number
52B	Positioning pin Ø 6, L = 10 mm	100	6-36026-10-0-1
Cover cap for stay-bearing			
Item	Colours	PU	Order number
81A	See page 224	100	9-47334-01-0-□

Lower hinge-side

Packer for drill-in hinge			
Item	Slope of profile overlap	PU	Order number
90A	6°	100	9-48684-06-L/R-□
Plug			
Item	Colours	PU	Order number
92	See page 227	100	9-47426-00-0-□
Drill-in hinge D/130 – without turn-brake			
Item		PU	Order number
56B	Positioning pin Ø 6, L = 37 mm	100	6-36180-03-0-1
Cover cap for drill-in hinge			
Item	Colours	PU	Order number
82B	See page 226	100	9-47783-01-0-□
Pivot-rest D/130			
Item		PU	Order number
54B	Positioning pin Ø 6, L = 30 mm	100	6-32282-30-0-1
Cover cap for pivot-rest			
Item	Colours	PU	Order number
84B	See page 225	100	9-37770-00-0-□

Centre hinge-side

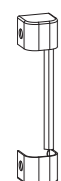
Centre-closer, concealed (adjustable)			
Item		PU	Order number
64B	Sash part	100	6-34229-00-0-1
Centre-closer, concealed (not adjustable)			
Item		PU	Order number
64A	Sash part	100	9-40564-00-0-1
Centre-closer, concealed			
Item		PU	Order number
64C	Frame part	100	profile-specific
Turn-Only centre rebate-hinge (with compensation)			
Item		PU	Order number
62A	Axis 9	100	6-36841-□□-0-1
	Axis 13		6-36842-□□-0-1
Cover cap for stay-hinge			
Item	Colours	PU	Order number
80A	See page 223	100	9-47795-01-0-□
Stay-bearing pin			
Item		PU	Order number
53		100	9-48898-00-0-1
Stay-bearing D/130			
Item		PU	Order number
52B	Positioning pin Ø 6, L = 10 mm	100	6-36026-10-0-1
Cover cap for stay-bearing			
Item	Colours	PU	Order number
81A	See page 224	100	9-47334-01-0-□

UNI-JET D – hinge-side accessories

Cover caps



Cover cap for stay-bearing			
Colours	GU internal ref.	Info	Order number
Silver colour	1N (painted)	EV1	9-47334-01-0-1
Champagne	2N (painted)	EV2	9-47334-01-0-2
Vaporised brass	3R (vaporised)	Vap. brass	9-47334-01-0-3
Brass colour	3N (painted)	Brass col.	9-47334-01-0-3N
Medium bronze	4N (painted)	UC 3	9-47334-01-0-4
Dark brown	5X (coloured)	UC5	9-47334-01-0-5
Clay brown	54 (painted)	RAL 8003	9-47334-01-0-54
Black	6N (painted)	RAL 9005	9-47334-01-0-6
Cream white	7R (painted)	RAL 9001	9-47334-01-0-7R
Traffic white	7X (coloured)	RAL 9016	9-47334-01-0-7
Stainless-steel effect	8X (painted)	Stainless-steel effect	9-47334-01-0-8
Light ivory	AN (painted)	RAL 1015	9-47334-01-0-AN
Light brown	AM (painted)	F4 light brown	9-47334-01-0-AM
Titanium colour	CL (painted)	Titanium colour	9-47334-01-0-C
Anthracite grey	DP (painted)	RAL 7016	9-47334-01-0-DP



Cover cap for round-arch stay-bearing			
Colours	GU internal ref.	Info	Order number
Silver colour	1N (painted)	EV1	9-50710-00-0-1
Champagne	2N (painted)	EV2	9-50710-00-0-2
Vaporised brass	3R (vaporised)	Vap. brass	9-50710-00-0-3
Brass colour	3N (painted)	Brass col.	9-50710-00-0-3N
Medium bronze	4N (painted)	UC 3	9-50710-00-0-4
Dark brown	5X (coloured)	UC5	9-50710-00-0-5
Clay brown	54 (painted)	RAL 8003	9-50710-00-0-54
Black	6N (painted)	RAL 9005	9-50710-00-0-6
Cream white	7R (painted)	RAL 9001	9-50710-00-0-7R
Traffic white	7X (coloured)	RAL 9016	9-50710-00-0-7
Stainless-steel effect	8X (painted)	Stainless-steel effect	9-50710-00-0-8
Light ivory	AN (painted)	RAL 1015	9-50710-00-0-AN
Light brown	AM (painted)	F4 light brown	9-50710-00-0-AM
Titanium colour	CL (painted)	Titanium colour	9-50710-00-0-C
Anthracite grey	DP (painted)	RAL 7016	9-50710-00-0-DP

- Packaging: 100 pcs cover caps in cardboard box
- More colours are available on request

UNI-JET D – hinge-side accessories

Cover caps



Cover cap for pivot-rest D/100			
Colours	GU internal ref.	Info	Order number
Silver colour	1N (painted)	EV1	9-42683-00-0-1
Champagne	2N (painted)	EV2	9-42683-00-0-2
Vaporised brass	3R (vaporised)	Vap. brass	9-42683-00-0-3
Brass colour	3N (painted)	Brass col.	9-42683-00-0-3N
Medium bronze	4N (painted)	UC 3	9-42683-00-0-4
Dark brown	5X (coloured)	UC5	9-42683-00-0-5
Clay brown	54 (painted)	RAL 8003	9-42683-00-0-54
Black	6N (painted)	RAL 9005	9-42683-00-0-6
Cream white	7R (painted)	RAL 9001	9-42683-00-0-7R
Traffic white	7X (coloured)	RAL 9016	9-42683-00-0-7
Stainless-steel effect	8X (painted)	Stainless-steel effect	9-42683-00-0-8
Light ivory	AN (painted)	RAL 1015	9-42683-00-0-AN
Light brown	AM (painted)	F4 light brown	9-42683-00-0-AM
Titanium colour	CL (painted)	Titanium colour	9-42683-00-0-C
Anthracite grey	DP (painted)	RAL 7016	9-42683-00-0-DP



Cover cap for pivot-rest D/130 and pivot-rest D/150			
Colours	GU internal ref.	Info	Order number
Silver colour	1N (painted)	EV1	9-37770-00-0-1
Champagne	2N (painted)	EV2	9-37770-00-0-2
Vaporised brass	3R (vaporised)	Vap. brass	9-37770-00-0-3
Brass colour	3N (painted)	Brass col.	9-37770-00-0-3N
Medium bronze	4N (painted)	UC 3	9-37770-00-0-4
Dark brown	5X (coloured)	UC5	9-37770-00-0-5
Clay brown	54 (painted)	RAL 8003	9-37770-00-0-54
Black	6N (painted)	RAL 9005	9-37770-00-0-6
Cream white	7R (painted)	RAL 9001	9-37770-00-0-7R
Traffic white	7X (coloured)	RAL 9016	9-37770-00-0-7
Stainless-steel effect	8X (painted)	Stainless-steel effect	9-37770-00-0-8
Light ivory	AN (painted)	RAL 1015	9-37770-00-0-AN
Light brown	AM (painted)	F4 light brown	9-37770-00-0-AM
Titanium colour	CL (painted)	Titanium colour	9-37770-00-0-C
Anthracite grey	DP (painted)	RAL 7016	9-37770-00-0-DP

- Packaging: 100 pcs cover caps in cardboard box
- More colours are available on request