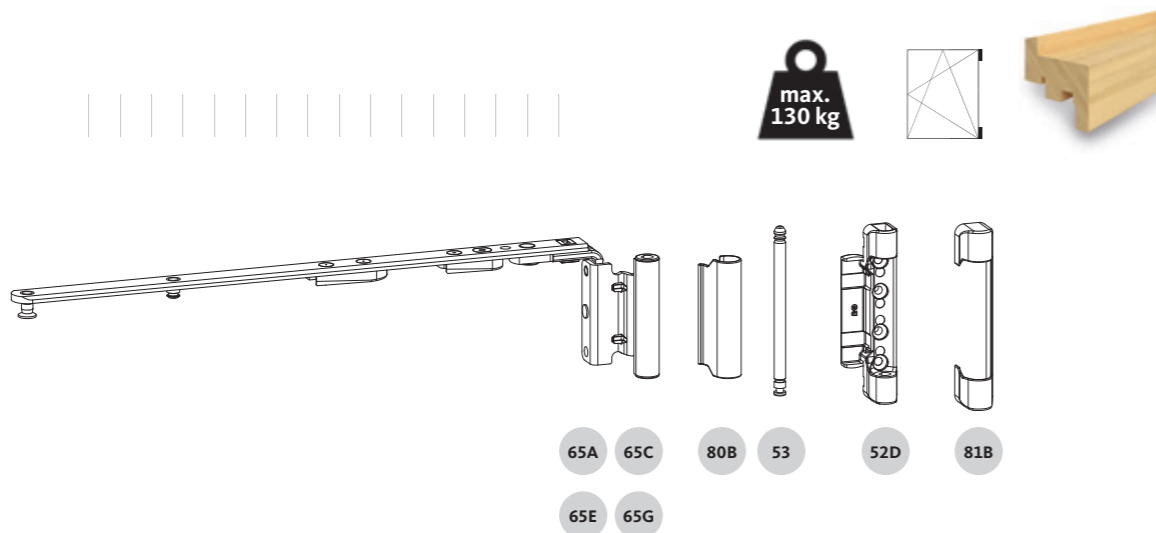
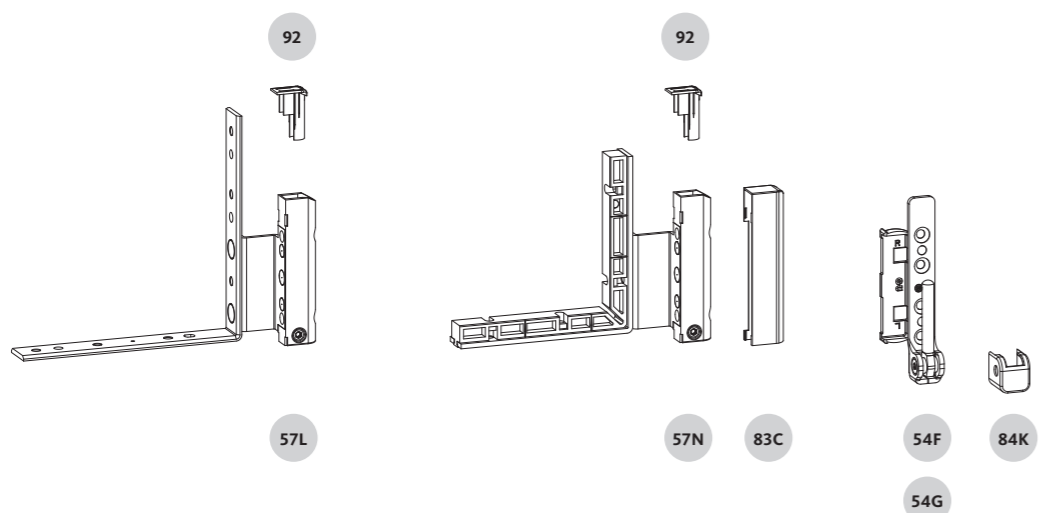


UNI-JET M6/12 – Tilt&Turn / Tilt-First sash

Max. sash weight 130 kg



- 65A
- 65C
- 80B
- 53
- 52D
- 81B
- 65E
- 65G



92

92

57L

57N

83C

54F

84K

54G

Tested hardware load-bearing capacity

- Max. 130 kg see application diagram 0-45559
- Installation drawing: 0-46605

Order example

Sash overlap
18 or 20

6-39153-□□-L/R-1

UNI-JET M6/12 – Tilt&Turn / Tilt-First sash

Max. sash weight 130 kg



Upper hinge-side

| Tilt&Turn stay-arm, AX 9 mm | | | | |
|------------------------------|-----------|--------|----|------------------|
| Item | SRW | Length | PU | Order number |
| 65A | 280-500 | 230 | 10 | 6-39153-□□-L/R-1 |
| | 501-750 | 314 | | 6-39154-□□-L/R-1 |
| | 751-1200 | 455 | | 6-39155-□□-L/R-1 |
| | 1201-1600 | 615 | | 6-39156-□□-L/R-1 |
| Tilt&Turn stay-arm, AX 13 mm | | | | |
| 65C | 280-500 | 230 | 10 | 6-39157-□□-L/R-1 |
| | 501-750 | 314 | | 6-39158-□□-L/R-1 |
| | 751-1200 | 455 | | 6-39159-□□-L/R-1 |
| | 1201-1600 | 615 | | 6-39160-□□-L/R-1 |

| Tilt-First stay-arm, AX 9 mm | | | | |
|-------------------------------|-----------|--------|----|------------------|
| Item | SRW | Length | PU | Order number |
| 65E | 280-500 | 230 | 10 | 6-39169-□□-L/R-1 |
| | 501-750 | 314 | | 6-39170-□□-L/R-1 |
| | 751-1200 | 455 | | 6-39171-□□-L/R-1 |
| | 1201-1600 | 615 | | 6-39172-□□-L/R-1 |
| Tilt-First stay-arm, AX 13 mm | | | | |
| 65G | 280-500 | 230 | 10 | 6-39173-□□-L/R-1 |
| | 501-750 | 314 | | 6-39174-□□-L/R-1 |
| | 751-1200 | 455 | | 6-39175-□□-L/R-1 |
| | 1201-1600 | 615 | | 6-39176-□□-L/R-1 |

| Cover cap for stay-hinge | | | |
|--------------------------|--------------|-----|----------------|
| Item | Colours | PU | Order number |
| 80B | See page 290 | 100 | 9-47796-01-0-□ |

| Stay-bearing pin | | | |
|------------------|---------|-----|----------------|
| Item | Colours | PU | Order number |
| 53 | | 100 | 9-48898-00-0-1 |

| Stay-bearing M6 | | | |
|-----------------|------------|-----|-------------------------------|
| Item | System | PU | Order number |
| 52D | 12/18-9+13 | 100 | 6-36050-□□-0-1 |
| | 12/20-9+13 | | 6-36050-84-0-1 ^[1] |
| | 12/18-9+13 | | |

| Cover cap for stay-bearing | | | |
|----------------------------|--------------|-----|----------------|
| Item | Colours | PU | Order number |
| 81B | See page 291 | 100 | 9-47334-01-0-□ |

Lower hinge-side

| Rebate corner-hinge – without hardware groove, without turn-brake | | | |
|---|------------|----|------------------|
| Item | System | PU | Order number |
| 57L | 12/18-9+13 | 50 | 6-36851-□□-L/R-1 |
| | 12/20-9+13 | | |
| Rebate corner-hinge – with hardware groove, without turn-brake | | | |
| 57N | 12/18-9 | 50 | 6-36118-□□-L/R-1 |
| | 12/20-9 | | 6-36120-□□-L/R-1 |
| | 12/18-13 | | |
| | 12/20-13 | | |

| Plug | | | |
|------|--------------|-----|----------------|
| Item | Colours | PU | Order number |
| 92 | See page 294 | 100 | 9-47426-00-0-□ |

| Cover cap for rebate corner-hinge | | | |
|-----------------------------------|--------------|-----|------------------|
| Item | Colours | PU | Order number |
| 83C | See page 293 | 100 | 9-47782-00-L/R-□ |

| Pivot-rest M6/100 | | | |
|-------------------|------------|-----|---------------------------------|
| Item | System | PU | Order number |
| 54F | 12/18-9+13 | 100 | 6-36876-□□-L/R-1 |
| | 12/20-9+13 | | 6-36876-84-L/R-1 ^[1] |
| | 12/18-9+13 | | |
| Pivot-rest M6/130 | | | |
| 54G | 12/18-9+13 | 100 | 6-36899-□□-L/R-1 |
| | 12/20-9+13 | | 6-36899-84-L/R-1 ^[1] |
| | 12/18-9+13 | | |

| Cover cap for pivot-rest | | | |
|--------------------------|--------------|-----|----------------|
| Item | Colours | PU | Order number |
| 84K | See page 292 | 100 | 9-42683-00-0-□ |

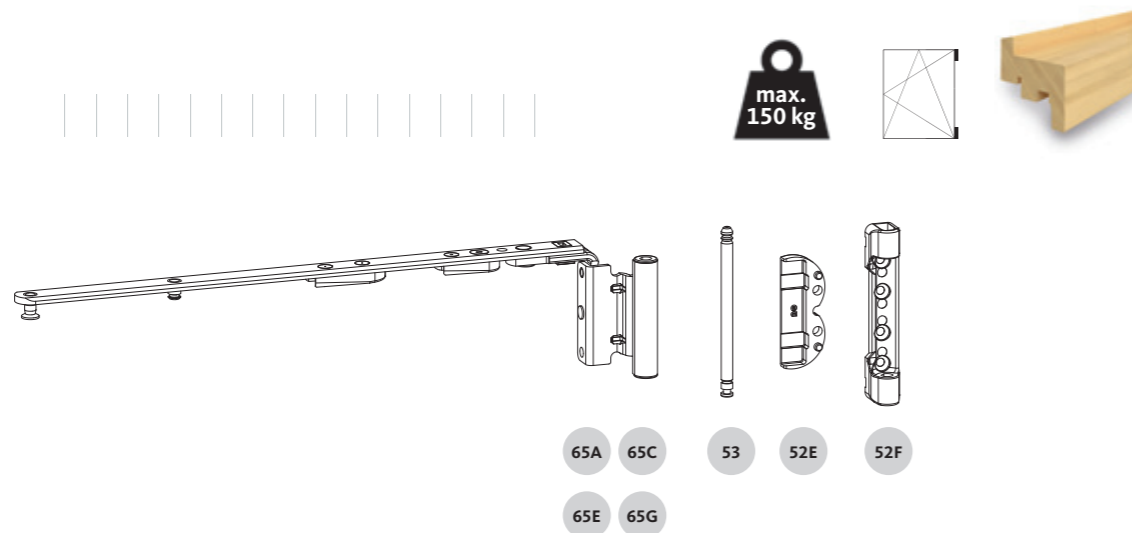
[1] The drill holes for the 2 additional size 84 pins (8 mm bore hole diameter / length 5 mm) are 21.6 mm apart on the axis of the fixing screws. See installation drawing 0-46605.

General information

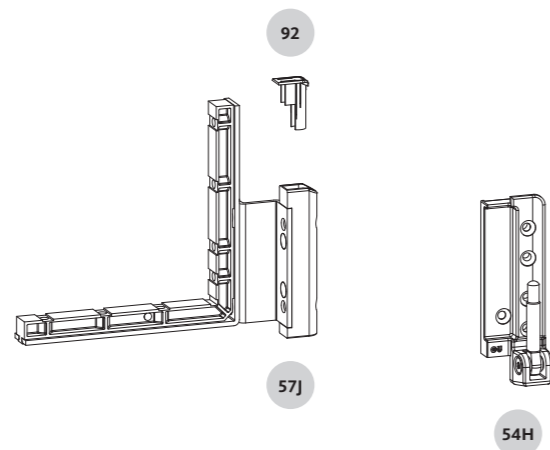
- For Tilt&Turn: with T&T additional stay (8-00734-00-0-1).
Sash weight < 100 kg: SRW 1301-1600, Sash weight > 100 kg: SRW 1201-1600
- For Tilt-First: with TF additional stay (G-45995-00-0-1).
Sash weight < 100 kg: SRW 1301-1600, Sash weight > 100 kg: SRW 1201-1600

UNI-JET M6/150 – Tilt&Turn / Tilt-First sash

Max. sash weight 150 kg



- 65A
- 65C
- 53
- 52E
- 52F
- 65E
- 65G



Tested hardware load-bearing capacity

- Max. 150 kg see application diagram 0-47271
- Installation drawing: 0-47272

Order example

Sash overlap
18 or 20
6-39153-□□-L/R-1

UNI-JET M6/150 – Tilt&Turn / Tilt-First sash

Max. sash weight 150 kg



Upper hinge-side

| Tilt&Turn stay-arm, AX 9 mm | | | | |
|-----------------------------|-----------|--------|----|------------------|
| Item | SRW | Length | PU | Order number |
| 65 A | 280-500 | 230 | 10 | 6-39153-□□-L/R-1 |
| | 501-750 | 314 | | 6-39154-□□-L/R-1 |
| | 751-1200 | 455 | | 6-39155-□□-L/R-1 |
| | 1201-1600 | 615 | | 6-39156-□□-L/R-1 |

| Tilt&Turn stay-arm, AX 13 mm | | | | |
|------------------------------|-----------|--------|----|------------------|
| Item | SRW | Length | PU | Order number |
| 65C | 280-500 | 230 | 10 | 6-39157-□□-L/R-1 |
| | 501-750 | 314 | | 6-39158-□□-L/R-1 |
| | 751-1200 | 455 | | 6-39159-□□-L/R-1 |
| | 1201-1600 | 615 | | 6-39160-□□-L/R-1 |

| Tilt-First stay-arm, AX 9 mm | | | | |
|------------------------------|-----------|--------|----|------------------|
| Item | SRW | Length | PU | Order number |
| 65E | 280-500 | 230 | 10 | 6-39169-□□-L/R-1 |
| | 501-750 | 314 | | 6-39170-□□-L/R-1 |
| | 751-1200 | 455 | | 6-39171-□□-L/R-1 |
| | 1201-1600 | 615 | | 6-39172-□□-L/R-1 |

| Tilt-First stay-arm, AX 13 mm | | | | |
|-------------------------------|-----------|--------|----|------------------|
| Item | SRW | Length | PU | Order number |
| 65G | 280-500 | 230 | 10 | 6-39173-□□-L/R-1 |
| | 501-750 | 314 | | 6-39174-□□-L/R-1 |
| | 751-1200 | 455 | | 6-39175-□□-L/R-1 |
| | 1201-1600 | 615 | | 6-39176-□□-L/R-1 |

| Stay-bearing pin | | | |
|------------------|--|-----|----------------|
| Item | | PU | Order number |
| 53 | | 100 | 9-48898-00-0-1 |

| 2 x Ø 34 mm drill-hole part for stay-bearing M6/150 | | | |
|---|------------|-----|----------------|
| Item | System | PU | Order number |
| 52E | 12/18-9+13 | 100 | 9-37918-□□-0-1 |
| | 12/20-9+13 | | |

| M6/150 stay-bearing (positioning pin Ø 6, length = 10 mm) | | | |
|---|------------|-----|----------------|
| Item | System | PU | Order number |
| 52F | 12/18-9+13 | 100 | 6-36026-10-0-1 |
| | 12/20-9+13 | | |

Lower hinge-side

| Rebate corner-hinge M6/150 – without turn-brake | | | |
|---|----------|----|---------------------------------|
| Item | System | PU | Order number |
| 57J | 12/18-9 | 50 | 6-35527-□□-L/R-1 ^[1] |
| | 12/20-9 | | |
| | 12/18-13 | | 6-35528-□□-L/R-1 ^[1] |
| | 12/20-13 | | |

| Plug | | | |
|------|--------------|-----|----------------|
| Item | Colours | PU | Order number |
| 92 | See page 308 | 100 | 9-47426-00-0-□ |

| Pivot-rest M6/150 | | | |
|-------------------|------------|-----|---------------------------------|
| Item | System | PU | Order number |
| 54H | 12/18-9+13 | 100 | 6-35932-□□-L/R-1 ^[1] |
| | 12/20-9+13 | | |

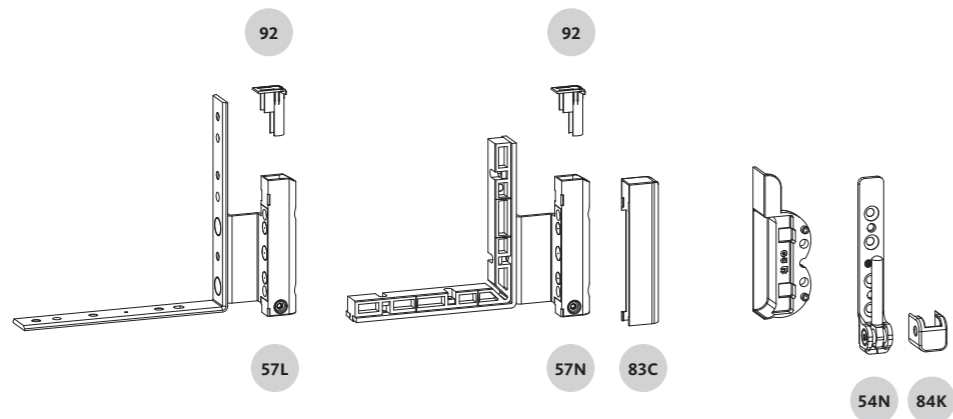
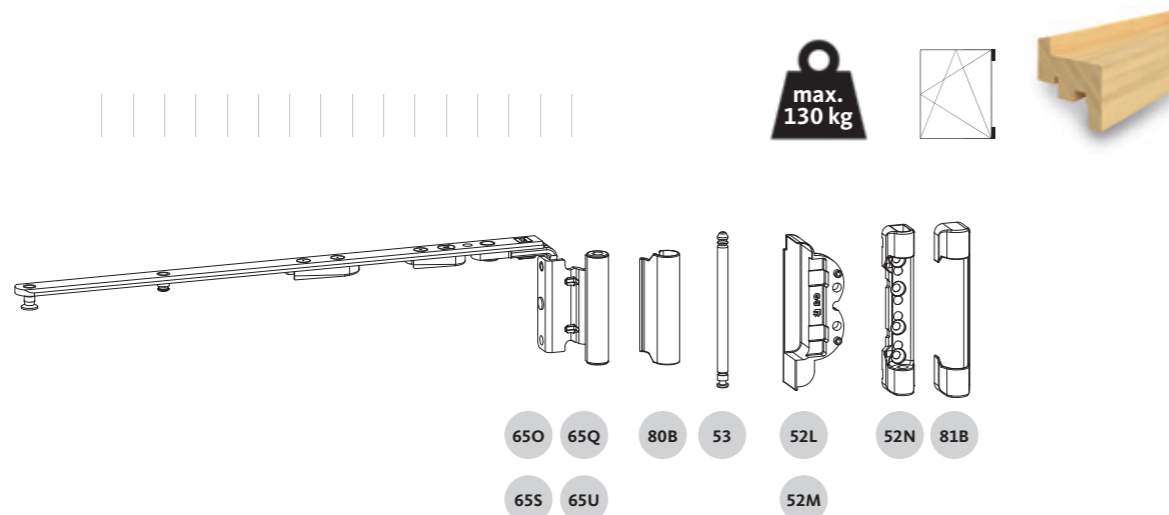
[1] No cover caps available for this product.

General information

- For Tilt&Turn: with T&T additional stay (8-00734-00-0-1).
Sash weight < 100 kg: SRW 1301-1600, sash weight > 100 kg: SRW 1201-1600.
- For Tilt-First: with TF additional stay (G-45995-00-0-1).
Sash weight < 100 kg: SRW 1301-1600, sash weight > 100 kg: SRW 1201-1600.

UNI-JET M6/4 – Tilt&Turn / Tilt-First sash

Max. sash weight 130 kg



Tested hardware load-bearing capacity

- Max. 130 kg see application diagram 0-45559
- Installation drawing: 0-46733

Order example

Sash overlap
15 or 18
6-39153-□□-L/R-1

UNI-JET M6/4 – Tilt&Turn / Tilt-First sash

Max. sash weight 130 kg



Upper hinge-side

| Tilt&Turn stay-arm, AX 9 mm | | | | |
|-----------------------------|-----------|--------|----|------------------|
| Item | SRW | Length | PU | Order number |
| 65O | 280-500 | 230 | 10 | 6-39153-□□-L/R-1 |
| | 501-750 | 314 | | 6-39154-□□-L/R-1 |
| | 751-1200 | 455 | | 6-39155-□□-L/R-1 |
| | 1201-1600 | 615 | | 6-39156-□□-L/R-1 |

| Tilt&Turn stay-arm, AX 13 mm | | | | |
|------------------------------|-----------|--------|----|------------------|
| Item | SRW | Length | PU | Order number |
| 65Q | 280-500 | 230 | 10 | 6-39157-□□-L/R-1 |
| | 501-750 | 314 | | 6-39158-□□-L/R-1 |
| | 751-1200 | 455 | | 6-39159-□□-L/R-1 |
| | 1201-1600 | 615 | | 6-39160-□□-L/R-1 |

| Tilt-First stay-arm, AX 9 mm | | | | |
|------------------------------|-----------|--------|----|------------------|
| Item | SRW | Length | PU | Order number |
| 65S | 280-500 | 230 | 10 | 6-39169-□□-L/R-1 |
| | 501-750 | 314 | | 6-39170-□□-L/R-1 |
| | 751-1200 | 455 | | 6-39171-□□-L/R-1 |
| | 1201-1600 | 615 | | 6-39172-□□-L/R-1 |

| Tilt-First stay-arm, AX 13 mm | | | | |
|-------------------------------|-----------|--------|----|------------------|
| Item | SRW | Length | PU | Order number |
| 65U | 280-500 | 230 | 10 | 6-39173-□□-L/R-1 |
| | 501-750 | 314 | | 6-39174-□□-L/R-1 |
| | 751-1200 | 455 | | 6-39175-□□-L/R-1 |
| | 1201-1600 | 615 | | 6-39176-□□-L/R-1 |

| Cover cap for stay-hinge | | | |
|--------------------------|--------------|-----|----------------|
| Item | Colours | PU | Order number |
| 80B | See page 356 | 100 | 9-47796-01-0-□ |

| Stay-bearing pin | | | |
|------------------|--|-----|----------------|
| Item | | PU | Order number |
| 53 | | 100 | 9-48898-00-0-1 |

| Top 2 x Ø 34 mm drill-hole part M6/4 | | | |
|--------------------------------------|---------|-----|------------------|
| Item | System | PU | Order number |
| 52L | 4/15-8 | 100 | 9-39941-15-L/R-1 |
| | 4/18-9 | | 9-39941-18-L/R-1 |
| | 4/18-13 | | 9-44833-18-L/R-1 |

| Top 2 x Ø 34 mm drill-hole part M6/4i | | | |
|---------------------------------------|--------|-----|------------------|
| Item | System | PU | Order number |
| 52M | 4/15-8 | 100 | 9-39383-15-L/R-1 |
| | 4/18-9 | | 9-39383-18-L/R-1 |

| Stay-bearing for 2 x Ø 34 mm drill-hole part M6/4, M6/4i | | | |
|--|---------|-----|----------------|
| Item | System | PU | Order number |
| 52N | 4/15-8 | 100 | 6-36026-00-0-1 |
| | 4/18-9 | | |
| | 4/18-13 | | |

| Cover cap for stay-bearing | | | |
|----------------------------|--------------|-----|----------------|
| Item | Colours | PU | Order number |
| 81B | See page 357 | 100 | 9-47334-01-0-□ |

Lower hinge-side

| Rebate corner-hinge – without hardware groove, without turn-brake | | | |
|---|-----------|----|------------------|
| Item | System | PU | Order number |
| 57L | 4/15-8 | 50 | 6-36851-15-L/R-1 |
| | 4/18-9+13 | | 6-36851-18-L/R-1 |

| Rebate corner-hinge – with hardware groove, without turn-brake | | | |
|--|---------|----|------------------|
| Item | System | PU | Order number |
| 57N | 4/15-8 | 50 | 6-36118-15-L/R-1 |
| | 4/18-9 | | 6-36118-18-L/R-1 |
| | 4/18-13 | | 6-36120-18-L/R-1 |

| Plug | | | |
|------|--------------|-----|----------------|
| Item | Colours | PU | Order number |
| 92 | See page 360 | 100 | 9-47426-00-0-□ |

| Cover cap for rebate corner-hinge | | | |
|-----------------------------------|--------------|-----|------------------|
| Item | Colours | PU | Order number |
| 83C | See page 359 | 100 | 9-47782-00-L/R-□ |

| Bottom 2 x Ø 34 mm drill-hole M6/4 | | | |
|------------------------------------|---------|-----|------------------|
| Item | System | PU | Order number |
| 54P | 4/15-8 | 100 | 9-39942-15-L/R-1 |
| | 4/18-9 | | 9-39942-18-L/R-1 |
| | 4/18-13 | | 9-44832-18-L/R-1 |

| Bottom 2 x Ø 34 mm drill-hole part M6/4i | | | |
|--|--------|-----|------------------|
| Item | System | PU | Order number |
| 54Q | 4/15-8 | 100 | 9-39384-15-L/R-1 |
| | 4/18-9 | | 9-39384-18-L/R-1 |

| Pivot-rest M6/130 | | | |
|-------------------|---------|-----|----------------|
| Item | System | PU | Order number |
| 54N | 4/15-8 | 100 | 6-36875-01-0-1 |
| | 4/18-9 | | |
| | 4/18-13 | | |

| Cover cap for pivot-rest | | | |
|--------------------------|--------------|-----|----------------|
| Item | Colours | PU | Order number |
| 84K | See page 358 | 100 | 9-42683-00-0-□ |

General information

- For Tilt&Turn: with T&T additional stay (8-00734-00-0-1).
Sash weight < 100 kg: SRW 1301-1600, Sash weight > 100 kg: SRW 1201-1600
- For Tilt-First: with TF additional stay (G-45995-00-0-1).
Sash weight < 100 kg: SRW 1301-1600, Sash weight > 100 kg: SRW 1201-1600