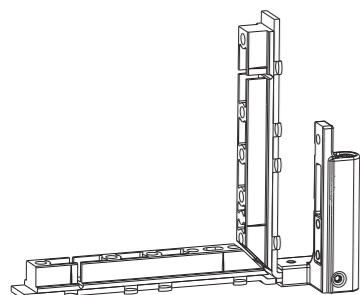


UNI-JET M20/12 – hinge-side accessories

Rebate corner-hinge



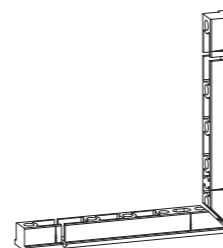
Rebate corner-hinge – with hardware groove, with turn-brake			
Item	System	PU	Order number
57O	12/18+20-9	50	6-30220-00-L/R-1

- Compatible with hinge-side M20 – up to 130 kg sash weight
- For sash with circumferential 16 mm hardware groove
- Adjustable concealed turn-brake prevents the sash from closing of its own accord (also with slight air draughts)



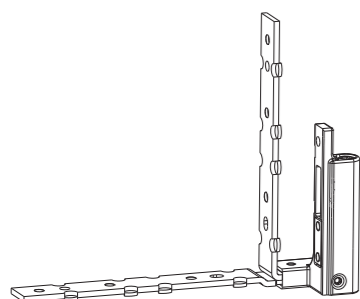
UNI-JET M20/12 – hinge-side accessories

Rebate corner-hinge



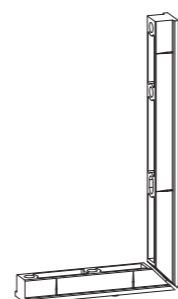
Hardware-groove packer for rebate corner-hinge			
Item	System	PU	Order number
59H	12/18-9+13	100	9-29533-00-0-1

- Compatible with the M20 rebate corner-hinges 6-30220, 6-28023, 6-28520



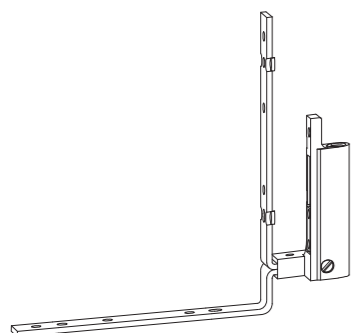
Rebate corner-hinge – without hardware groove, with turn-brake			
Item	System	PU	Order number
57M	12/18+20-9	50	6-28023-00-L/R-1

- Compatible with hinge-side M20 – up to 130 kg sash weight
- For sashes without circumferential 16 mm hardware groove, can optionally be combined with hardware-groove packer
- Adjustable concealed turn-brake prevents the sash from closing of its own accord (also with slight air draughts)



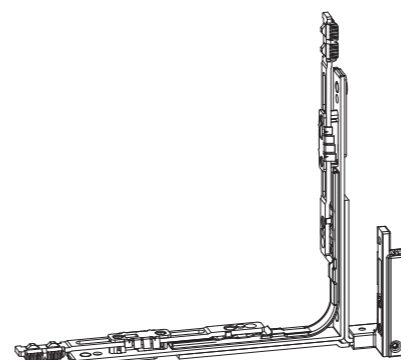
Hardware-groove packer for higher positioned rebate corner-hinge			
Item	System	PU	Order number
59J	12/18+20-9	100	9-44235-00-0-1

- Compatible with M20 rebate corner-hinge 6-28520



Higher positioned rebate corner-hinge – without hardware groove, with turn-brake			
Item	System	PU	Order number
58L	12/18+20-9	50	6-28520-00-L/R-1

- Compatible with hinge-side M20 – up to 130 kg sash weight
- For sashes without circumferential 16 mm hardware groove, can optionally be combined with hardware-groove packer
- Suitable for barrier-free construction and balcony-doors with low threshold
- Adjustable concealed turn-brake prevents the sash from closing of its own accord (also with slight air draughts)



Corner-drive rebate-hinge M20			
Item	System	PU	Order number
60K	12/18-9	10	6-28136-18-L/R-1
	12/20-9		6-28136-20-L/R-1

- Compatible with hinge-side M20 – up to 100 kg sash weight
- The corner-drive rebate-hinge combines the functions of rebate corner-hinge and corner-drive. The integrated corner-drive has the function of deflecting the hinge-side locking system around the corner at the bottom
- For arched and pitched windows
- Adjustable concealed turn-brake prevents the sash from closing of its own accord (also with slight air draughts)