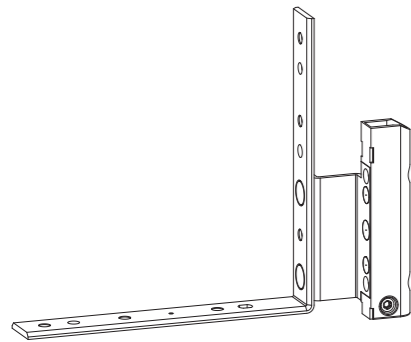


UNI-JET M6/12 – hinge-side accessories

Rebate corner-hinge

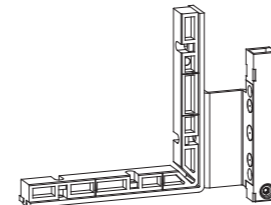


Rebate corner-hinge – without hardware groove, without turn-brake			
Item	System	PU	Order number
57L	12/18-9+13	50	6-36851-18-L/R-1
	12/20-9+13		6-36851-20-L/R-1

- Compatible with hinge-side M6 – up to 130 kg sash weight
- Suitable cover cap: 9-47782-00-L/R-□ (available colours refer to page 293)
- Easy to adjust without having to remove cap due to flexible adjusting cap 9-47426 on the rebate corner-hinge (available colours refer to page 294)

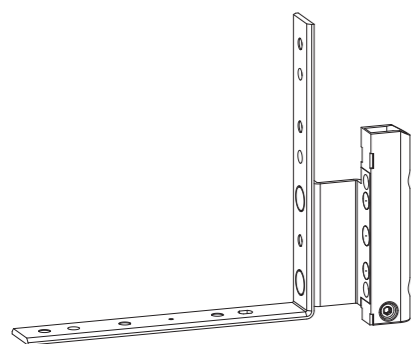
UNI-JET M6/12 – hinge-side accessories

Rebate corner-hinge



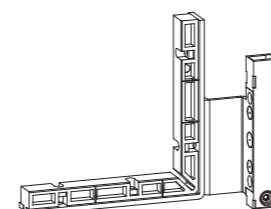
Rebate corner-hinge – with hardware groove, without turn-brake			
Item	System	PU	Order number
57N	12/18-9	50	6-36118-18-L/R-1
	12/20-9		6-36118-20-L/R-1
	12/18-13		6-36120-18-L/R-1
	12/20-13		6-36120-20-L/R-1

- Compatible with hinge-side M6 – up to 130 kg sash weight
- Suitable cover cap: 9-47782-00-L/R-□ (available colours refer to page 293)
- Easy to adjust without having to remove cap due to flexible adjusting cap 9-47426 on the rebate corner-hinge (available colours refer to page 294)



Rebate corner-hinge – without hardware groove, with turn-brake			
Item	System	PU	Order number
57M	12/18-9+13	50	6-36853-18-L/R-1
	12/20-9+13		6-36853-20-L/R-1

- Compatible with hinge-side M6 – up to 130 kg sash weight
- Suitable cover cap: 9-47782-00-L/R-□ (available colours refer to page 293)
- Easy to adjust without having to remove cap due to flexible adjusting cap 9-47426 on the rebate corner-hinge (available colours refer to page 294)
- Adjustable concealed turn-brake prevents the sash from closing of its own accord (also with slight air draughts)



Rebate corner-hinge – with hardware groove, with turn-brake			
Item	System	PU	Order number
57O	12/18-9	50	6-36121-18-L/R-1
	12/20-9		6-36121-20-L/R-1
	12/18-13		6-36122-18-L/R-1
	12/20-13		6-36122-20-L/R-1

- Compatible with hinge-side M6 – up to 130 kg sash weight
- Suitable cover cap: 9-47782-00-L/R-□ (available colours refer to page 293)
- Easy to adjust without having to remove cap due to flexible adjusting cap 9-47426 on the rebate corner-hinge (available colours refer to page 294)
- Adjustable concealed turn-brake prevents the sash from closing of its own accord (also with slight air draughts)