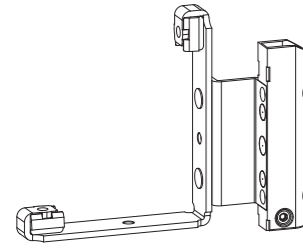


# UNI-JET D – hinge-side accessories

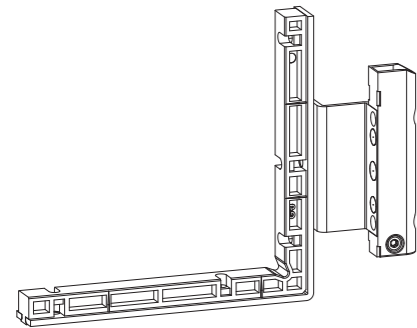
## Rebate corner-hinge



Rebate corner-hinge D/150 – with turn-brake, AX 9 mm			
Item	Description	PU	Order number
57C	Size 18	100	6-36140-18-L/R-1
	Size 20		6-36140-20-L/R-1
	Size 22		6-36140-22-L/R-1

Rebate corner-hinge D/150 – with turn-brake, AX 13 mm			
Item	Description	PU	Order number
57C	Size 18	100	6-36141-18-L/R-1
	Size 20		6-36141-20-L/R-1
	Size 22		6-36141-22-L/R-1

- Adjustable concealed turn-brake prevents the sash from closing of its own accord (also with slight air draughts).

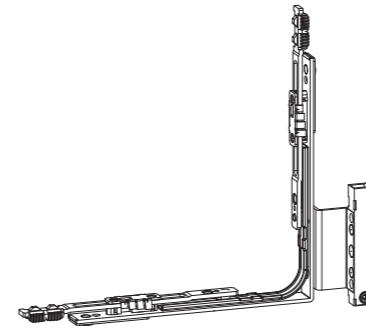


Higher positioned rebate corner-hinge D/130 – with turn-brake, AX 13 mm			
Item	Description	PU	Order number
58B	Size 18	50	6-36883-18-L/R-1
	Size 20		6-36883-20-L/R-1
	Size 22		6-36883-22-L/R-1

- Adjustable concealed turn-brake prevents the sash from closing of its own accord (also with slight air draughts).

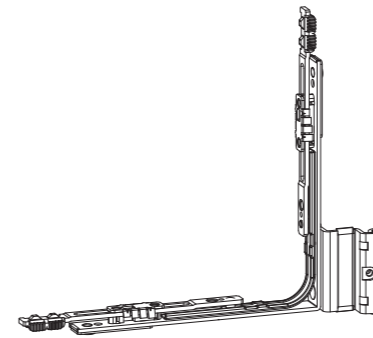
# UNI-JET D – hinge-side accessories

## Corner-drive rebate-hinge / rebate corner-hinge



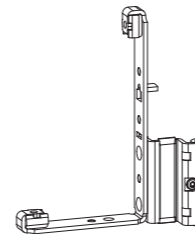
Corner-drive rebate-hinge D/100 – with turn-brake			
Item	Description	PU	Order number
60A	Size 18 / AX 9	50	6-36890-18-L/R-1
	Size 18 / AX 13		6-36891-18-L/R-1
	Size 20 / AX 9		6-36890-20-L/R-1
	Size 20 / AX 13		6-36891-20-L/R-1
	Size 22 / AX 9		6-36890-22-L/R-1
	Size 22 / AX 13		6-36891-22-L/R-1

- The corner-drive rebate-hinge combines the functions of rebate corner-hinge and corner-drive. The integrated corner-drive has the function of deflecting the hinge-side locking system around the corner at the bottom.
- For arched and pitched windows.
- Adjustable concealed turn-brake prevents the sash from closing of its own accord (also with slight air draughts).



Corner-drive rebate-hinge D/100 – without overlap screw-fixing, with turn-brake			
Item	Description	PU	Order number
60G	Size 18 / AX 9	50	6-39000-18-L/R-1
	Size 18 / AX 13		6-39001-18-L/R-1
	Size 20 / AX 9		6-39000-20-L/R-1
	Size 20 / AX 13		6-39001-20-L/R-1

- The corner-drive rebate-hinge combines the functions of rebate corner-hinge and corner-drive. The integrated corner-drive has the function of deflecting the hinge-side locking system around the corner at the bottom.
- For arched and pitched windows.
- Adjustable concealed turn-brake prevents the sash from closing of its own accord (also with slight air draughts).



Rebate corner-hinge D/100 – without overlap screw-fixing, with turn-brake			
Item	Description	PU	Order number
59A	Size 18 / AX 9	50	6-37455-18-L/R-1
	Size 18 / AX 13		6-37456-18-L/R-1
	Size 20 / AX 9		6-37455-20-L/R-1
	Size 20 / AX 13		6-37456-20-L/R-1

- Adjustable concealed turn-brake prevents the sash from closing of its own accord (also with slight air draughts).