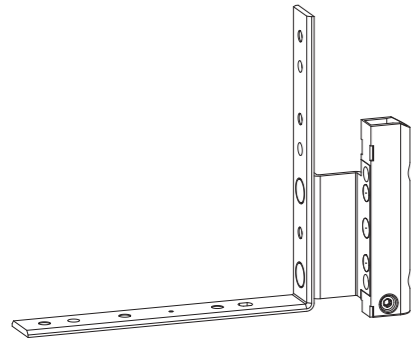


UNI-JET M6/12 – hinge-side accessories

Rebate corner-hinge



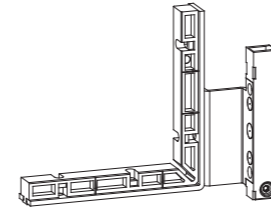
Rebate corner-hinge – without hardware groove, without turn-brake			
Item	System	PU	Order number
57L	12/18-9+13	50	6-36851-18-L/R-1
	12/20-9+13		6-36851-20-L/R-1

- Compatible with hinge-side M6 – up to 130 kg sash weight
- Suitable cover cap: 9-47782-00-L/R-□ (available colours refer to page 293)
- Easy to adjust without having to remove cap due to flexible adjusting cap 9-47426 on the rebate corner-hinge (available colours refer to page 294)



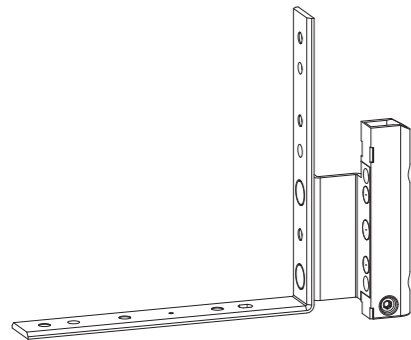
UNI-JET M6/12 – hinge-side accessories

Rebate corner-hinge



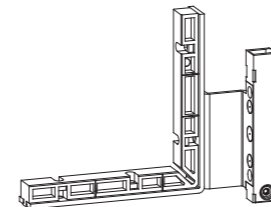
Rebate corner-hinge – with hardware groove, without turn-brake			
Item	System	PU	Order number
57N	12/18-9	50	6-36118-18-L/R-1
	12/20-9		6-36118-20-L/R-1
	12/18-13		6-36120-18-L/R-1
	12/20-13		6-36120-20-L/R-1

- Compatible with hinge-side M6 – up to 130 kg sash weight
- Suitable cover cap: 9-47782-00-L/R-□ (available colours refer to page 293)
- Easy to adjust without having to remove cap due to flexible adjusting cap 9-47426 on the rebate corner-hinge (available colours refer to page 294)



Rebate corner-hinge – without hardware groove, with turn-brake			
Item	System	PU	Order number
57M	12/18-9+13	50	6-36853-18-L/R-1
	12/20-9+13		6-36853-20-L/R-1

- Compatible with hinge-side M6 – up to 130 kg sash weight
- Suitable cover cap: 9-47782-00-L/R-□ (available colours refer to page 293)
- Easy to adjust without having to remove cap due to flexible adjusting cap 9-47426 on the rebate corner-hinge (available colours refer to page 294)
- Adjustable concealed turn-brake prevents the sash from closing of its own accord (also with slight air draughts)

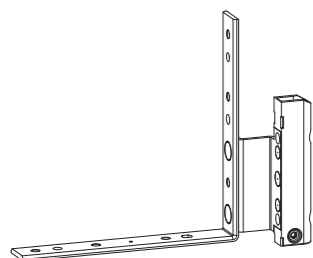


Rebate corner-hinge – with hardware groove, with turn-brake			
Item	System	PU	Order number
57O	12/18-9	50	6-36121-18-L/R-1
	12/20-9		6-36121-20-L/R-1
	12/18-13		6-36122-18-L/R-1
	12/20-13		6-36122-20-L/R-1

- Compatible with hinge-side M6 – up to 130 kg sash weight
- Suitable cover cap: 9-47782-00-L/R-□ (available colours refer to page 293)
- Easy to adjust without having to remove cap due to flexible adjusting cap 9-47426 on the rebate corner-hinge (available colours refer to page 294)
- Adjustable concealed turn-brake prevents the sash from closing of its own accord (also with slight air draughts)

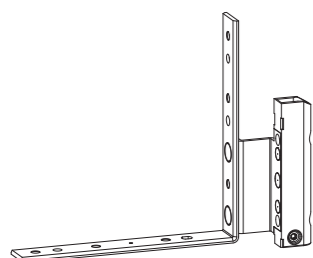
UNI-JET M6/4 – hinge-side accessories

Rebate corner-hinge



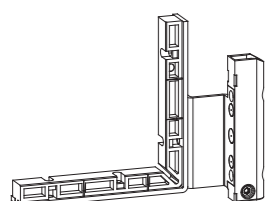
Rebate corner-hinge – without hardware groove, without turn-brake			
Item	System	PU	Order number
57L	4/15-8	100	6-36851-15-L/R-1
	4/18-9+13		6-36851-18-L/R-1

- Compatible with hinge-side M6/4 and M6/4i – up to 130 kg sash weight
- Suitable cover cap: 9-47782-00-L/R-□ (available colours refer to page 359)



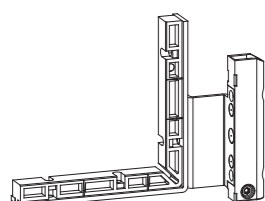
Rebate corner-hinge – without hardware groove, with turn-brake			
Item	System	PU	Order number
57M	4/15-8	100	6-36853-15-L/R-1
	4/18-9+13		6-36853-18-L/R-1

- Compatible with hinge-side M6/4 and M6/4i – up to 130 kg sash weight
- Suitable cover cap: 9-47782-00-L/R-□ (available colours refer to page 359)
- Adjustable concealed turn-brake prevents the sash from closing of its own accord (also with slight air draughts)



Rebate corner-hinge – with hardware groove, without turn-brake			
Item	System	PU	Order number
57N	4/15-8	50	6-36118-15-L/R-1
	4/18-9		6-36118-18-L/R-1
	4/18-13		6-36120-18-L/R-1

- Compatible with hinge-side M6/4 and M6/4i – up to 130 kg sash weight
- Suitable cover cap: 9-47782-00-L/R-□ (available colours refer to page 359)

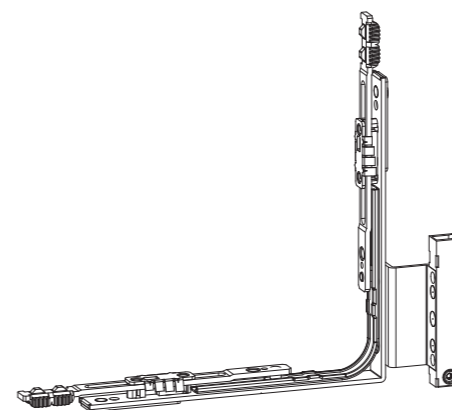


Rebate corner-hinge – with hardware groove, with turn-brake			
Item	System	PU	Order number
57O	4/15-8	50	6-36121-15-L/R-1
	4/18-9		6-36121-18-L/R-1
	4/18-13		6-36122-18-L/R-1

- Compatible with hinge-side M6/4 and M6/4i – up to 130 kg sash weight
- Suitable cover cap: 9-47782-00-L/R-□ (available colours refer to page 359)
- Adjustable concealed turn-brake prevents the sash from closing of its own accord (also with slight air draughts)

UNI-JET M6/4 – hinge-side accessories

Corner-drive rebate-hinge



Corner-drive rebate-hinge M6/100 – with turn-brake			
Item	System	PU	Order number
60L	4/15-8	100	6-36888-15-L/R-1
	4/18-9		6-36888-18-L/R-1
	4/18-13		6-36889-18-L/R-1

- Compatible with hinge-side M6/4 and M6/4i – up to 100 kg sash weight
- The corner-drive rebate-hinge combines the functions of rebate corner-hinge and corner-drive. The integrated corner-drive has the function of deflecting the hinge-side locking system around the corner at the bottom
- For arched and pitched windows
- Can only be used in sashes with circumferential 16 mm hardware groove
- Suitable cover cap: 9-47782-00-L/R-□ (available colours refer to page 359)
- Adjustable concealed turn-brake prevents the sash from closing of its own accord (also with slight air draughts)