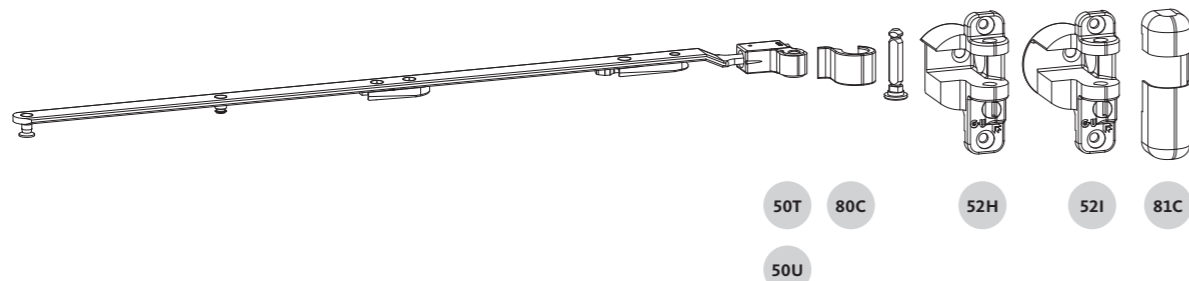
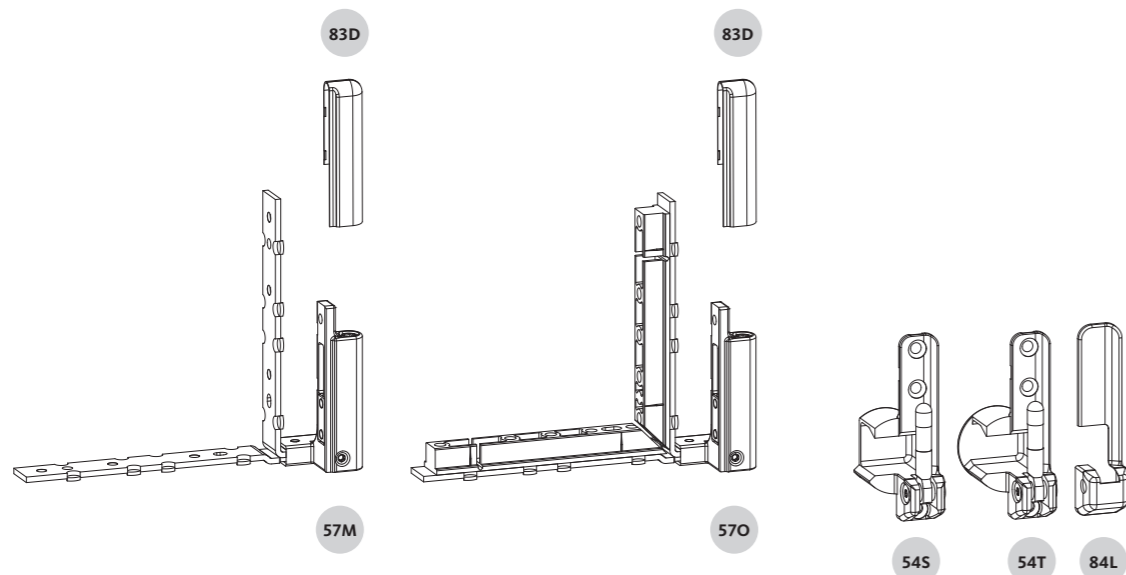


UNI-JET M20/12 – Tilt&Turn / Tilt-First sash

Max. sash weight 130 kg



50T 80C 52H 52I 81C
50U



83D

83D

57M

57O

54S

54T

84L

Tested hardware load-bearing capacity

- Max. 130 kg see application diagram 0-45559
- Installation drawing: 0-44352

Order example

Sash overlap
18 or 20
6-28010-□□-0-1

UNI-JET M20/12 – Tilt&Turn / Tilt-First sash

Max. sash weight 130 kg



Upper hinge-side

Tilt&Turn stay-arm, AX 9 mm

Item	SRW	Length	PU	Order number
50T	280-500	240	10	6-28010-□□-0-1
	501-750	330		6-28011-□□-0-1
	751-1200	470		6-28012-□□-0-1
	1201-1600	630		6-28013-□□-0-1

Tilt-First stay-arm, AX 9 mm

Item	SRW	Length	PU	Order number
50U	280-500	240	10	6-28120-□□-0-1
	501-750	330		6-28121-□□-0-1
	751-1200	470		6-28122-□□-0-1
	1201-1600	630		6-28123-□□-0-1

Cover cap for stay-hinge

Item	Colours	PU	Order number
80C	See page 329	100	9-36558-00-0-□

Stay-bearing M20 [1]

Item	System	PU	Order number
52H	12/18+20-9	100	6-28020-00-L/R-1

Stay-bearing M20 [2]

Item	System	PU	Order number
52I	12/18+20-9	100	6-28020-18-L/R-1

Cover cap for stay-bearing

Item	Colours	PU	Order number
81C	See page 328	100	9-36559-00-L/R-□

Lower hinge-side

Rebate corner-hinge – without hardware groove, with turn-brake

Item	System	PU	Order number
57M	12/18+20-9	50	6-28023-00-L/R-1

Rebate corner-hinge – with hardware groove, with turn-brake

Item	System	PU	Order number
57O	12/18+20-9	50	6-30220-00-L/R-1

Cover cap for rebate corner-hinge

Item	Colours	PU	Order number
83D	See page 329	100	9-36561-00-L/R-□

Pivot-rest M20 [3]

Item	System	PU	Order number
54S	12/18+20-9	100	6-28022-00-L/R-1

Pivot-rest M20 [4]

Item	System	PU	Order number
54T	12/18+20-9	100	6-28022-18-L/R-1

Cover cap for pivot-rest

Item	Colours	PU	Order number
84L	See page 330	100	9-36560-00-L/R-□

- [1] Item 52H for Euro-groove 7/8 x 4 and Euro-rebate 20 x 8
- [2] Item 52I for Euro-rebate 18 x 8
- [3] Item 54S for Euro-groove 7/8 x 4 and Euro-rebate 20 x 8
- [4] Item 54T for Euro-rebate 18 x 8

General information

- Hinge-side M20/12 with 12 mm clearance, 18 or 20 mm overlap and 9 mm axis
- Stay-bearing includes stay-bearing pin
- For Tilt&Turn: with T&T additional stay (8-00734-00-0-1).
Sash weight < 100 kg: SRW 1301-1600, Sash weight > 100 kg: SRW 1201-1600
- For Tilt-First: with TF additional stay (G-45995-00-0-1).
Sash weight < 100 kg: SRW 1301-1600, Sash weight > 100 kg: SRW 1201-1600