

KLEIS

Gemma

Riccardo Dalisi



Cromo satinato + vetro bianco acidato
Satin chrome + white satin glass
Mat chrome + mat Weißglas
Chrome satinè + verre blanc satinè



Cromo satinato + acquamarina acidata
Satin chrome + satin light blue glass
Mat chrome + mat hellblau glas
Chrome satinè + verre beu clair satinè



Cromo satinato + blu acidato
Satin chrome + sarin dark blue glass
Mat chrome + mat dunkelblau glas
Chrome satinè + verre beu satinè



Cromo satianto + vetro rosa acidato
Satin chrome + pink satin glass
Mat chrome + mat rosa glas
Chrome satinè + verre rose satinè



Cromo satianto + vetro verde acidato
Satin chrome + green satin glass
Mat chrome + mat grün glas
Chrome satinè + verre vert satinè



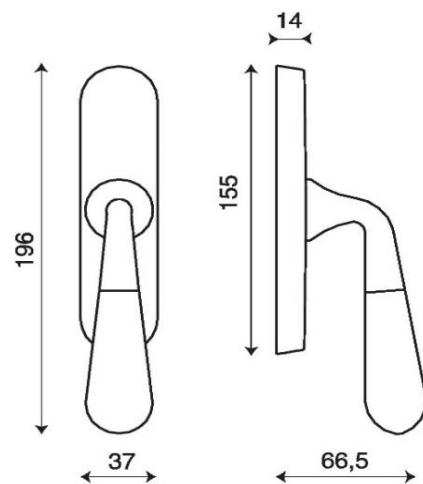
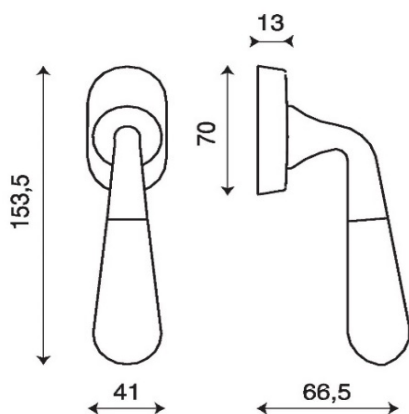
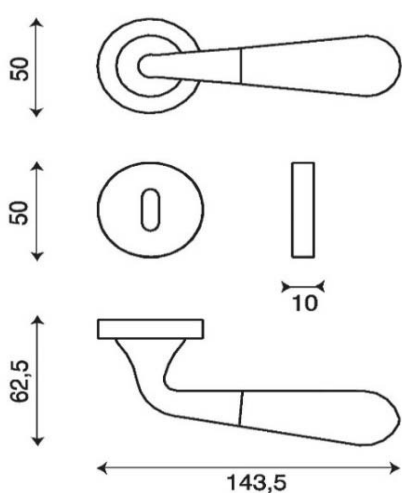
Ottone lucido + vetro blu trasparente
Polished brass + transparent blue glass
Messing poliert + transp.dunkelblau glas
Laiton poli + verre bleu transparent



Ottone lucido + vetro rosa trasparente
Polished brass + transparent pink glass
Messing poliert + transparente rosa glas
Laiton poli + verre rose transparent



Ottone lucido + vetro verde trasparente
Polished brass + transparent green glass
Messing poliert + transparente grün glas
Laiton poli + verre vert transparent



Articolo / Product Model / Article	K002	Catalogo / Catalogue Katalog / Catalogue	Gemma	Materiale / Material Material / Matériel	Ottone - Brass Messing - Laiton	
<p>Set A</p>	<p>Set B</p>	<p>Set C</p>	<p>Set D</p>	<p>Set E</p>	<p>Set F</p>	<p>Set G</p>

Made in Italy