

580

Serratura centrale a Doppia Mappa
2 Mandate
Catenaccio e Scrocco

FINITURA DI SERIE

- Scatola, Coperchio serratura in acciaio zincato
- Catenaccio cromato

DOTAZIONE

- 3 chiavi cifrate Art. 53
- Viti di montaggio
- Ricambio per Art. 583/3, 584/3, 585/3, 590/3, 590/3S

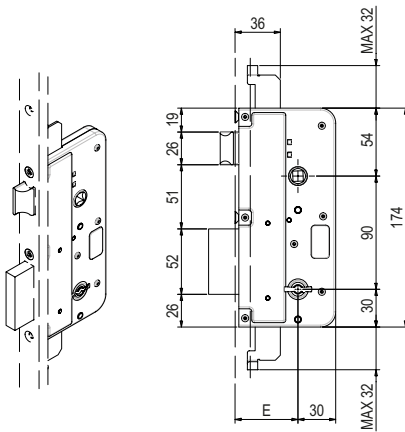
Central lock with Double Bitted keys
2 Turns
Bolt and Latch

STANDARD FINISHINGS

- Lock case in galvanized steel
- Chrome-plated bolt

ACCESSORIES

- 3 coded keys Art. 53
- Fixing screws
- Spare part for Art. 583/3, 584/3, 585/3, 590/3, 590/3S



580

Serratura centrale a Doppia Mappa | 2 Mandate | Catenaccio e Scrocco

Central lock with Double Bitted keys | 2 Turns | Bolt and Latch

Codice Code	Finitura Finishing					
00580 00 45 3C 00	---			45		
00580 00 50 3C 00	---	2	3	90	50	1
00580 00 60 3C 00	---			60		5

R580

Serratura centrale a Doppia Mappa
2 Mandate
Catenaccio e Rullo

FINITURA DI SERIE

- Scatola, Coperchio serratura in acciaio zincato
- Catenaccio cromato

DOTAZIONE

- 3 chiavi cifrate Art. 53
- Viti di montaggio
- A richiesta per Art. 583/3, 584/3, 585/3, 590/3, 590/3S

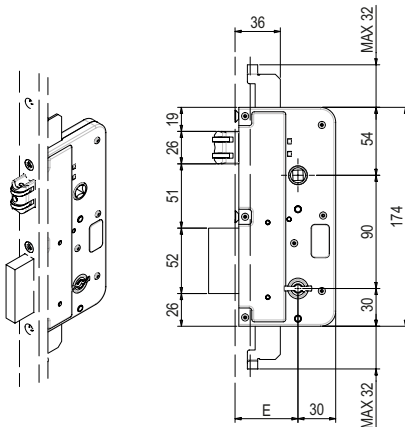
Central lock with Double Bitted keys
2 Turns
Bolt and Roller

STANDARD FINISHINGS

- Lock case in galvanized steel
- Chrome-plated bolt

ACCESSORIES

- 3 coded keys Art. 53
- Fixing screws
- On request for Art. 583/3, 584/3, 585/3, 590/3, 590/3S



R580

Serratura centrale a Doppia Mappa | 2 Mandate | Catenaccio e Rullo

Central lock with Double Bitted keys | 2 Turns | Bolt and Roller

Codice Code	Finitura Finishing					
0R580 00 45 3C 00	---			45		
0R580 00 50 3C 00	---	2	3	90	50	1
0R580 00 60 3C 00	---			60		5