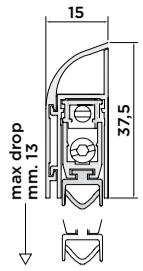
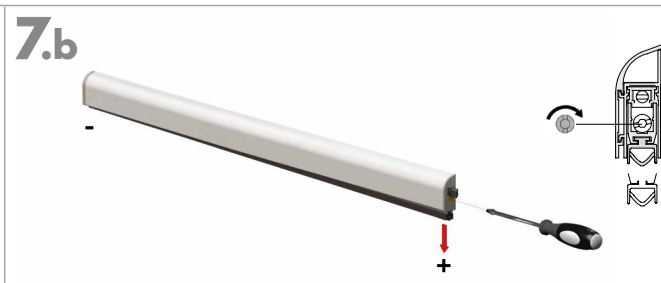
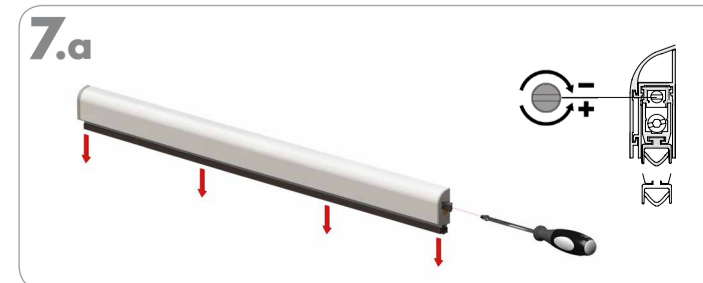
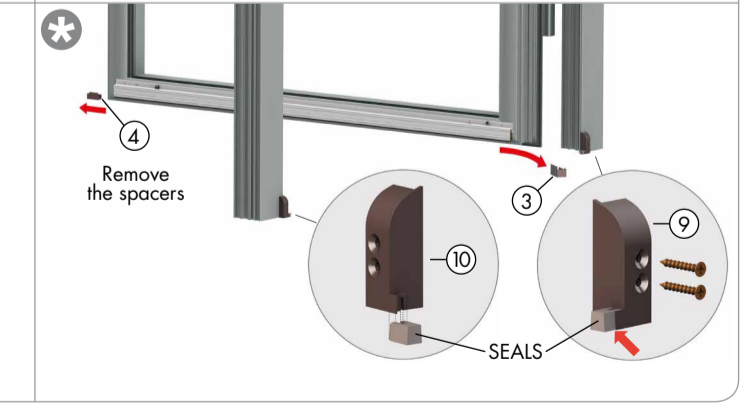
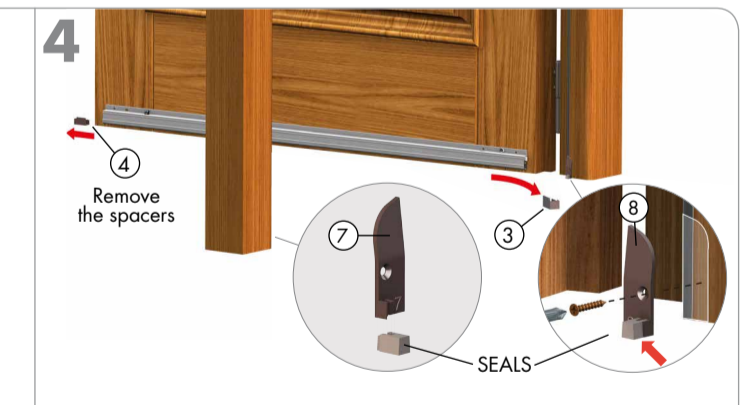
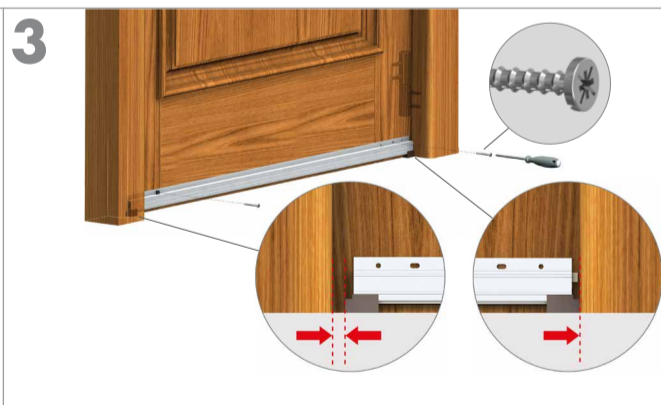
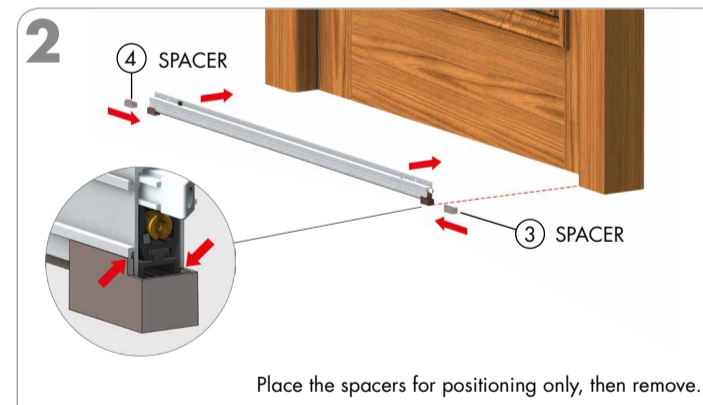
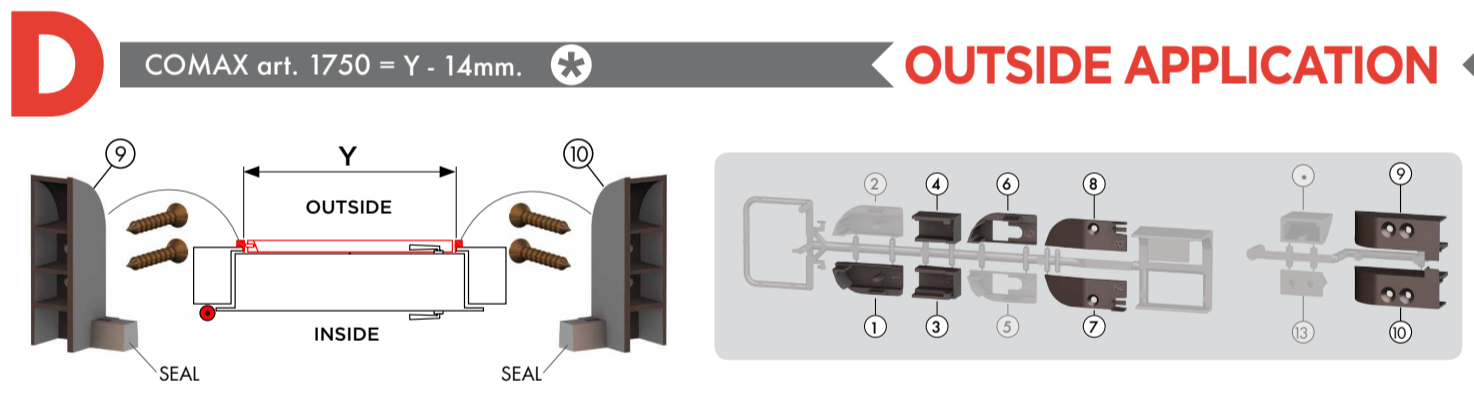
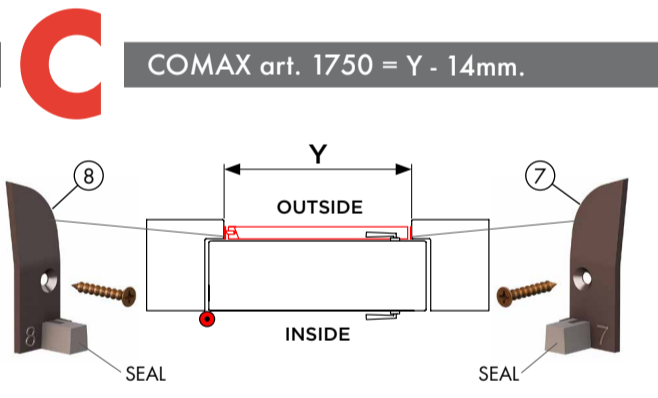
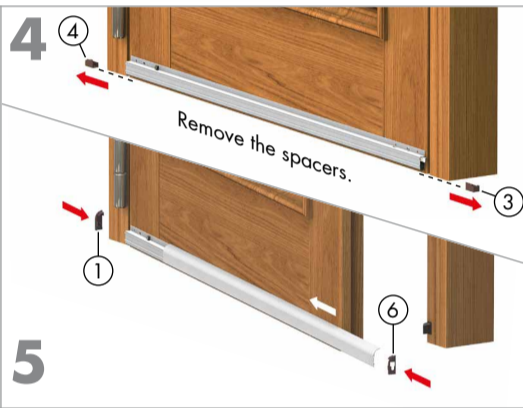
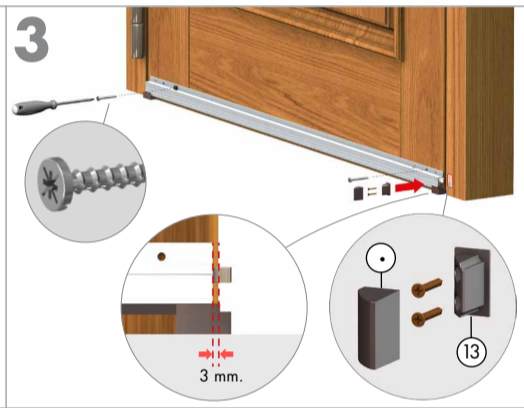
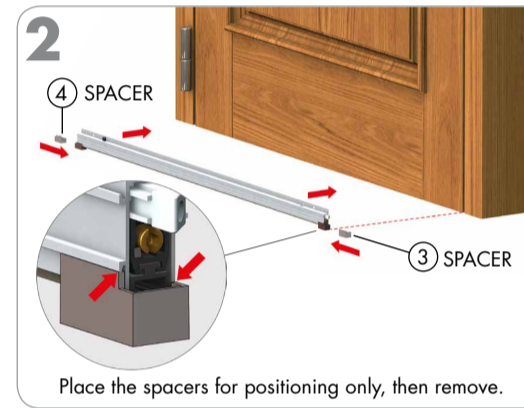
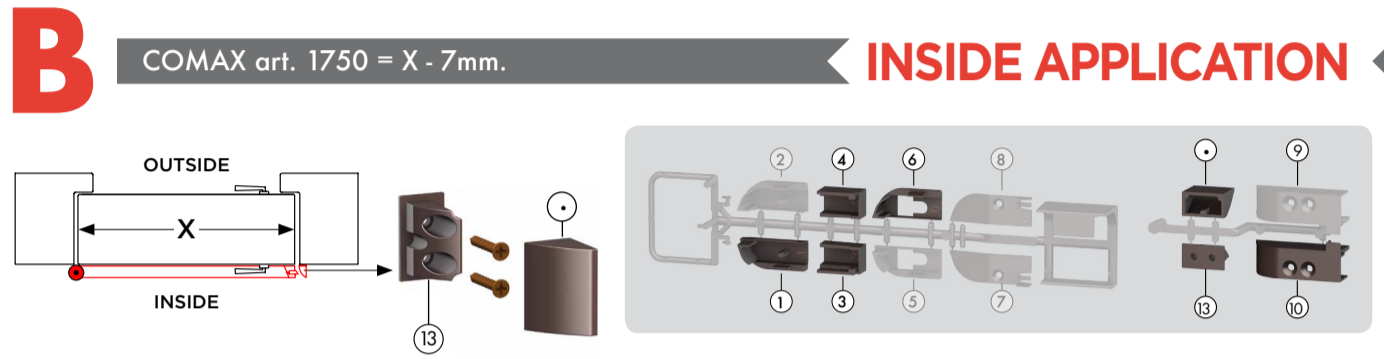
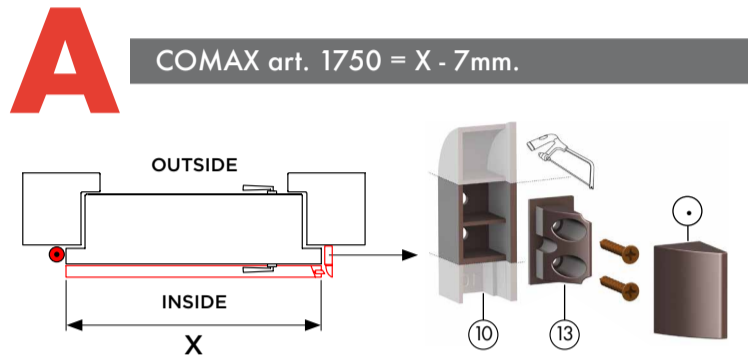
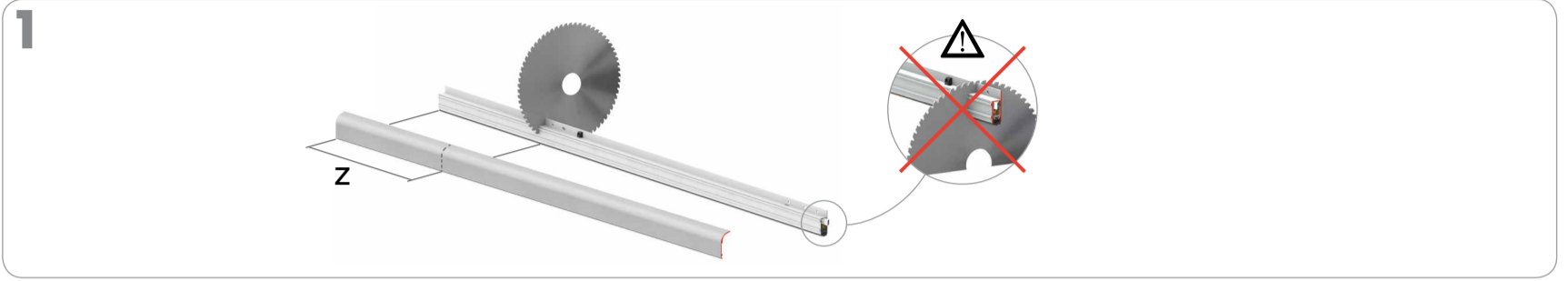
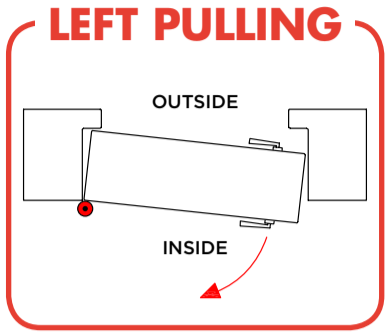
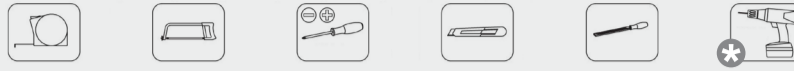


1750

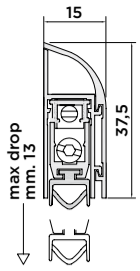


STANDARD SIZE (mm)	430	530	630	730	830	930	1030	1130	1230	1330	1430	1530	1630	1730	1830
max Z (mm)	150	100	100	100	100	100	100	100	100	100	100	100	100	100	100

TOOLS REQUIRED

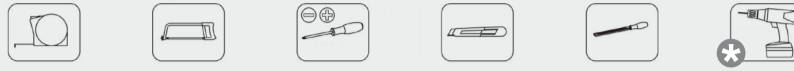


1750



STANDARD SIZE (mm)	430	530	630	730	830	930	1030	1130	1230	1330	1430	1530	1630	1730	1830
max Z (mm)	150	100	100	100	100	100	100	100	100	100	100	100	100	100	100

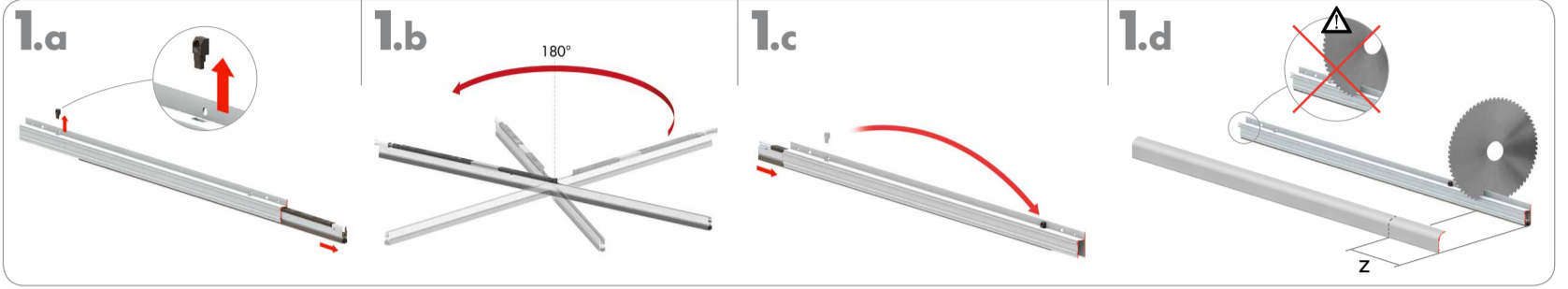
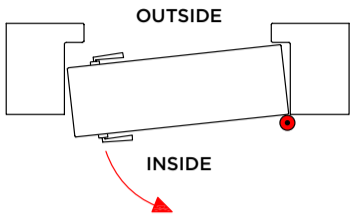
TOOLS REQUIRED



Comaglio

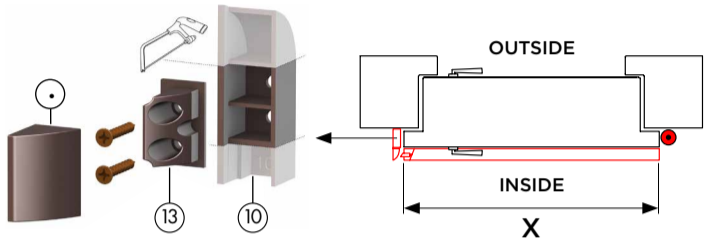
SOTTO LE TUE PORTE NON PASSERÀ NULLA.

RIGHT PULLING



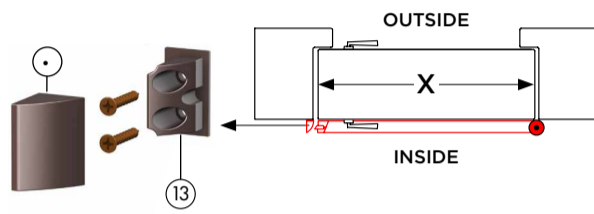
A

COMAX art. 1750 = X - 7mm.

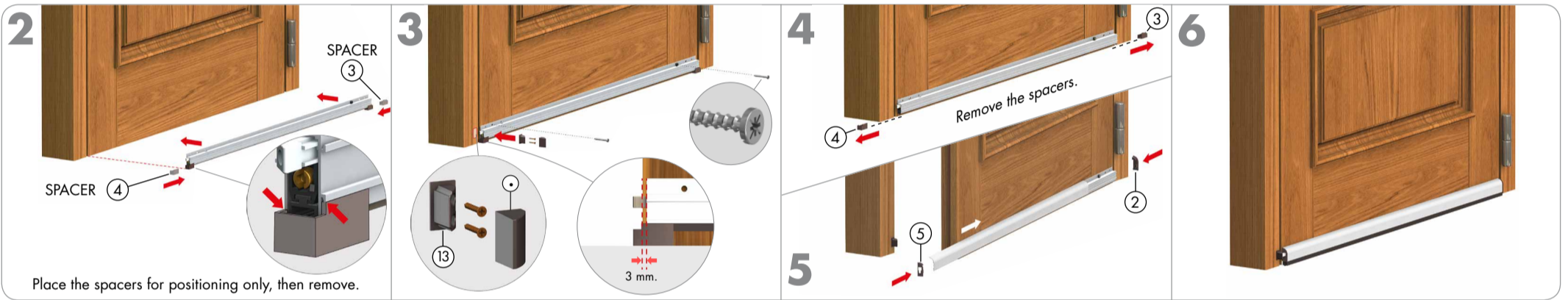
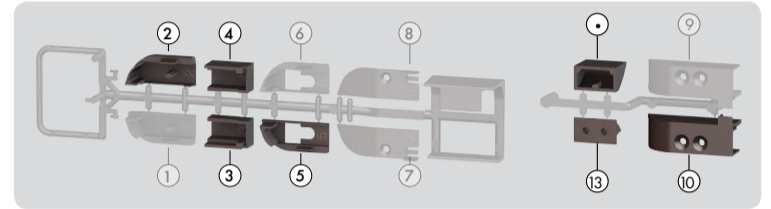


B

COMAX art. 1750 = X - 7mm.

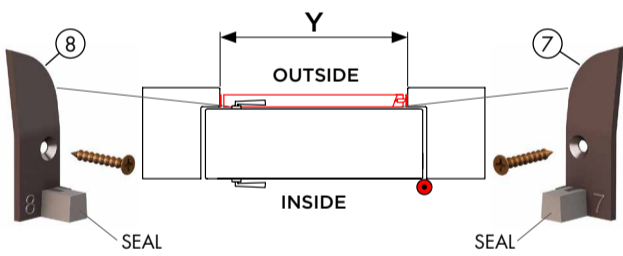


INSIDE APPLICATION



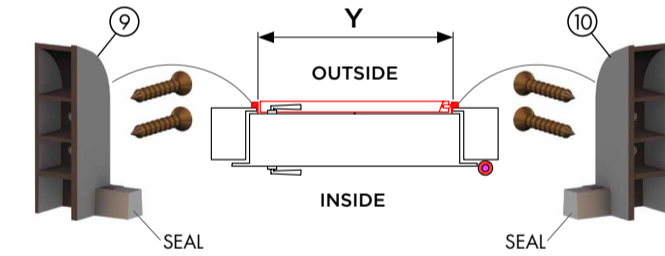
C

COMAX art. 1750 = Y - 14mm.

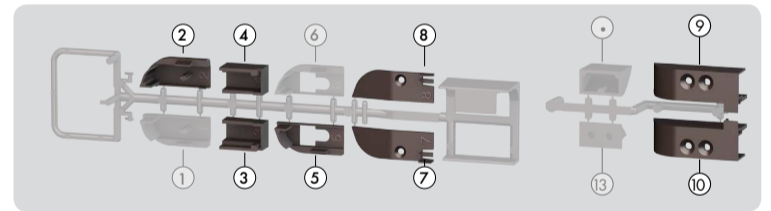


D

COMAX art. 1750 = Y - 14mm. *



OUTSIDE APPLICATION



7.a



7.b



7.c

