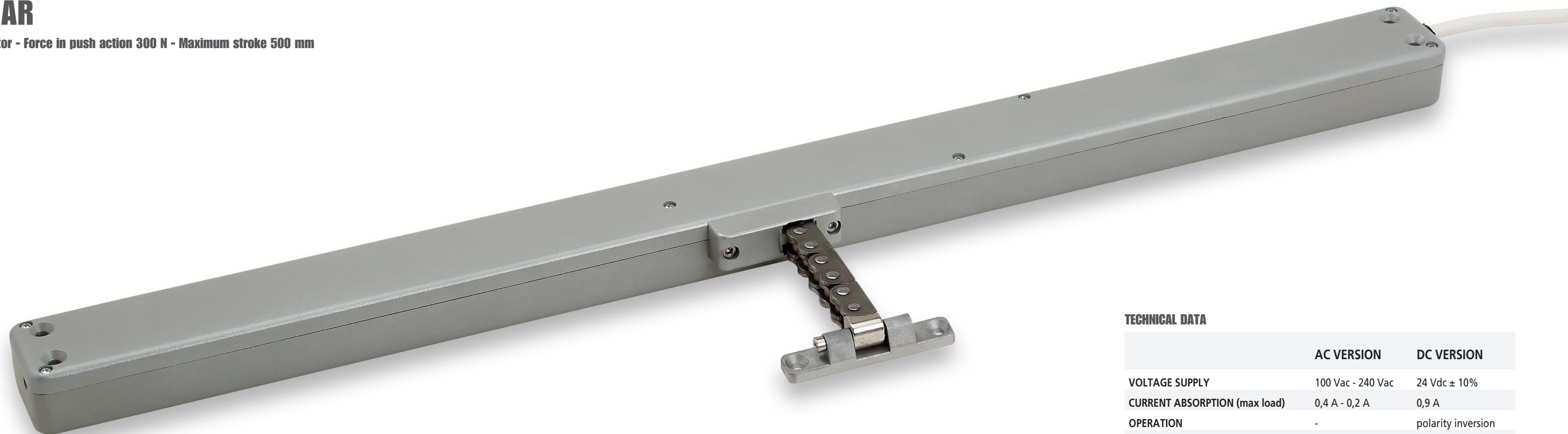


QUASAR

Chain actuator - Force in push action 300 N - Maximum stroke 500 mm



MAIN FEATURES

- High performance in small die-cast aluminum casing (47 x 32 mm), powder painted.
- Chain in double stainless steel links.
- Chain exit in central position.
- Quick and easy installation: the manual closing position regulation is not required. The stop in closing position is regulated by an electronic limit switch control.
- Electronic stop in the intermediate positions in case of overload.

- **SYNCHRO** versions are equipped with an integrated speed synchronization control board for the installation of more than one actuator on the same vent, avoiding any external control panel.

- **AC version:** 1 Synchro Quasar AC + 1 Synchro Quasar DC (max 2 couples), **DC version:** max 4 Synchro Quasar DC.
- **F-SIGNAL** versions provide opening and closing feedback signal (free potential, maintained contact), activated by the current limit.
- Suitable for combined installation with the additional locking device **E-LOCK** or **PLUSULTRA** (see related data sheet).
- **DRAWBRIDGE** version is suitable for installation on bottom hinged windows, opening outwards 90°, for Smoke Ventilation.

OTHER VERSIONS UPON REQUEST:

- **QUASAR DC** version with **IP42** protection class, for a higher resistance against atmospheric agents.

-   Versions for USA and Canada.

INSTALLATION REMARKS

- The installation without brackets is possible for windows with pivoting hinges only if the vent height is at least 1500 mm.
- In case of vents with four-bar hinges, please contact our Technical Dept.
- If installed on PVC windows, the profile has to be reinforced.
- In case of Building Management System control, avoid repetitive commands in the same direction.

For further information contact our Tech. Dept.



24 Vdc version is suitable for installation on **Smoke and Heat Exhaust Ventilators (SHEV)** in conformity to European Standard **EN 12101-2**, tested by Istituto Giordano.



The Quasar BMSline version is fully programmable (stroke, speed, force, ...); different scenarios are selectable with a connection to a computer through dedicated software. See BMSline section.

TECHNICAL DATA

	AC VERSION	DC VERSION
VOLTAGE SUPPLY	100 Vac - 240 Vac	24 Vdc ± 10%
CURRENT ABSORPTION (max load)	0,4 A - 0,2 A	0,9 A
OPERATION	-	polarity inversion
MAX FORCE	300 N	300 N
SPEED	~15 mm/s	~15 mm/s
LOCKING FORCE	3000 N*	3000 N*
DUTY CYCLE	50%	50%
PARALLEL CONNECTION	Yes	Yes
LIMIT STOP	Electronic	Electronic
SAFETY STOP	Electronic	Electronic
PROTECTION CLASS	IP40	IP40

*Installation without brackets

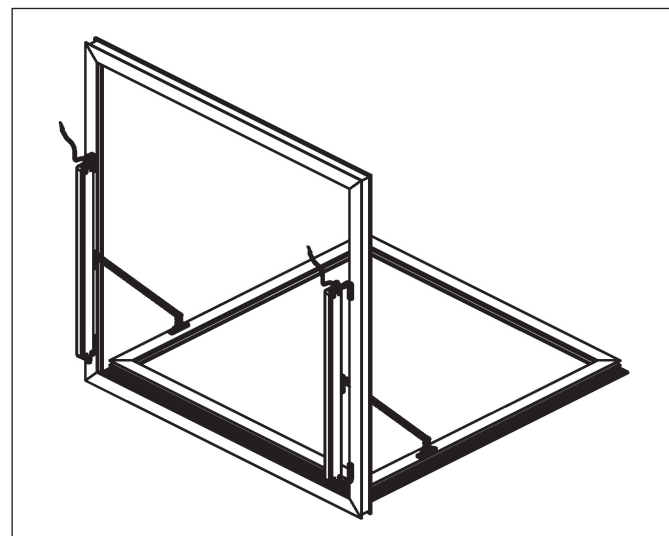
Part No. for AC VERSIONS (100 Vac - 240 Vac)

MODEL	STROKE	SYNCHRO	FEEDBACK	CABLE	COLOUR	PART No.
QUASAR AC	500 mm	-	-	1,5 m 3 wires + earth	GREY RAL 9006	40837Z
					BLACK RAL 9005	40838A
					WHITE RAL 9010	40839B
SYNCHRO QUASAR AC	500 mm	Yes	-	2 x 3 m cables: 3 wires + earth 5 wires	GREY RAL 9006	41316I
					BLACK RAL 9005	41317J
					WHITE RAL 9010	41318K

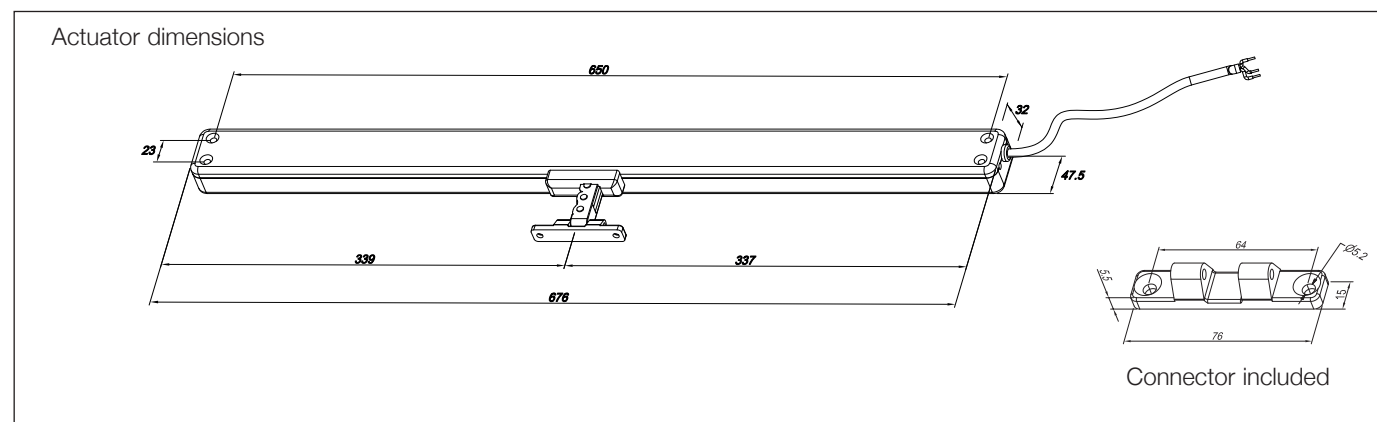
Part No. for DC VERSIONS (24 Vdc ±10%)

MODEL	STROKE	SYNCHRO	FEEDBACK	CABLE	COLOUR	PART No.
QUASAR DC	500 mm	-	-	1,5 m 2 wires	GREY RAL 9006	40840C
					BLACK RAL 9005	40841D
					WHITE RAL 9010	40842E
SYNCHRO QUASAR DC	500 mm	Yes	-	3 m 5 wires	GREY RAL 9006	41119Z
					BLACK RAL 9005	41120A
					WHITE RAL 9010	41121B
QUASAR DC F-SIGNAL	500 mm	-	free potential open/close	1,5 m 5 wires	GREY RAL 9006	41327T
					BLACK RAL 9005	41328U
					WHITE RAL 9010	41329V
SYNCHRO QUASAR DC F-SIGNAL	500 mm	Yes	free potential open/close	2 x 3 m cables: 5 wires 3 wires	GREY RAL 9006	41319L
					BLACK RAL 9005	41320M
					WHITE RAL 9010	41321N
SYNCHRO QUASAR DC DRAWBRIDGE	500 mm	Yes	-	3 m 5 wires	GREY RAL 9006	41928J
					BLACK RAL 9005	41929K
					WHITE RAL 9010	41930L

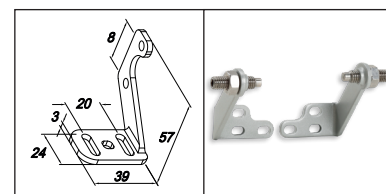
NOTE: brackets not included - to be ordered separately



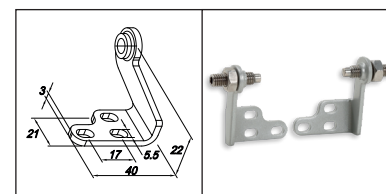
SYNCHRO QUASAR DC DRAWBRIDGE
Installation on bottom hinged window, opening outwards 90°. The actuators are equipped with a special guide for the chain. Contact our Technical Department for the installation limits (size and weight of window) and brackets for actuator installation (depending on type of profile)



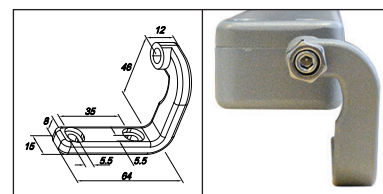
Accessories



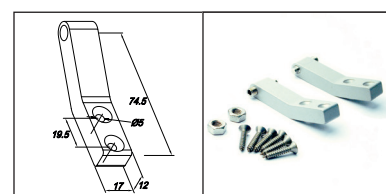
Long slim bracket kit
GREY RAL 9006 part no. 41898F
BLACK RAL 9005 part no. 41899G
WHITE RAL 9010 part no. 41900H



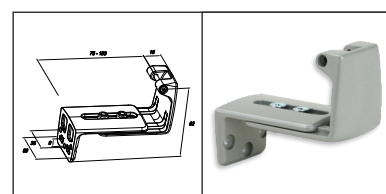
Short slim bracket kit
GREY RAL 9006 part no. 41901I
BLACK RAL 9005 part no. 41902J
WHITE RAL 9010 part no. 41903K



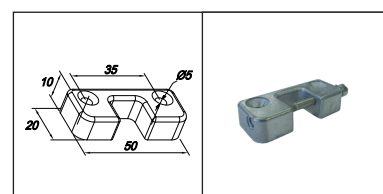
Die-cast bracket kit
GREY RAL 9006 part no. 40843F
BLACK RAL 9005 part no. 40844G
WHITE RAL 9010 part no. 40845H



Long bracket kit
GREY RAL 9006 part no. 40941H
BLACK RAL 9005 part no. 40942I
WHITE RAL 9010 part no. 40943J



Aluminum adjustable "Z" bracket for bottom hinged windows
GREY part no. 41709Z
BLACK part no. 41710A
WHITE part no. 41711B



Flat connector (alternative)
GREY part no. 42085K

Installation examples

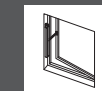
Outward



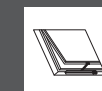
Top hinged windows



Top hinged windows, two Synchro actuators



Side hinged windows



Roof windows



Parallel windows



Drawbridge windows

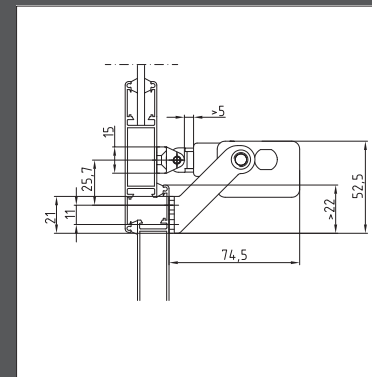
Inward



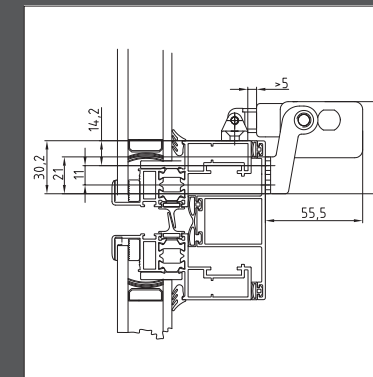
Bottom hinged windows



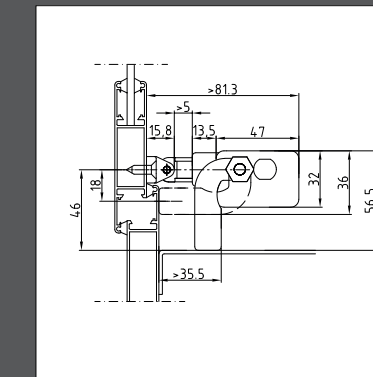
Side hinged windows



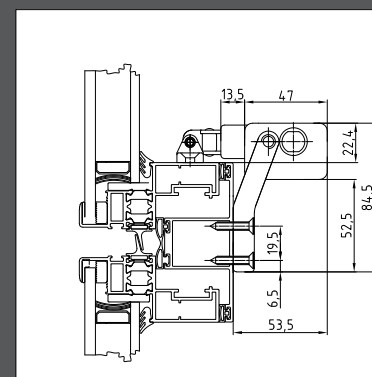
Front installation with long slim bracket



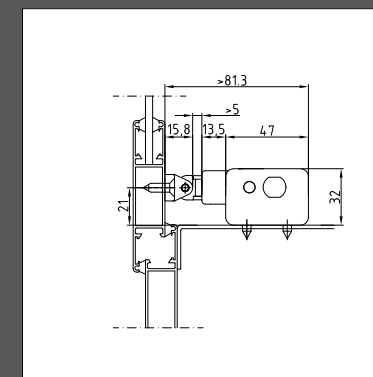
Concealed vent with short slim bracket



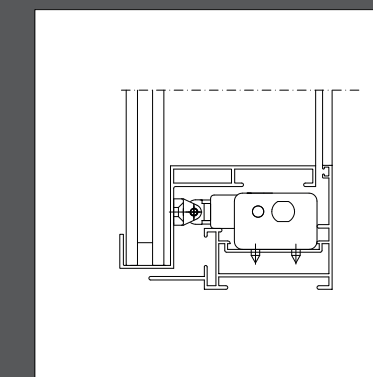
With or without windowsill, with die-cast bracket



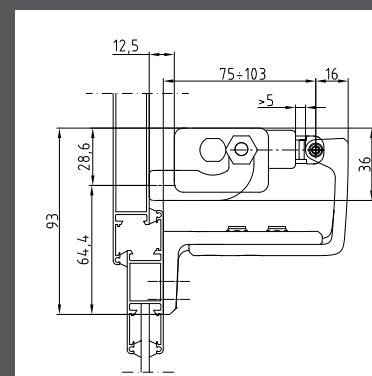
With long bracket kit



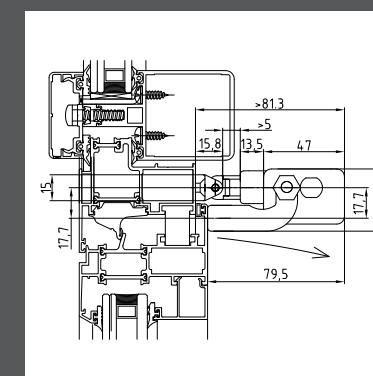
On windows with windowsill



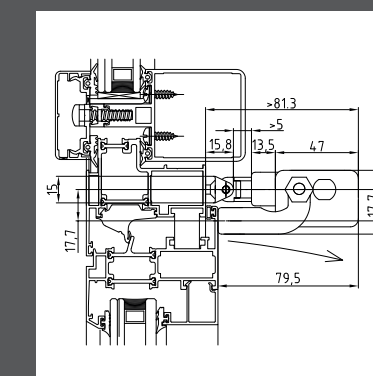
Inside a curtain wall frame



On the frame with adjustable "Z" bracket



On the vent with die-cast bracket



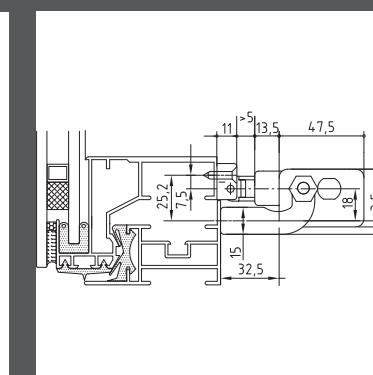
On the vent with long bracket kit

⚠ The instructions for a safe installation are included in the section "SECURITY WARNINGS"

SPECIFICATION PROSPECTS

Electric chain actuator Ultraflex Control Systems named Quasar with chain in double stainless steel links. Voltage supply: from 100 to 240 Vac or 24 Vdc – Electronic limit stop; electronic stop in the intermediate positions in case of overload. Casing in painted die-cast aluminium with very small section (47x32 mm).

Electric chain actuator Ultraflex Control Systems named Synchro-Quasar with chain in double stainless steel links. Suitable for mounting more than one actuators (max 4 actuators) on the same vent: integrated speed synchronization Voltage supply: from 100 to 240 Vac or 24 Vdc – Electronic limit stop; speed control; electronic stop in the intermediate positions in case of overload. Casing in painted die-cast aluminium with very small section (47x32 mm). When "free potential open/close feedback" is required, indicate suffix "F-SIGNAL"



For coplanar vents with flat connectors