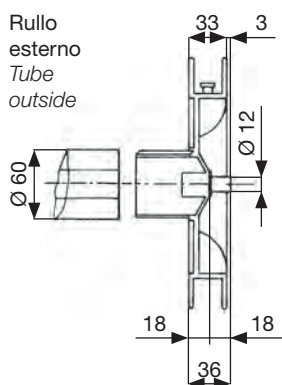
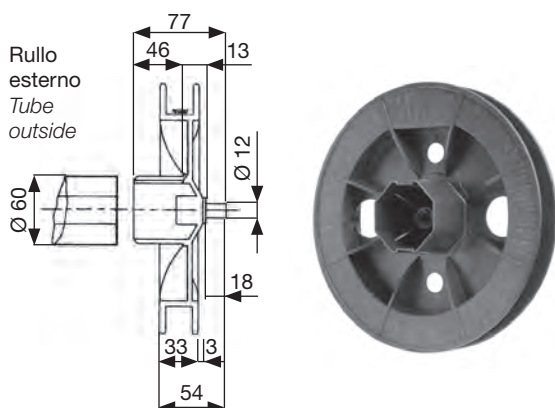
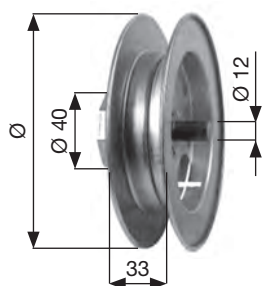
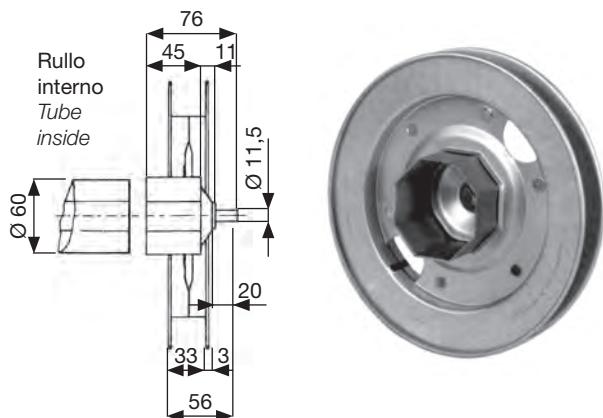


PULEGGE PER RULLO OTTAGONALE

PULLEYS FOR OCTAGONAL ROLLERS



PULEGGIA (in ferro zincato) PULLEY (galvanized iron)		
120.P.16.20	Ø 160 mm	Per rullo Ø 60 mm / for roller Ø 60 mm
120.P.18.20	Ø 180 mm	Per rullo Ø 60 mm / for roller Ø 60 mm
120.P.20.20	Ø 200 mm	Per rullo Ø 60 mm / for roller Ø 60 mm
120.P.22.20	Ø 220 mm	Per rullo Ø 60 mm / for roller Ø 60 mm
120.P.24.20	Ø 240 mm	Per rullo Ø 60 mm / for roller Ø 60 mm
120.P.26.20	Ø 260 mm	Per rullo Ø 60 mm / for roller Ø 60 mm

PULEGGIA PASSANTE (in ferro zincato) SLIDING PULLEY (galvanized iron)		
120.P.P8.20	Ø 180 mm	Per rullo Ø 60 mm / for roller Ø 60 mm
120.P.P0.20	Ø 200 mm	Per rullo Ø 60 mm / for roller Ø 60 mm
120.P.P2.20	Ø 220 mm	Per rullo Ø 60 mm / for roller Ø 60 mm
120.P.P4.20	Ø 240 mm	Per rullo Ø 60 mm / for roller Ø 60 mm
120.P.P6.20	Ø 260 mm	Per rullo Ø 60 mm / for roller Ø 60 mm

MINIPULEGGIA (in ferro zincato) MINI-PULLEY (galvanized iron)		
250.P.14.20	Ø 140 mm	Per rullo Ø 40 mm / for roller Ø 40 mm
250.P.18.20	Ø 180 mm	Per rullo Ø 40 mm / for roller Ø 40 mm
250.P.22.20	Ø 220 mm	Per rullo Ø 40 mm / for roller Ø 40 mm
perno Ø 12 mm / pivot Ø 12 mm		

PULEGGIA INTERNA (in plastica) INNER PULLEY (plastic)		
121.P.18.90	Ø 180 mm	Per rullo Ø 60 mm / for roller Ø 60 mm
121.P.20.90	Ø 200 mm	Per rullo Ø 60 mm / for roller Ø 60 mm
121.P.22.90	Ø 220 mm	Per rullo Ø 60 mm / for roller Ø 60 mm

PULEGGIA con PERNO INCASSATO (in plastica) PULLEY with INNER PIVOT (plastic)		
122.P.18.90	Ø 180 mm	Per rullo Ø 60 mm / for roller Ø 60 mm
122.P.20.90	Ø 200 mm	Per rullo Ø 60 mm / for roller Ø 60 mm
122.P.22.90	Ø 220 mm	Per rullo Ø 60 mm / for roller Ø 60 mm