

SUPPORTI A MURARE – CUSCINETTI A SFERE

WALL SUPPORTS – BALL BEARINGS

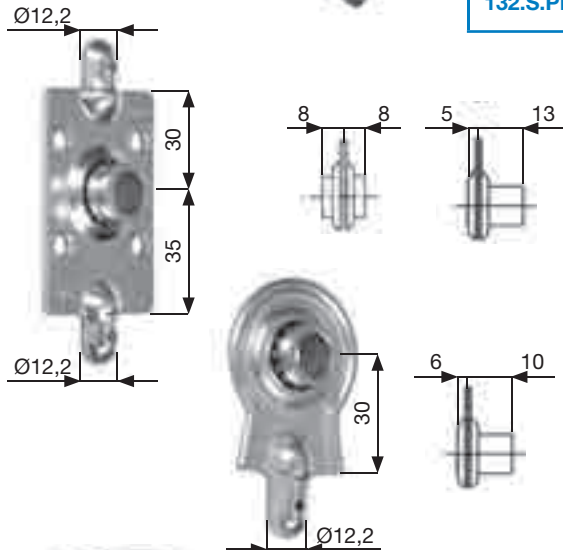


SUPPORTO A MURARE "TE-E" Muratura stampata in ferro+testina a sfere zincata WALL SUPPORT "TE-E" – galvanized ball bearing	
129.S.00.10	boccola 16 mm (8+8) - foro Ø 12,4 mm bush 16 mm (8+8) - hole Ø 12,4 mm
129.S.PR.10	boccola 18 mm (5+13) - foro Ø 12,4 mm bush 18 mm (5+13) - hole Ø 12,4 mm

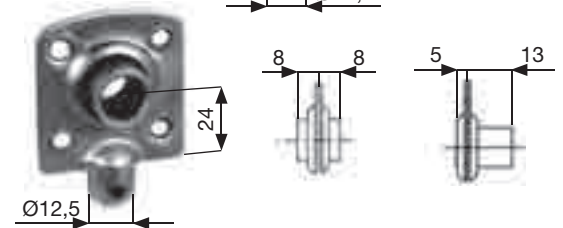
SUPPORTO A MURARE "TE" Muratura in ferro piatto mm 25x5+testina a sfere zincata WALL SUPPORT "TE" – galvanized ball bearing	
130.S.00.10	boccola 16 mm (8+8)-foro Ø 12,4 mm bush 16 mm (8+8)- hole Ø 12,4 mm
130.S.PR.10	boccola 18 mm (5+13)-foro Ø 12,4 mm bush 18 mm (5+13)- hole Ø 12,4 mm



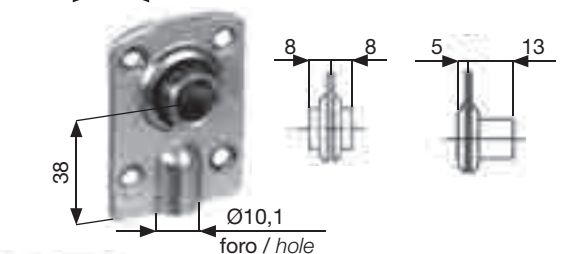
SUPPORTO A MURARE "TN" Muratura in ferro piatto mm 25x5 – perno Ø 10 mm testina a sfere zincata estraibile WALL SUPPORT "TN" – pivot Ø 10 mm Removable galvanized ball bearing	
132.S.00.10	boccola 16 mm (8+8) – foro Ø 12,4 mm bush 16 mm (8+8)- hole Ø 12,4 mm
132.S.PR.10	boccola 18 mm (5+13) – foro Ø 12,4 mm bush 18 mm (5+13) - hole Ø 12,4 mm



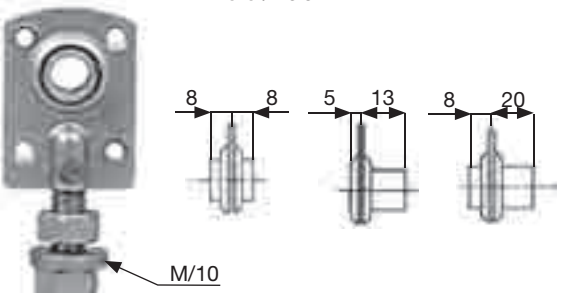
TESTINA A SFERE "DUAL" Doppia scelta altezza: 30 o 35 mm BALL BEARING "DUAL" – double size: 30 or 35 mm	
128.T.DS.20	boccola 16 mm (8+8) – foro Ø 12,4 mm bush 16 mm (8+8) - hole Ø 12,4 mm
128.T.DU.20	boccola 18 mm (5+13) – foro Ø 12,4 mm bush 18 mm (5+13) - hole Ø 12,4 mm



TESTINA A SFERE "TE-EZ" – h : 30 mm BALL BEARING "TE-EZ" – h : 30 mm	
128.T.30.20	boccola 16 mm (6+10) – foro Ø 12,4 mm bush 16 mm (6+10) - hole Ø 12,4 mm



TESTINA A SFERE "TE-Z" – h : 24 mm BALL BEARING "TE-Z" – h : 24 mm	
130.T.00.20	boccola 16 mm (8+8) - foro Ø 12,4 mm bush 16 mm (8+8) - hole Ø 12,4 mm
130.T.PR.20	boccola 18 mm (5+13) – foro Ø 12,4 mm bush 18 mm (5+13) - hole Ø 12,4 mm



TESTINA A SFERE "TN" estraibile Removable BALL BEARING "TN"	
132.T.00.20	boccola 16 mm (8+8) – foro Ø 12,4 mm bush 16 mm (8+8) - hole Ø 12,4 mm
132.T.PR.20	boccola 18 mm (5+13) – foro Ø 12,4 mm bush 18 mm (5+13) - hole Ø 12,4 mm

TESTINA A SFERE "TN" registrabile con vite Adjustable BALL BEARING "TN" with screw	
132.T.RF.20	boccola 16 mm (8+8) – foro Ø 12,4 mm bush 16 mm (8+8) - hole Ø 12,4 mm
132.T.RP.20	boccola 18 mm (5+13) – foro Ø 12,4 mm bush 18 mm (5+13) - hole Ø 12,4 mm
132.T.RS.20	boccola 28 mm (8+20) – foro Ø 12,4 mm bush 28 mm (8+20) - hole Ø 12,4 mm