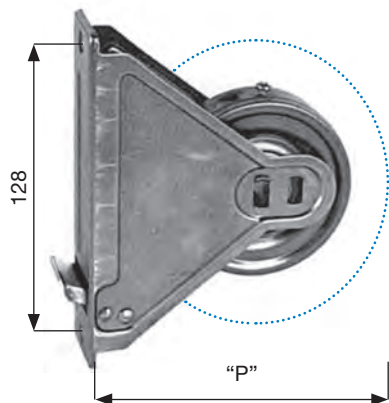


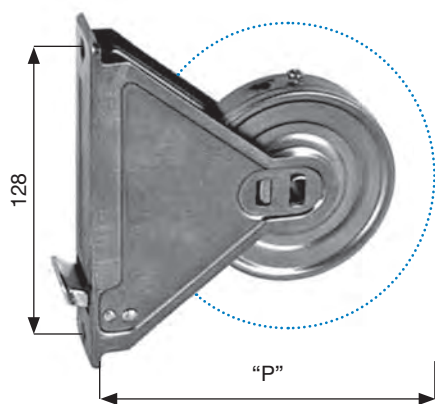
AVVOLGITORI E PLACCHE SERIE "MIGNON"

"MIGNON" STRAP COILERS, COVERING PLATES

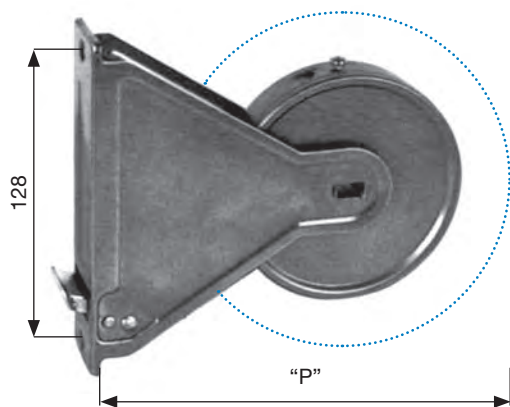
Interasse fori di fissaggio 128 mm
Centre distance 128 mm



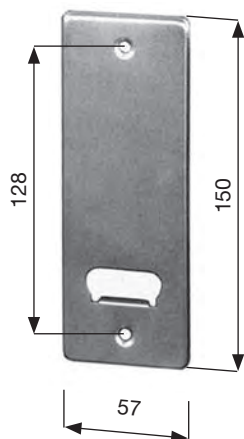
AVVOLGITORE I = 128 mm STRAP COILER	
101.A.04.20	TF mt.4 /128 P = 143 mm
101.A.P5.20	TF-P mt.5/128 minimo ingombro - smaller dept P= mm 143 (cintino spessore max mm 1,7 - max thickness strap 1,7 mm)



AVVOLGITORE I = 128 mm STRAP COILER	
101.A.05.20	TF-S mt.5/128 P = 160 mm
101.A.06.20	TS mt.6/128 P = 165 mm
101.A.P9.20	TR-P mt.10/128 minimo ingombro - smaller dept P= mm 165 (cintino spessore max mm 1,5 - max thickness strap 1,5 mm)



AVVOLGITORE I = 128 mm STRAP COILER	
101.A.12.20	TR-M mt.12/128 P = 210 mm (cintino spessore max mm 1,8 - max thickness strap 1,8 mm)



PLACCA I = 128 mm COVERING PLATE		
101.P.00.30	inox/128	stainless steel
101.P.00.71	all.anod.argento/128	alu. silver anod.
101.P.00.74	all.vern.marrone chiaro/128	alu. bronze painted
101.P.00.77	all.vern.bianco/128	alu. white painted
101.P.00.78	all.vern.nero/128	alu. black painted
101.P.00.79	all.vern.oro/128	alu. gold painted
101.P.00.93	plast.satin.bianca/128	white plastic