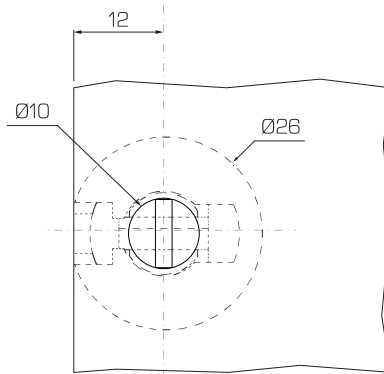
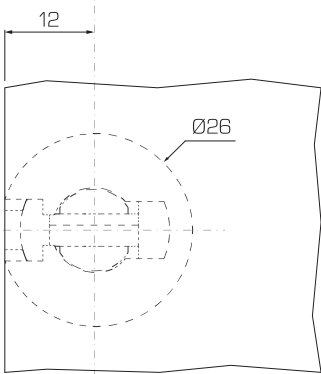
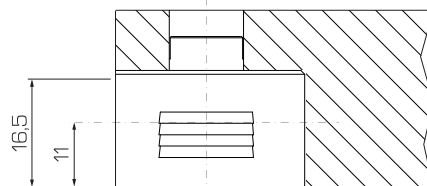
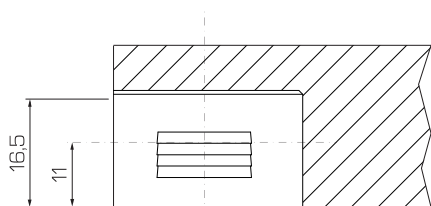


Foratura ripiano Combi senza bordo
Shelf's drilling Combi without collar



H	x	Cod.
10	15,5	COMXX1100 - COBXX1100

H	x	Cod.
10	15,5	COMRX1100 - COBRX1100

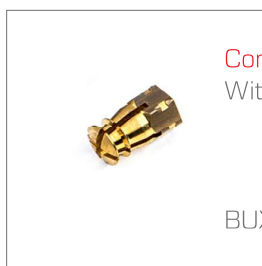
Finiture
Finishings

01 | Bianco
White

02 | Nero
Black

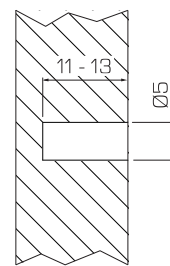
*esempio/example: COMRXB110001

Foratura perni spalla
Side panel's pins drilling



Con pastiglia
With pad

BUXPO4100



Perno filetto M4x7
Thread forming pin M4x7

COPMT040731