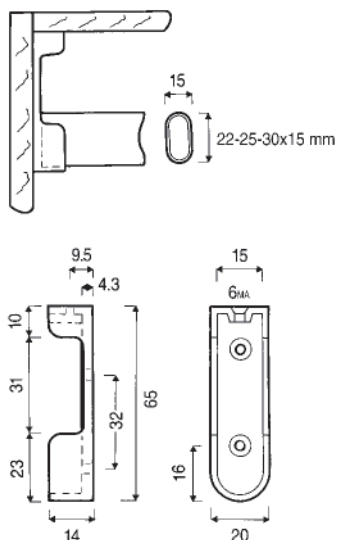




ART. M718

Reggitubo per tubo ovale
 Closet tube support for oval tube
 Soutien tube pour tube oval
 Rohrlager fuer ovale Rohre



FISSAGGIO - FIXING - FIXAGE - FIXIERUNG

2 Fori Ø 4 mm. e vite 6MA
 2 Screwhole Ø 4 mm. 6MA screw
 2 Trous Ø 4 mm. vis 6MA
 2 Loseherm zu je Ø 4 mm. Gewindebohrung 6MA

MATERIALE - MATERIAL - MATIÈRE - MATERIAL

Zama - Zamak - Zamac - Zamak

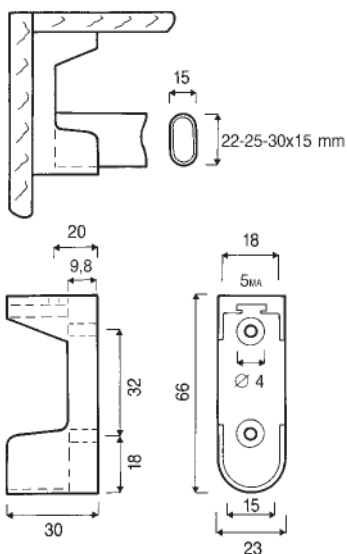
FINITURE - FINISHES - EXÉCUTIONS - AUSFUEHRUNGEN

Nichelato - Ottonato - Verniciato epossidico - Cromato
 Nickel plated - Brass plated - Epoxy coated - Chromed
 Fer nickélé - Laitonné - Verni epoxy - Chrome
 Vernickelt - Vermessingt - Epoxydlackiert - Verchromt



ART. M719

Reggitubo per tubo ovale - Altamente resistente
 Closet tube support for oval tube - Extra strong
 Soutien tube pour tube oval - Haute resistance
 Rohrlager fuer ovale Rohre - Sehr widerstandsfaehiges



FISSAGGIO - FIXING - FIXAGE - FIXIERUNG

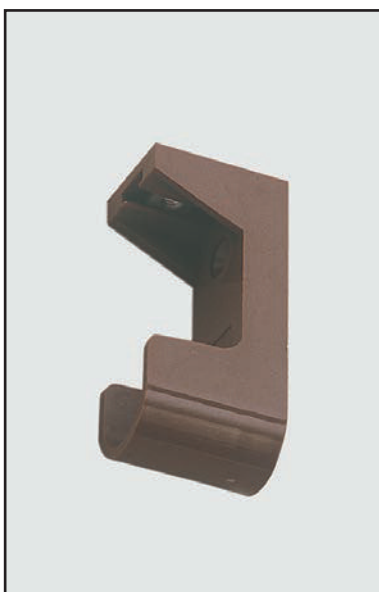
2 Fori Ø 4 mm. e vite 5MA
 2 Screwhole Ø 4 mm. 5MA screw
 2 Trous Ø 4 mm. vis 5MA
 2 Loseherm zu je Ø 4 mm. Gewindebohrung 5MA

MATERIALE - MATERIAL - MATIÈRE - MATERIAL

Nylon - Nylon - Nylon - Nylon

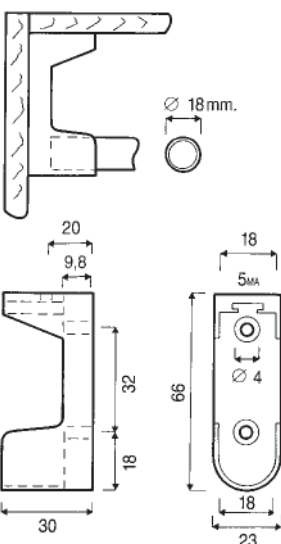
FINITURE - FINISHES - EXÉCUTIONS - AUSFUEHRUNGEN

Bianco - Nero - Marrone
 White - Black - Brown
 Blanc - Noir - Marron
 Weiss - Schwarz - Braun



ART. M720

Reggitubo per tubo rotondo Ø 18 mm. - Altamente resistente
 Closet tube support for round tube Ø 18 mm. - Extra strong
 Soutien tube pour tube rond Ø 18 mm. - Haute resistance
 Rohrlager fuer runde Rohre mit einem Durdimessesser von Ø 18 -
 Sehr widerstandsfaehiges



FISSAGGIO - FIXING - FIXAGE - FIXIERUNG

2 Fori Ø 4 mm. e vite 5MA
 2 Screwhole Ø 4 mm. 5MA screw
 2 Trous Ø 4 mm. vis 5MA
 2 Loseherm zu je Ø 4 mm. Gewindebohrung 5MA

MATERIALE - MATERIAL - MATIÈRE - MATERIAL

Nylon - Nylon - Nylon - Nylon

FINITURE - FINISHES - EXÉCUTIONS - AUSFUEHRUNGEN

Bianco - Nero - Marrone
 White - Black - Brown
 Blanc - Noir - Marron
 Weiss - Schwarz - Braun