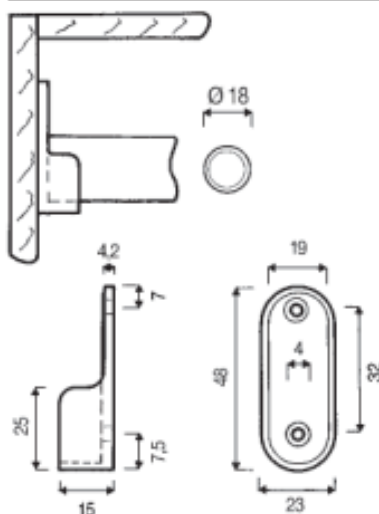




ART. M700



Reggitubo per tubo rotondo Ø 18 mm.
Closet tube support for round tube Ø 18 mm.
Soutien tube pour tube rond Ø 18 mm.
Rohrlager für runde Rohre mit einem Durdimessesser von Ø 18 mm.

FISSAGGIO - FIXING - FIXAGE - FIXIERUNG

2 Fori Ø 4 mm.
2 Screwhole Ø 4 mm.
2 Trous Ø 4 mm.
2 Loechern zu je Ø 4 mm.

MATERIALE - MATERIAL - MATIÈRE - MATERIAL

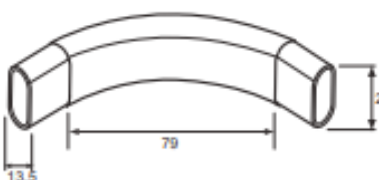
Zama - Zamak - Zamac - Zamak

FINITURE - FINISHES - EXÉCUTIONS - AUSFUEHRUNGEN

Nichelato - Ottonato - Verniciato epossidico
Nickel plated - Brass plated - Epoxy coated
Fer nichélé - Laitonné - Verni epoxy
Vernickelt - Vermessingt - Epoxydlackiert



ART. M701



Curva 90° per tubo ovale 30x15 mm.
Curve 90° for oval tube 30x15 mm.
Curve 90° pour tube oval 30x15 mm.
Kurve 90° fuer ovale Rohre 30x15 mm.

MATERIALE - MATERIAL - MATIÈRE - MATERIAL

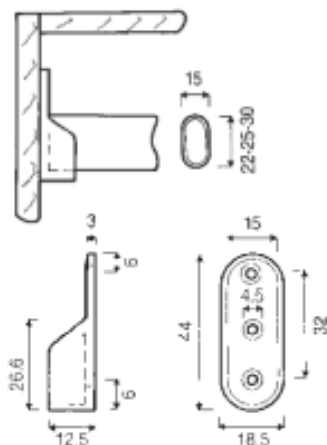
Zama - Zamak - Zamac - Zamak

FINITURE - FINISHES - EXÉCUTIONS - AUSFUEHRUNGEN

Cromato - Ottonato - Verniciato epossidico
Chrome plated - Brass plated - Epoxy coated
Chrome - Laitonné - Verni epoxy
Verchromt - Vermessingt - Epoxydlackiert



ART. M716



Reggitubo per tubo ovale
Closet tube support for oval tube
Soutien tube pour tube oval
Rohrlager fuer ovale Rohre

FISSAGGIO - FIXING - FIXAGE - FIXIERUNG

3 fori Ø 4,5 mm.
3 Screwhole Ø 4,5 mm.
3 Trous Ø 4,5 mm.
3 Loechern zu je Ø 4,5 mm.

MATERIALE - MATERIAL - MATIÈRE - MATERIAL

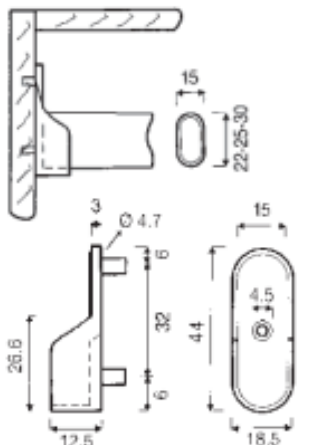
Zama - Zamak - Zamac - Zamak

FINITURE - FINISHES - EXÉCUTIONS - AUSFUEHRUNGEN

Nichelato - Ottonato - Verniciato epossidico - Cromato
Nickel plated - Brass plated - Epoxy coated - Chromed
Fer nickélé - Laitonné - Verni epoxy - Chrome
Vernickelt - Vermessingt - Epoxydlackiert - Verchromt



ART. M717



Reggitubo per tubo ovale
Closet tube support for oval tube
Soutien tube pour tube oval
Rohrlager fuer ovale Rohre

FISSAGGIO - FIXING - FIXAGE - FIXIERUNG

2 Perni Ø 4,7 mm.+1 foro Ø 4,5 mm.
2 Pins Ø 4,7 mm.+1 hole Ø 4,5 mm.
2 Chevilles Ø 4,7 mm.+1 trous Ø 4,5 mm.
2 Zapfen zu je Ø 4,7 mm.+1 Rosh Ø 4,5 mm.

MATERIALE - MATERIAL - MATIÈRE - MATERIAL

Zama - Zamak - Zamac - Zamak

FINITURE - FINISHES - EXÉCUTIONS - AUSFUEHRUNGEN

Nichelato - Ottonato - Verniciato epossidico
Nickel plated - Brass plated - Epoxy coated
Fer nickélé - Laitonné - Verni epoxy
Vernickelt - Vermessingt - Epoxydlackiert