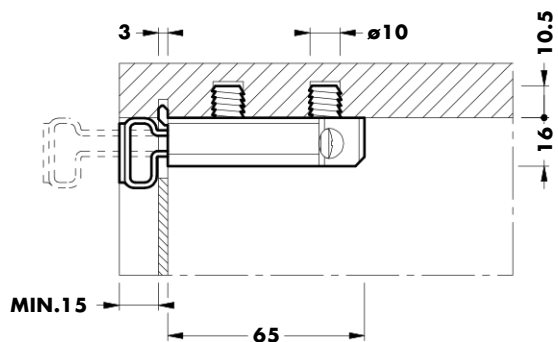
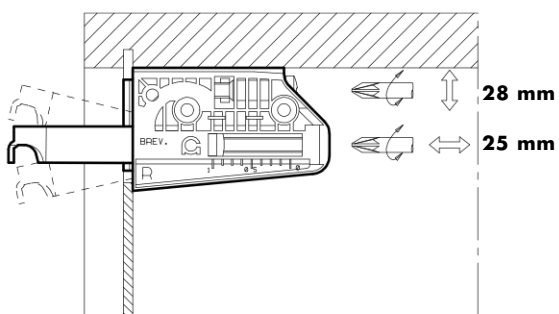
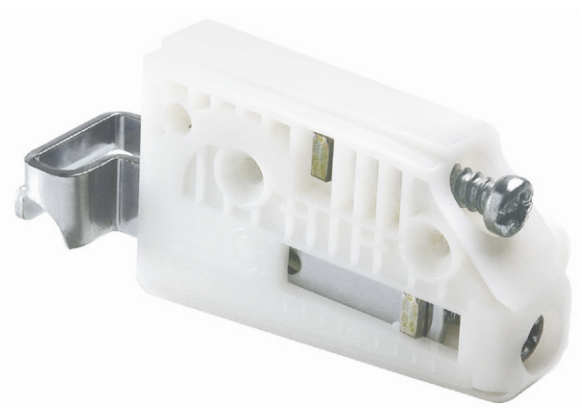


806 22 P2 IN



www.camar.it/warning



890 AC 00 60 LS 569
 890 AC 01 00 LS 570
 890 AC 01 20 LS 571
 890 AC 01 40 LS 571

