

801 22 Z1 IN



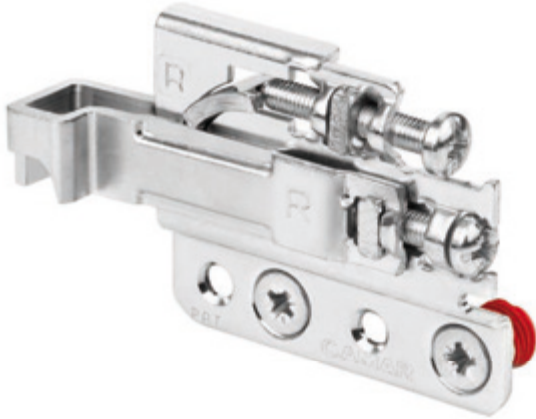
DX
SX



			590-591 www.camar.it/warning
--	--	--	---

19 mm	22 mm		Fe
-------	-------	--	----

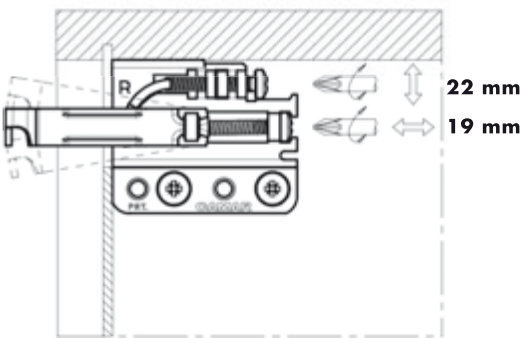
200 6000 1200



9 **807 00 AL MA 00** 528

9 **873** 559 **874** 559 **875** 560-562

890 AC 00 60 LS 569
890 AC 01 00 LS 570
890 AC 01 20 LS 571
890 AC 01 40 LS 571



9 **801** 526

