

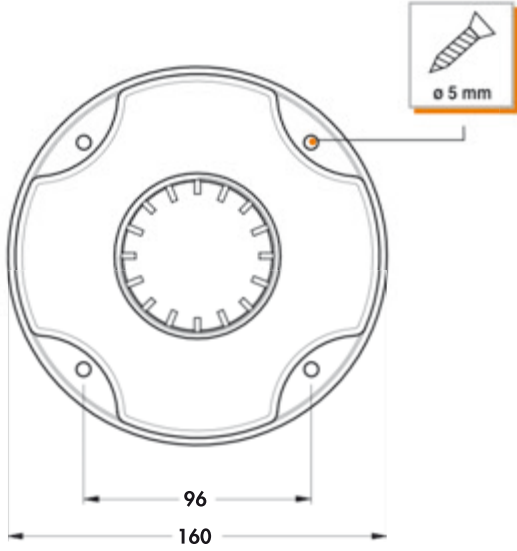
Ø80mm

+235mm
-15mm



A0 - C1 - IX - NS - ST - TG - 01 - 02
13 - 15 - 19 - 64 - 71 - 77

351



624 70 □ 00 00

Hcm

