

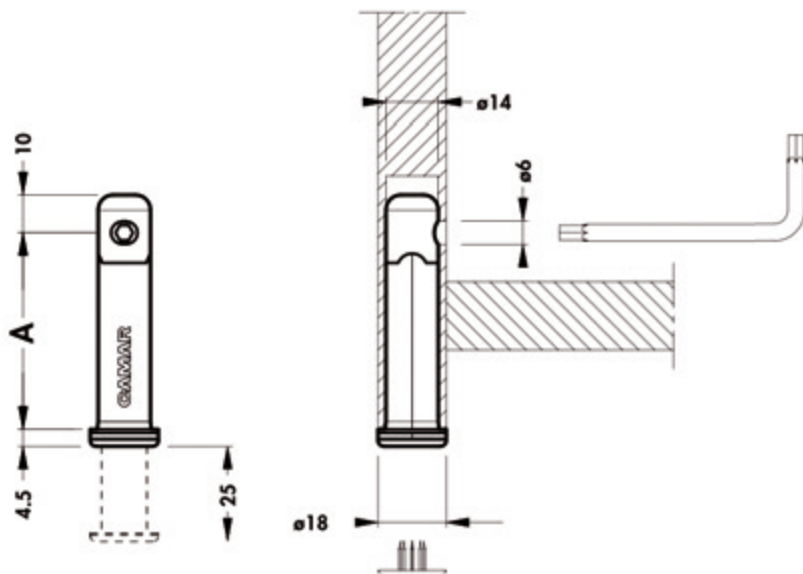
306 □ □ Z0 14 □ □

New	02 = 25 ▲	P0	
	02 = 25 ■	00	
	05 = 52	00	
	07 = 70	00	
	12 = 120	00	
	14 = 140 *	00	
	Amm		



Amm 25=	+10mm 0mm	Amm 52-140=	+25mm 0mm	Ø14mm
		300 Kg	150 Kg	ZAMAK
Amm 52-140=	LGA			

	100		4800		800
▲	200		9600		
*	50				



9			809		536-537
9			810 00 02 20 25		539
			Amm 25		
9			810 18 02 00 00		545
9			810 20 02 00 00		546
			Amm 52 - 140		
9			306 00 AL MA 00		517