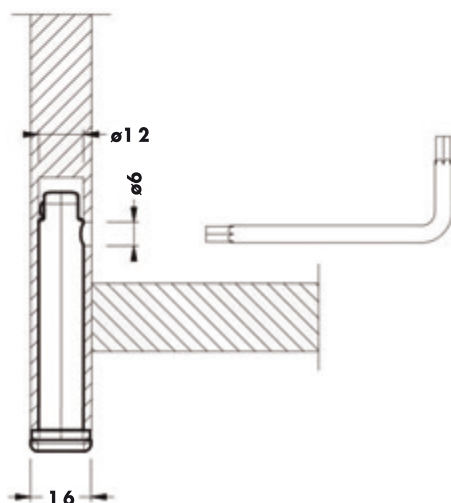
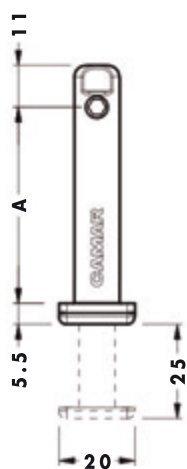


# 306 □ Z0 12 02

- 02 = 25 \*
  - 03 = 32 \*
  - 04 = 44
  - 05 = 52
  - 07 = 70
  - 10 = 100
  - 12 = 120
- Amm**



Amm 25=	+10mm 0mm	Amm 32=	+18mm 0mm	Amm 44-120=	+25mm 0mm
Ø12mm		4	300 Kg	150 Kg	
ZAMAK	PP	LGA			
100	4800	800			
*  200					



9		4	809
			536-537

9		306 02 AL MA 00	517
---	--	-----------------	-----