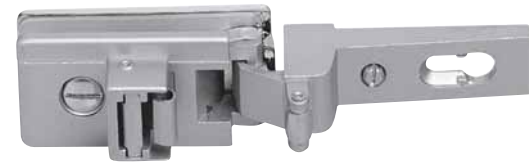


CF01025 CF01024

cerniera per ante in vetro
con chiusura a scatto
snap closing hinge
for glass doors



CF01025



CF01024

materiale
cerniera in metallo
pressofuso
perni, rullino, molla
e grani in acciaio
guarnizioni in politene

finiture
cerniera: argento
piastrina esterna:
bronzo
cromo lucido
dorato
nichel satinato
oro satinato

materials
die-cast metal hinge
pins, cylinder, spring
and dowels made from steel
polythene seals

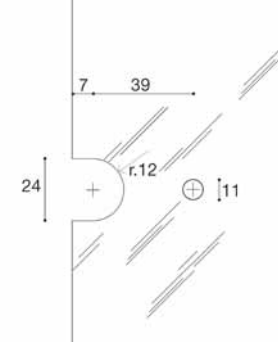
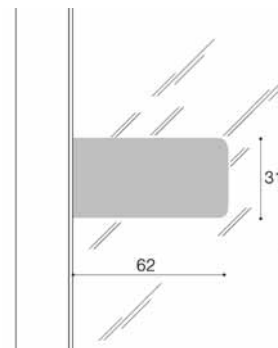
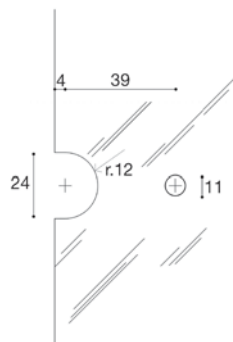
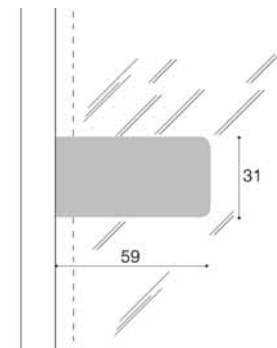
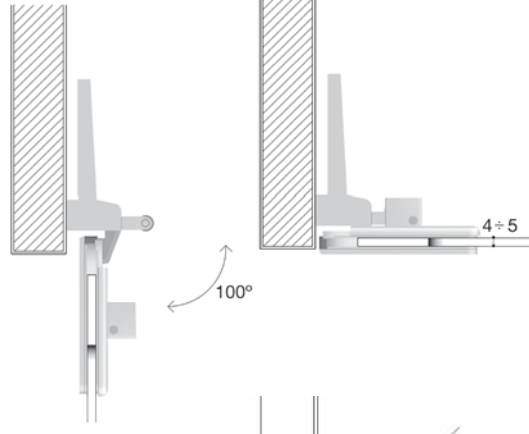
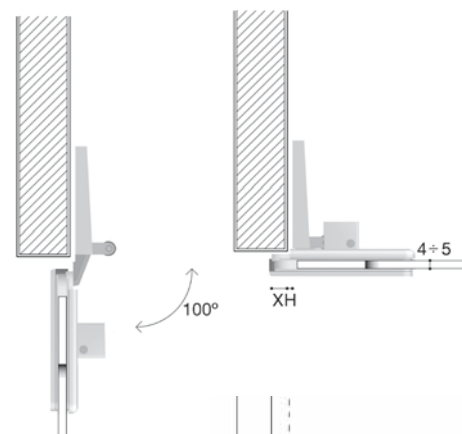
finishes
hinge: silver
external plate:
bronze
polished chrome
gold
satin-finish nickel
satin-finish gold

note
Gli articoli CF01024
e CF01025 possono essere
assemblati con le basette
AH e BH regolabile.
CF01024: spessore min.
basetta: 2 mm

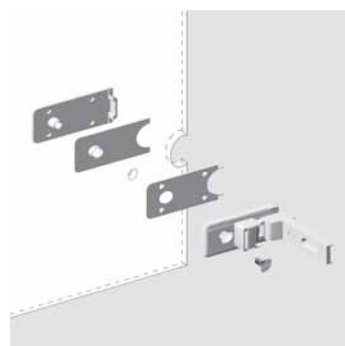
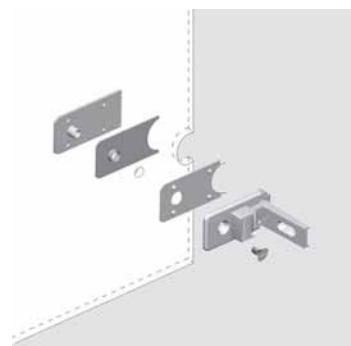
vedi pag. 49

notes
Articles CF01024
and CF01025 can be fitted
with the anchor plates
AH and adjustable BH.
CF01024: anchor plate
min. thickness: 2 mm

see page 49



- H 0 - X 8
- H 1 - X 7
- H 2 - X 6
- H 3 - X 5
- H 4 - X 4
- H 5 - X 3
- H 8 - X 0



CF0305P

cerniera a perno
per ante in vetro
pin hinge for glass doors



CF0305P / A0
CF0305P / G



CF0305P / B0

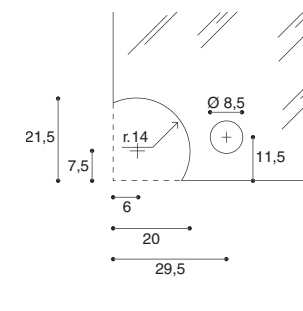
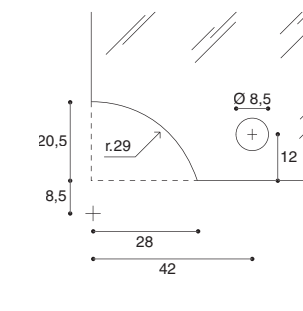
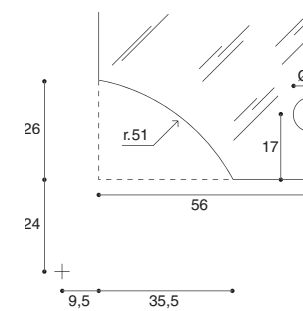
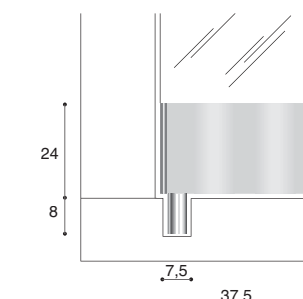
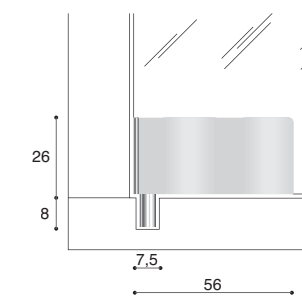
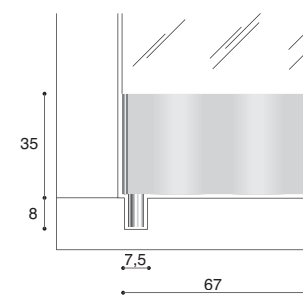
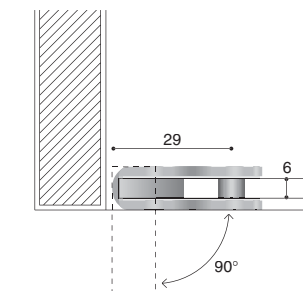
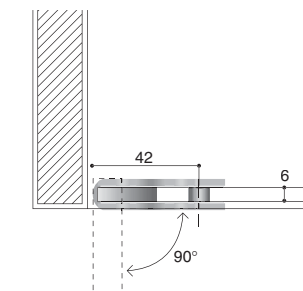
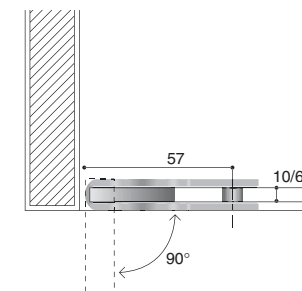
CF0305P / C0

materiale
cerniera in metallo
pressofuso
guarnizioni in politene
perno, molle
e grani in acciaio
bussola in nylon

finiture
cromo lucido
cromo satinato
dorato

material
die-cast metal hinge
polythene seals
pin, springs and dowels
made from steel
nylon bush

finishes
polished chrome
satin-finish chrome
gold



CF0305P / A0

Per vetro spessore mm 6
For glass 6 mm thick

CF0305P / G

Per vetro spessore mm 10
For glass 10 mm thick

CF0305P / B0

Per vetro spessore mm 6
For glass 6 mm thick

CF0305P / C0

Per vetro spessore mm 6
For glass 6 mm thick