



Movimenti per ante
Wing movements
Compases para muebles

Acciaio e zama nichelati
Steel and zinc alloy, nickel-plated
Acero y zamak niquelados



600
601
602

Attacco per anta legno
Fitting for wood flap
Enganche para puertas de madera

Dx.	Sx.		
SF00600DNIK00	SF00600SNIK00	90°	10
SF00601DNIK00	SF00601SNIK00	90°	10
SF00602DNIK00	SF00602SNIK00	90°	10

600AL
601AL
602AL

Attacco per anta alluminio
Fitting for aluminium flap
Enganche para puertas de aluminio

Dx.	Sx.		
SF00600DNIKAL	SF00600SNIKAL	90°	10
SF00601DNIKAL	SF00601SNIKAL	90°	10
SF00602DNIKAL	SF00602SNIKAL	90°	10

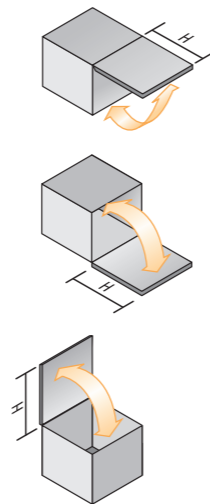
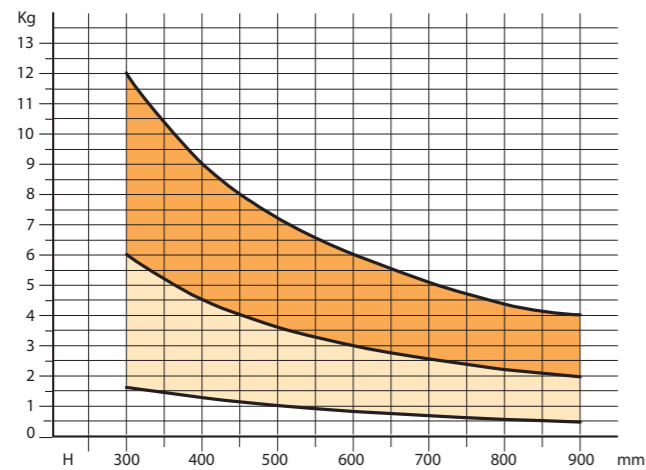


Vite di regolazione
Adjusting screw
Tornillo de ajuste

Dimensioni di applicazione - Application dimensions - Dimensiones de aplicación

1 snodo frenante
1 braking joint
1 compas

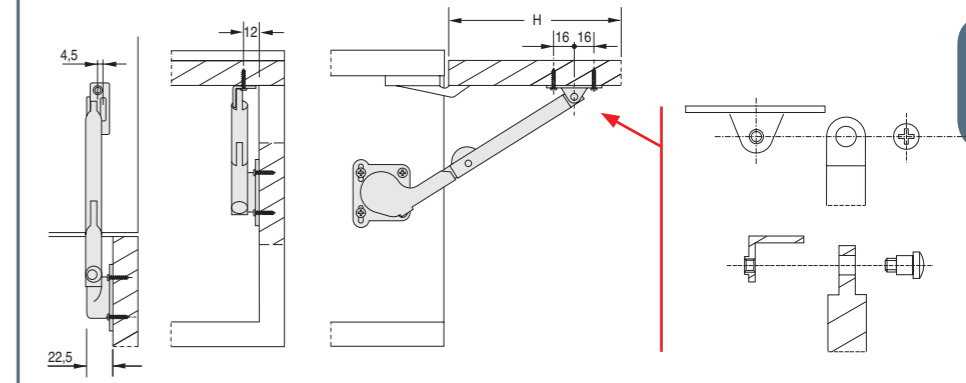
2 snodi frenanti
2 braking joints
2 compases



Movimenti per ante
Wing movements
Compases para muebles

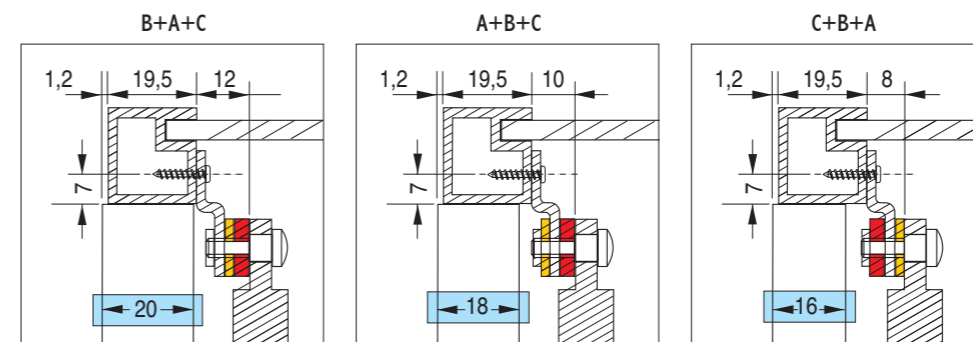
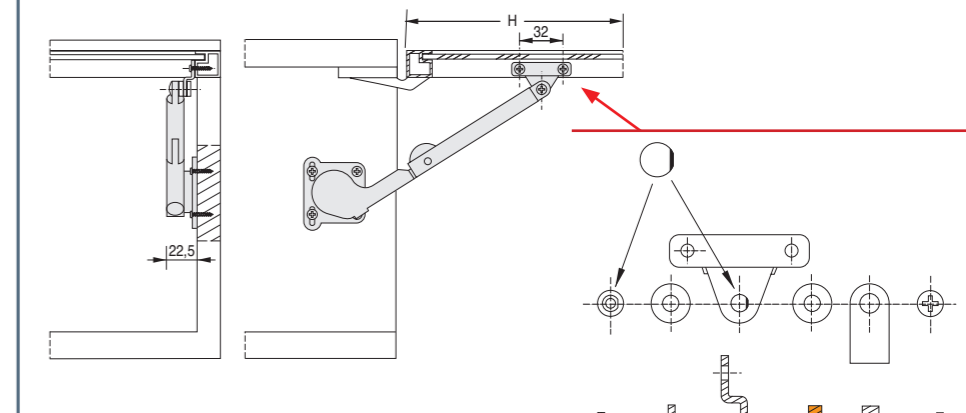
600

Attacco per anta legno
Fitting for wood flap
Enganche para puertas de madera

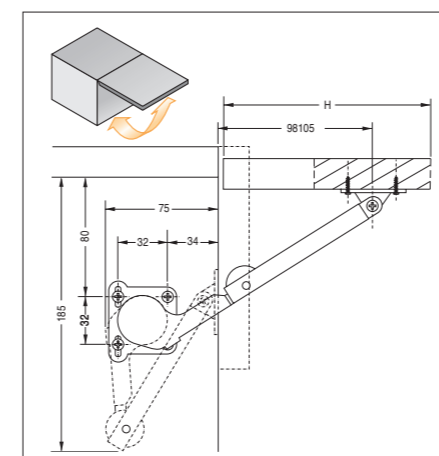


600AL

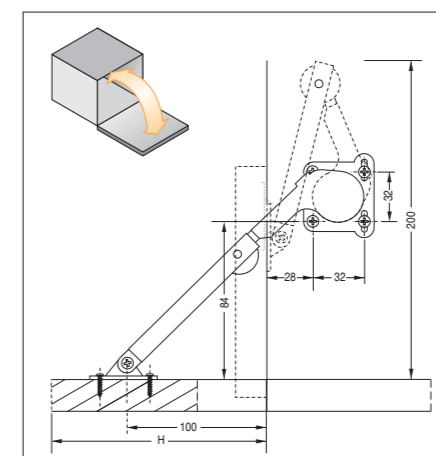
Attacco per anta alluminio
Fitting for aluminium flap
Enganche para puertas de aluminio



600



601



602

